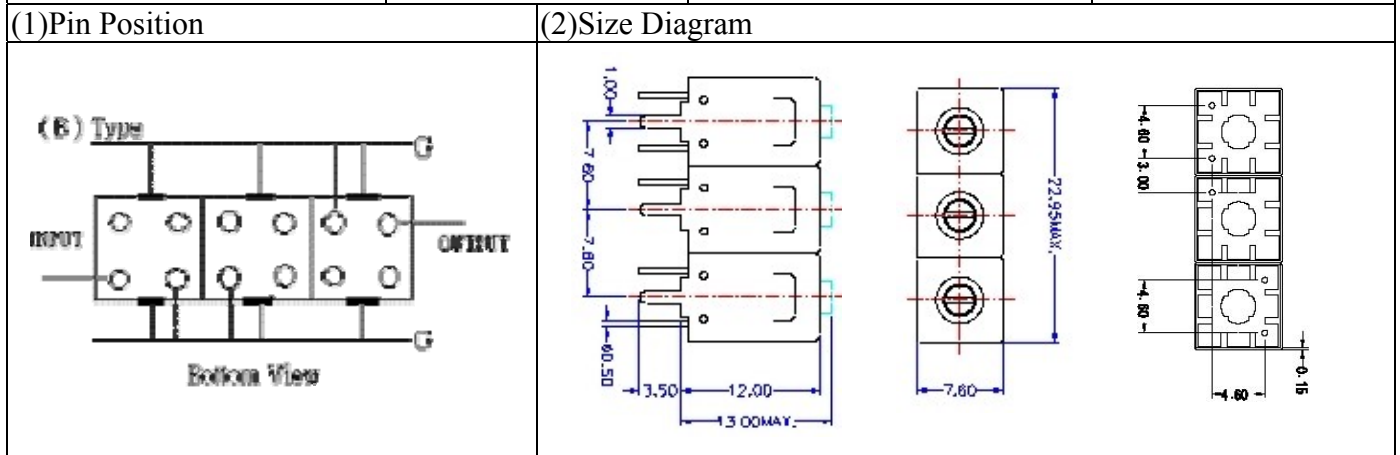


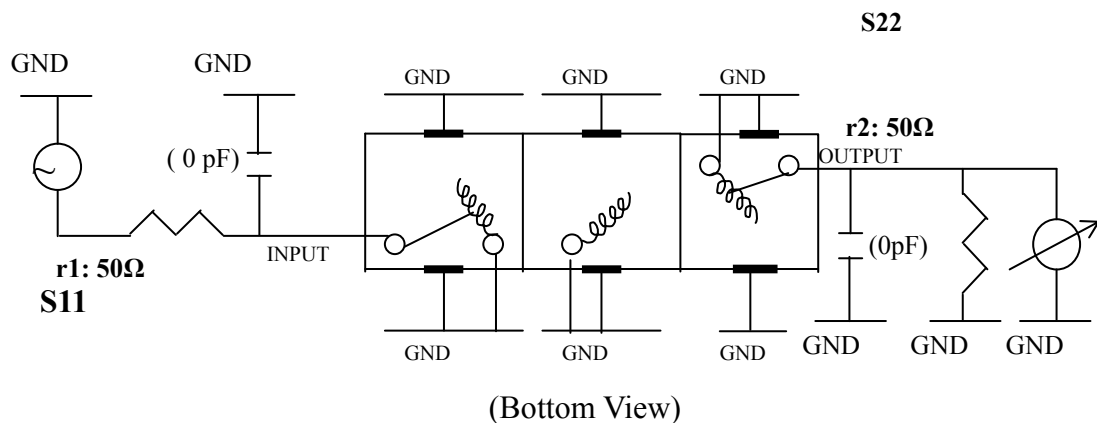
# VHF UHF Helical Filter Specification Sheet

Customer Name		Temwell's Part No.	TT63218B1-128M
Approval No. /dated	0901064CD	Customer's Print Name.	63218B1 128M
Work Instruction No.	200901064CD	Date	Jan.23 .2009



(3) Electric Characteristic					
Item		Specify		Performance	
Center Freq.(Fo) +/- 0.5 %		128 MHz		128 MHz	
Tunable Range:		128±2 MHz		128±2 MHz	
Insertion Loss		Typ. 2.0 dB		0.73 dB	
-3 dB Bandwidth		Typ. 30 MHz		32.5 MHz	
Sensitivity (Attenuation)	Fo - (40) MHz	Typ. 29 dBc		32 dBc	
	Fo + (40) MHz	Typ. 22 dBc		25 dBc	
	Fo - ( ) MHz	Typ. dBc		dBc	
	Fo + ( ) MHz	Typ. dBc		dBc	
Return Loss		Min. 12 dB		24.2 dB	
Ripple		< 1 dB		dB	
Impedance		In / Out : 50 Ω		In / Out : 50 Ω	
(4) Torque for Tuning Screw				> 100gf • cm	
(5) Temperature Condition:					
Operating Temperature		0°C ~ +60°C			
Storage Temperature		-20°C ~ +70°C			
(6) Input Power		> 1Watt			

(7) Measuring Circuit: ※Easy to match Impedance S11/S22 50Ω by parallel with about(0pF) / (0pF).

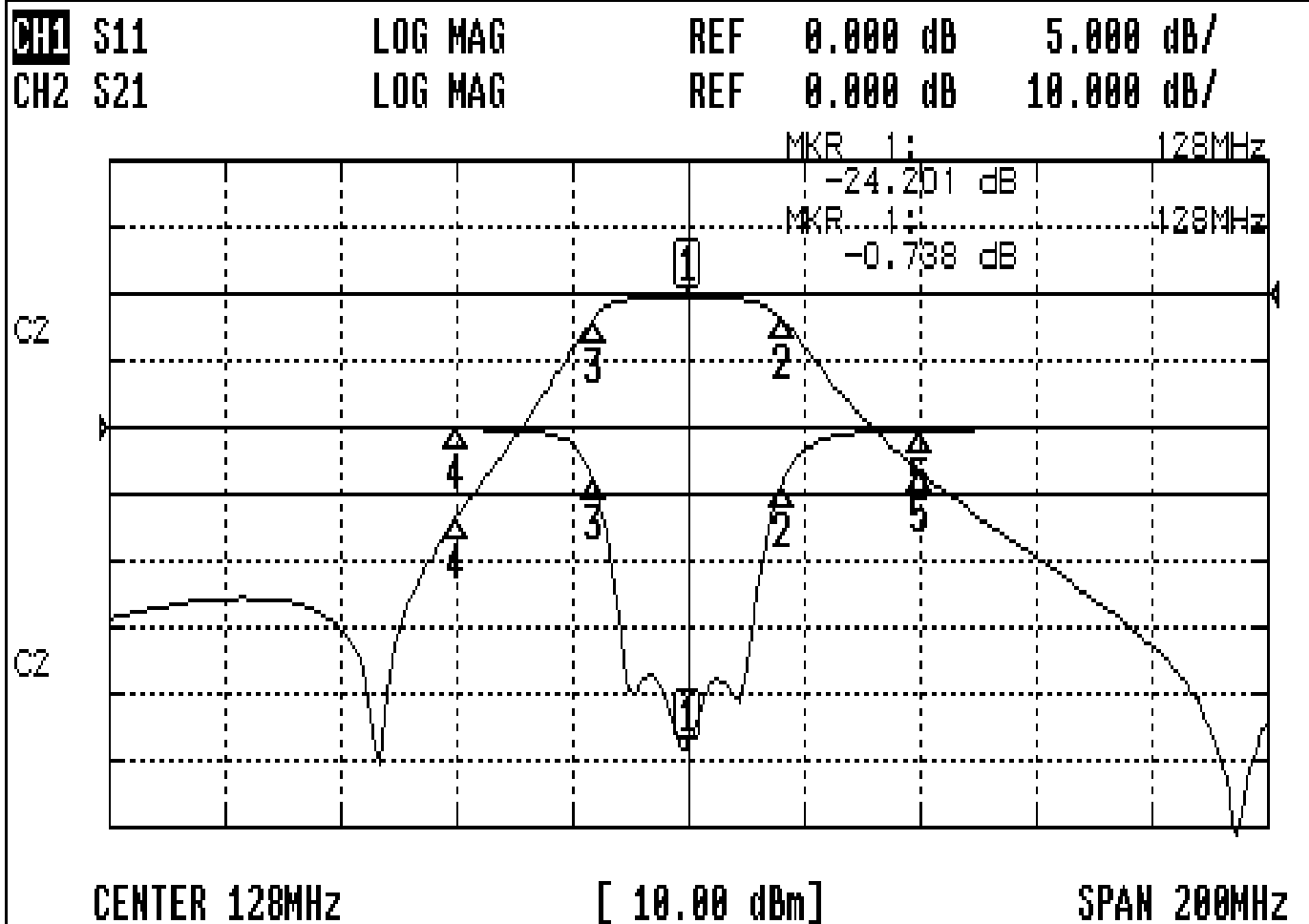


Approval	Supervisor	Designer	Aperture size
C.Y.Chang	C.K.Chang	C.H.Yeh	7H3S(4*7.5)(7.59) (7H024LB6.5)

TEMWELL CORPORATION

# Performance-TT63218B1-128M

## 200901064CD



### CH1 MARKER LIST

1:	128.000MHz	-24.201 dB
2:	144.166MHz	-4.272 dB
3:	111.666MHz	-3.953 dB
4:	88.000MHz	-0.120 dB
5:	168.000MHz	-0.217 dB

### CH2 MARKER LIST

1:	128.000MHz	-0.737 dB
2:	144.166MHz	0.697 dB
3:	111.666MHz	0.000 dB
4:	88.000MHz	-3.686 dB
5:	168.000MHz	-26.530 dB