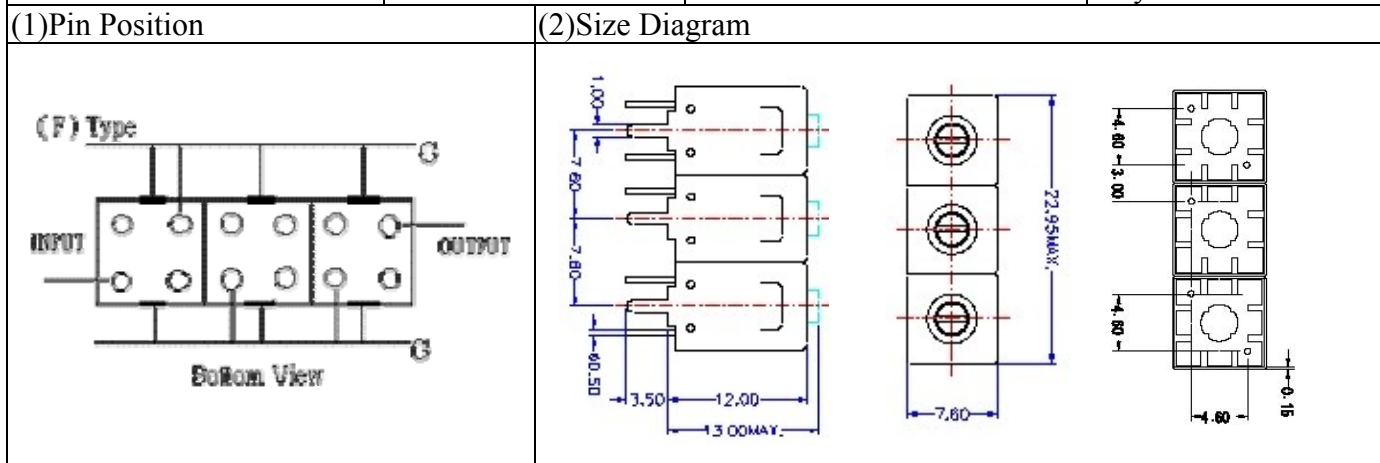


# VHF UHF Helical Filter Specification Sheet

Customer Name		Temwell's Part No.	TT63244F-172M
Approval No. /dated	0805038CD	Temwell's print name	63244F 172M
Work Instruction No.	0805038CD	Date	May.13.2008



### (3) Electric Characteristic

Item	Specify	Performance	
Center Freq.(Fo) +/- 0.5 %	172 MHz	172 MHz	
Tunable Range:	172±5 MHz	172±5 MHz	
Insertion Loss	Typ. 3.0 dB	2.69 dB	
-3 dB Bandwidth	Typ. 7 MHz	8.5 MHz	
Sensitivity (Attenuation)	Fo - 20 MHz	Typ. 44 dBc	47 dBc
	Fo + 20 MHz	Typ. 38 dBc	41 dBc
	Fo - ( )MHz	Typ. dBc	dBc
	Fo +( )MHz	Typ. dBc	dBc
Return Loss	Min. 12 dB	21.9 dB	
Ripple	< 1 dB	dB	
Impedance	In / Out : 50 Ω	In / Out : 50 Ω	
(4) Torque for Tuning Screw	> 100gf · cm		

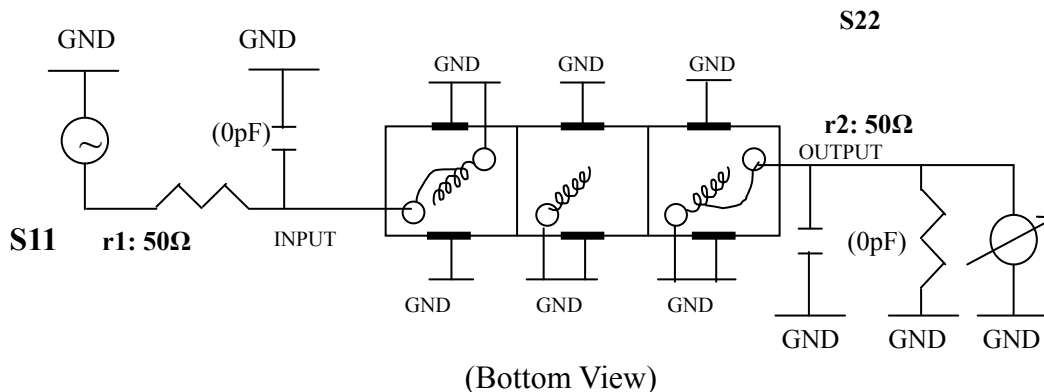
### (5) Temperature Condition:

Operating Temperature	0°C ~ +60°C
Storage Temperature	-20°C ~ +70°C

### (6) Input Power

> 1Watt

### (7) Measuring Circuit: ※Easy to match Impedance S11/S22 50Ω by parallel with about( 0pF) / (0pF).



Approval	Supervisor	Designer	Aperture size
C.Y.Chang	C.S.Chang	C.S.Chang	7H3(4*6.5F) 7H024RB4

TEMWELL CORPORATION

# Performance-TT63244F-172M

## 0805038CD

