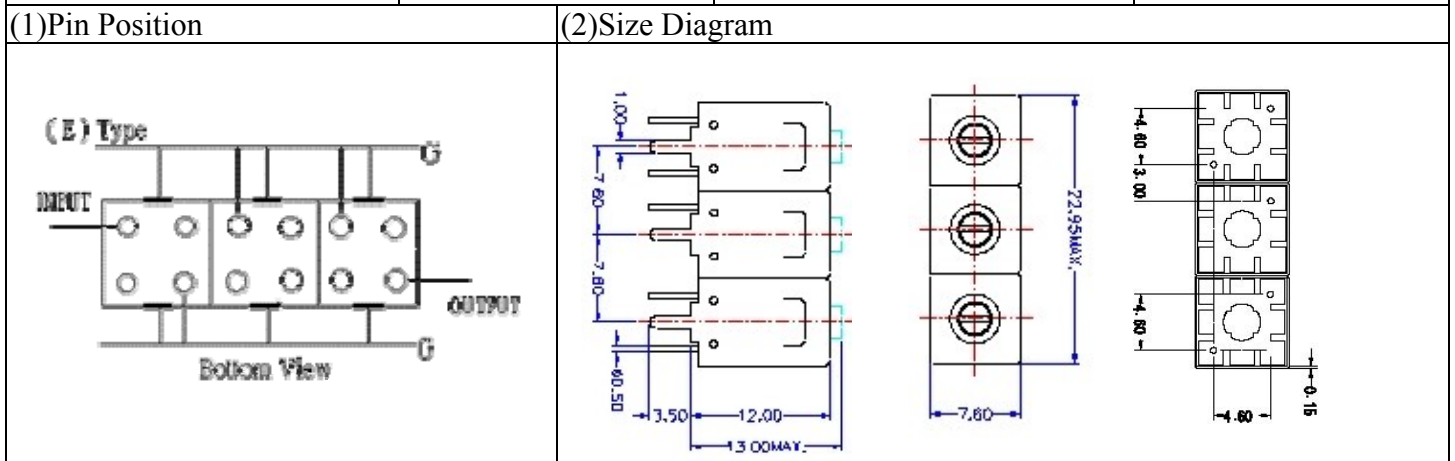


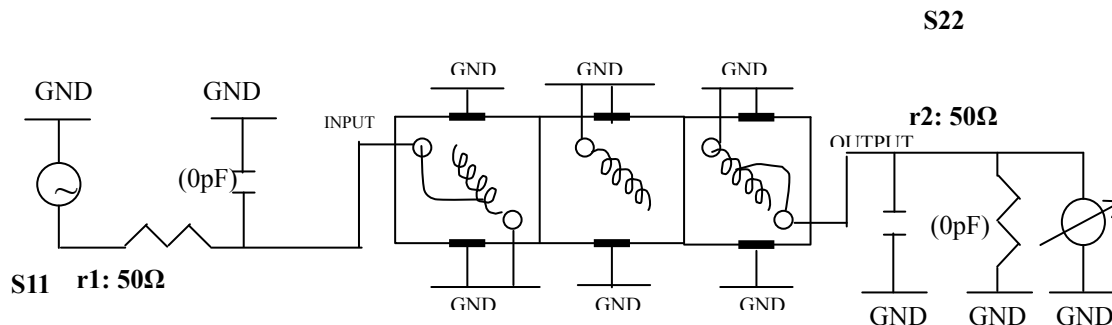
VHF UHF Helical Filter Specification Sheet

| | | | |
|----------------------|-----------|-----------------------|---------------|
| Customer Name | | Temwell's Part No. | TT63247E-156M |
| Approval No. /dated | 0806107CD | Temwell's print name. | 146~165M |
| Work Instruction No. | 0806107CD | Date | Jun.27.2008 |



| (3) Electric Characteristic | | | |
|------------------------------|-------------|-----------------|-----------------|
| Item | | Specify | Performance |
| Center Freq.(Fo) +/- 0.5 % | | 156 MHz | 156 MHz |
| Tunable Range: | | 156±2 MHz | 156±2 MHz |
| Insertion Loss | | Typ. 1.5 dB | 0.69 dB |
| -3 dB Bandwidth | | Typ. 38 MHz | 39.3 MHz |
| Sensitivity (Attenuation) | Fo - 50 MHz | Typ. 30 dBc | 33 dBc |
| | Fo + 50 MHz | Typ. 25 dBc | 28 dBc |
| | Fo - ()MHz | Typ. dBc | dBc |
| | Fo +()MHz | Typ. dBc | dBc |
| Return Loss | | Min. 12 dB | 27.2 dB |
| Ripple | | < 1 dB | dB |
| Impedance | | In / Out : 50 Ω | In / Out : 50 Ω |
| (4) Torque for Tuning Screw | | > 100gf • cm | |
| (5) Temperature Condition: | | | |
| Operating Temperature | | 0°C ~ +60°C | |
| Storage Temperature | | -20°C ~ +70°C | |
| (6) Input Power | | > 1Watt | |

(7) Measuring Circuit: ※Easy to match Impedance S11/S22 50Ω by parallel with about(0pF) / (0 pF).



(Bottom View)

| | | | |
|-----------|------------|-----------|--------------------------|
| Approval | Supervisor | Designer | Aperture size |
| C.Y.Chang | C.S.Chang | C.S.Chang | 7H3(4*7.5) 7H024RB6.5 |

TEMWELL CORPORATION

TEMWELL

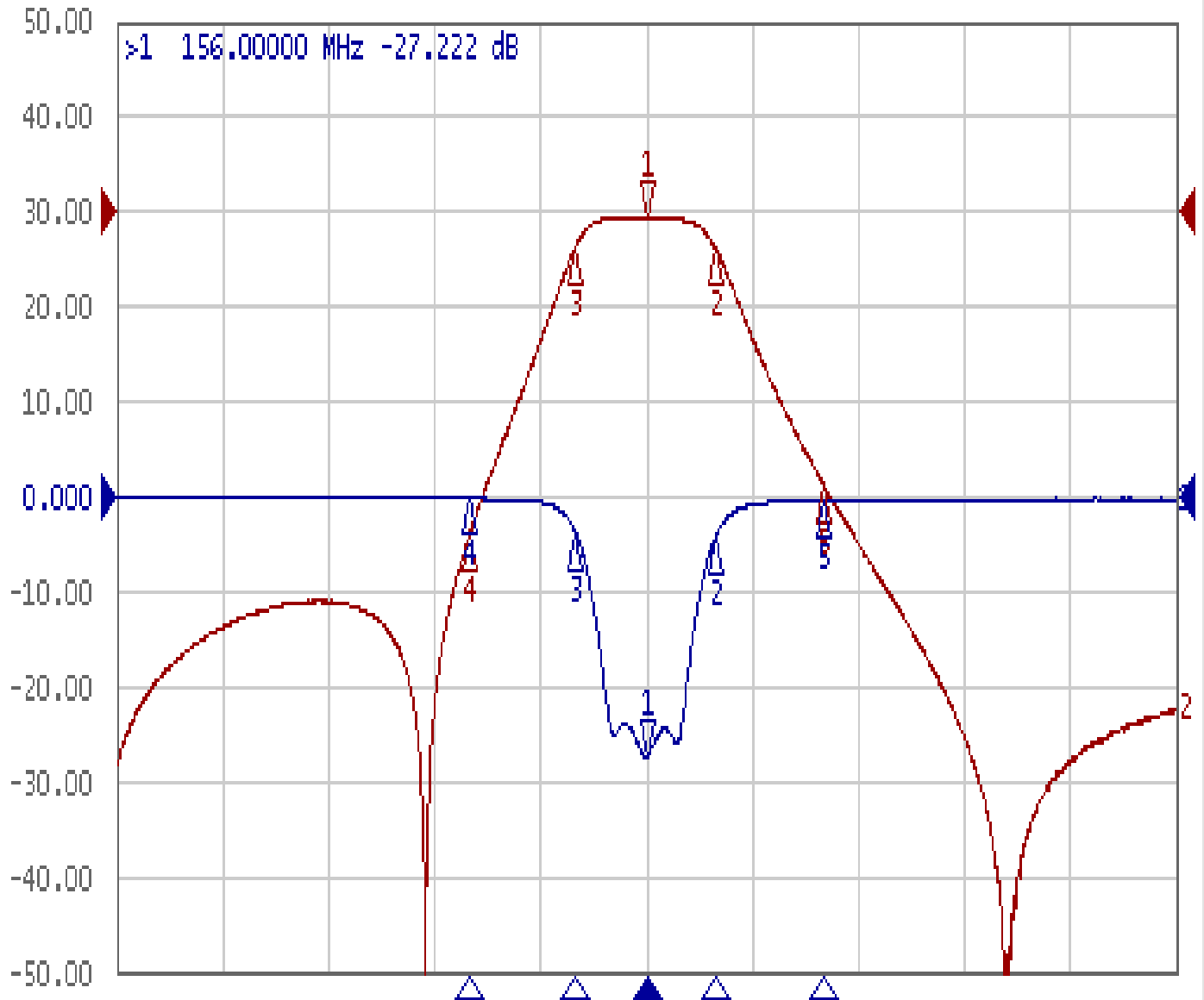
Form10-7H3E Vision D

RP(C.S.C.S.Chang)

Performance-TT63247E-156M

0806107CD

▶ Tr1 S11 Log Mag 10.00dB/ Ref 0.000dB [F3]
Tr2 S21 Log Mag 10.00dB/ Ref 0.000dB [F3]



1 Center 156 MHz

IFBW 10 kHz

Span 300 MHz

Cl !

| | | | | | | | |
|-----|-----|-----|----|-----------|-----|---------|----|
| Ch1 | Tr1 | S11 | >1 | 156.00000 | MHz | -27.222 | dB |
| Ch1 | Tr1 | S11 | 2 | 175.26600 | MHz | -4.3184 | dB |
| Ch1 | Tr1 | S11 | 3 | 135.98700 | MHz | -3.8375 | dB |
| Ch1 | Tr1 | S11 | 4 | 106.00000 | MHz | -0.1842 | dB |
| Ch1 | Tr1 | S11 | 5 | 206.00000 | MHz | -0.3422 | dB |
| Ch1 | Tr2 | S21 | 1 | 156.00000 | MHz | -0.6927 | dB |
| Ch1 | Tr2 | S21 | 2 | 175.26600 | MHz | -3.6652 | dB |
| Ch1 | Tr2 | S21 | 3 | 135.98700 | MHz | -3.5811 | dB |
| Ch1 | Tr2 | S21 | 4 | 106.00000 | MHz | -33.750 | dB |
| Ch1 | Tr2 | S21 | 5 | 206.00000 | MHz | -28.665 | dB |