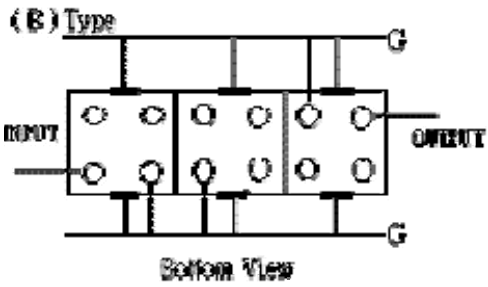
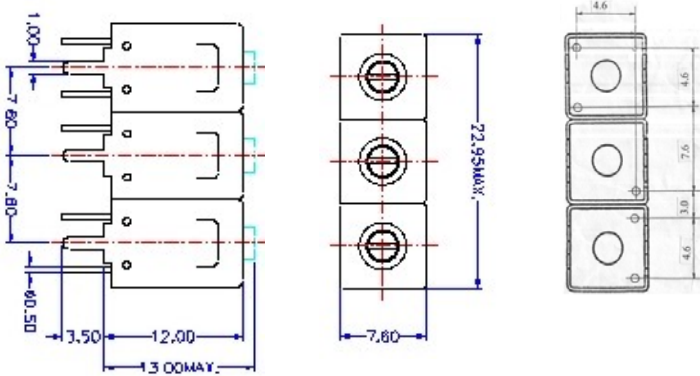


VHF UHF Helical Filter Specification Sheet

Customer Name		Temwell's Part No.	TT67399B-156M
Approval No. /dated	2008156DC	Acceptable Specify Fo. Range	146~165MHz
Work Instruction No.	2008156DC	Date	Sep.02.2000

(1)Pin Position	(2)Size Diagram
	

(3)Electric Character

Item	Specify	Performance	
Center Freq.(Fo) +/- 0.5 %	156 MHz	156 MHz	
Tunable Range	156±2 MHz	156±2 MHz	
Insertion Loss	Typ. 2.5 dB	1.4 dB	
-3 dB Bandwidth	Typ. 36 MHz	37 MHz	
Sensitivity (Attenuation)	Fo - 100 MHz	Typ. 44 dBc	47 dBc
	Fo + 100 MHz	Typ. 45 dBc	48 dBc
	Fo - ()MHz	Typ. dBc	dBc
	Fo +()MHz	Typ. dBc	dBc
Return Loss	Min. 12 dB	15 dB	
Ripple	< 1 dB	dB	
Impedance	In / Out : 50 Ω	In / Out : 50 Ω	

(4)Torque for Tuning Screw > 100gf • cm

(5)Temperature Condition:

Operating Temperature	0°C ~ +60°C
Storage Temperature	-20°C ~ +70°C

(6)Input Power > 1Watt

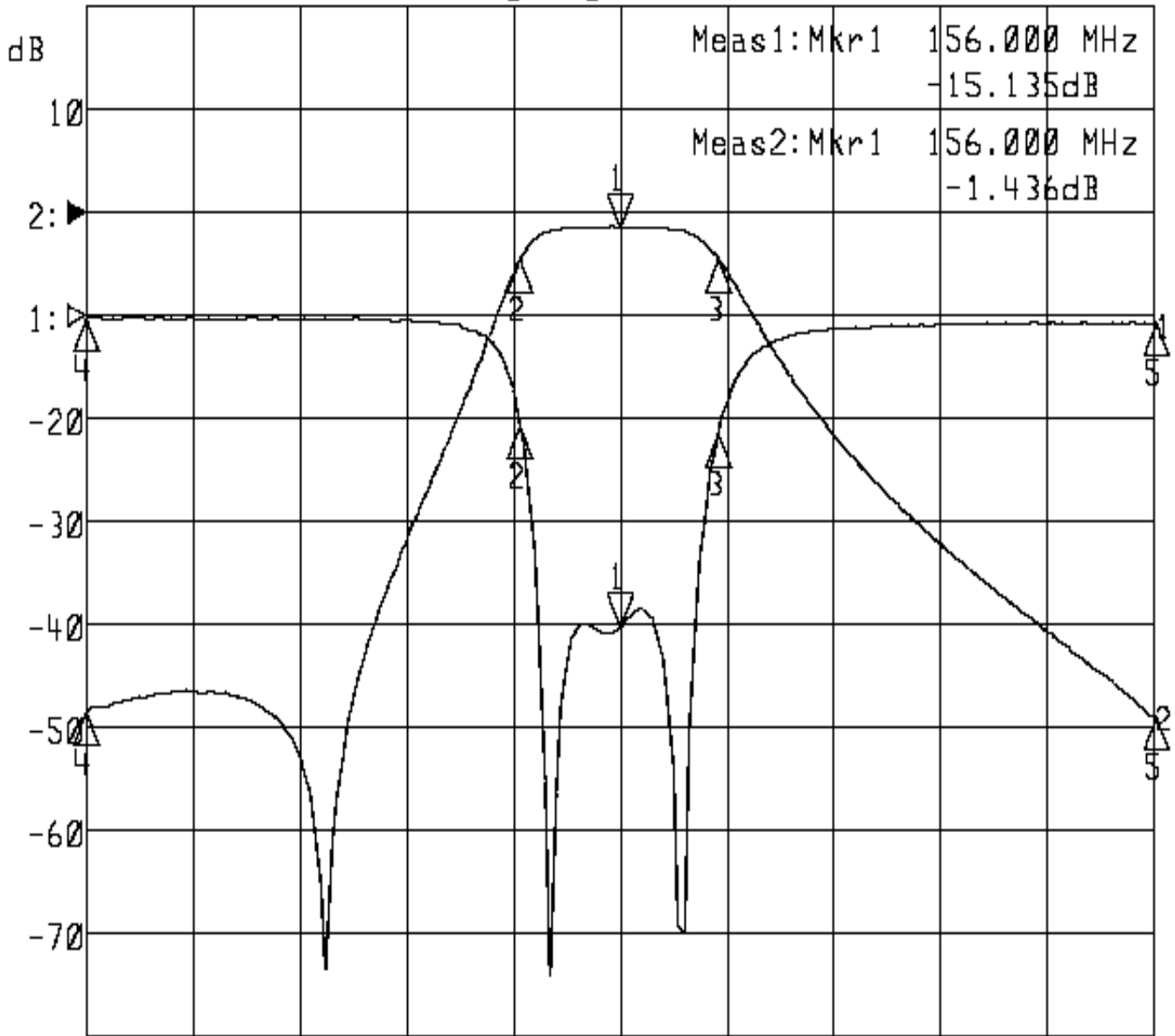
Approval	Supervisor	Designer	Aperture size
C.Y.Chang	C.S.Chang	C.S.Chang	7H3S(4*8.0) 7H00LB6

TEMWELL CORPORATION

Performance-TT67399B-156M

2008156DC

▷1:S11 Refl Port1 Log Mag 5.0 dB/ Ref 0.00 dB C
▶2:S21 Fwd Trans Log Mag 10.0 dB/ Ref 0.00 dB C



Center 156.000 MHz

Span 200.000 MHz

1:Mkr (MHz)	dB	2:Mkr (MHz)	dB
1> 156.0000	-15.135	1> 156.0000	-1.436
2: 137.4000	-5.372	2: 137.4000	-4.472
3: 174.3333	-5.795	3: 174.3333	-4.417
4: 56.0000	-0.139	4: 56.0000	-48.434
5: 256.0000	-0.432	5: 256.0000	-48.980