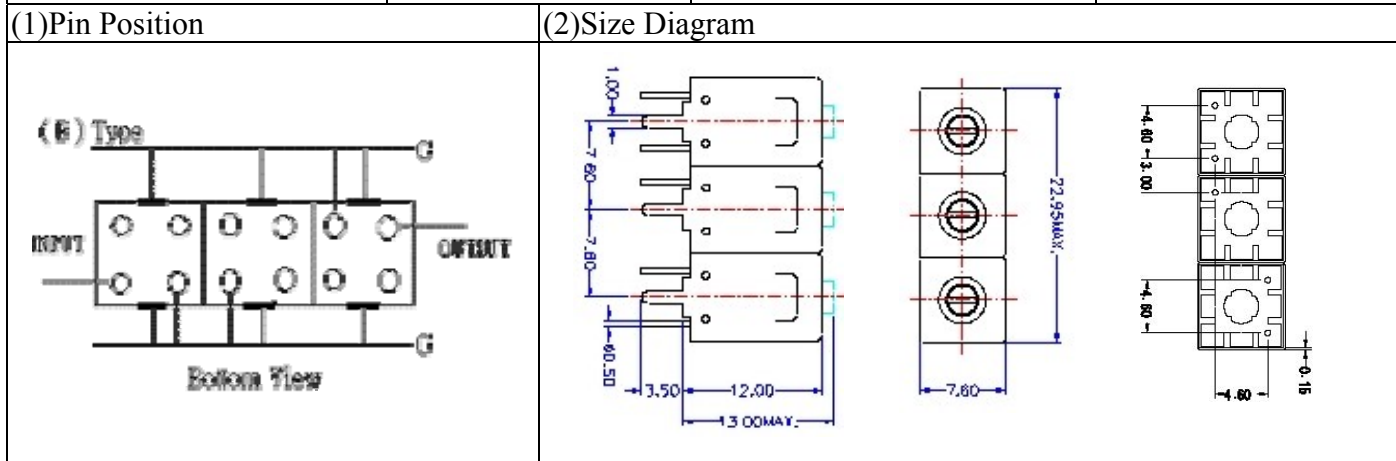


VHF UHF Helical Filter Specification Sheet

Customer Name		Temwell's Part No.	TT67427B1-78M
Approval No. /dated	0801008APR	Customer's Print Name.	76~85MHz
Work Instruction No.	0801008CD	Date	Jan.15.2008



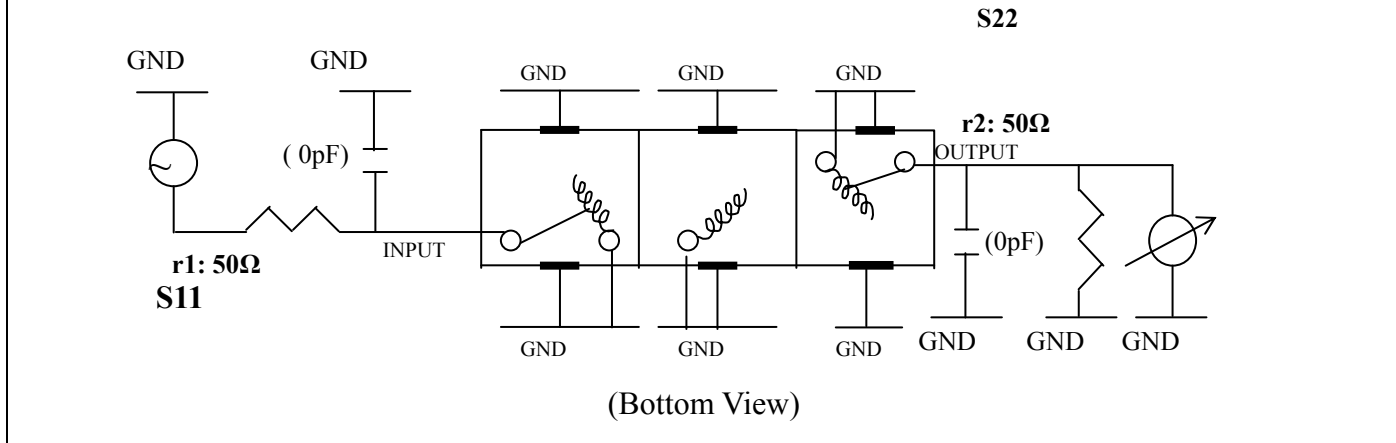
(3) Electric Characteristic		Item	Specify	Performance
		Center Freq.(Fo) +/- 0.5 %	78 MHz	78 MHz
		Tunable Range:	78±2 MHz	78±2 MHz
		Insertion Loss	Typ. 2.5 dB	1.46 dB
		-3 dB Bandwidth	Typ. 19 MHz	20.0 MHz
Sensitivity (Attenuation)	Fo - 50 MHz	Typ. 42 dBc		47 dBc
	Fo + 50 MHz	Typ. 59 dBc		63 dBc
	Fo - ()MHz	Typ. dBc		dBc
	Fo +()MHz	Typ. dBc		dBc
		Return Loss	Min. 12 dB	39.1 dB
		Ripple	< 1 dB	dB
		Impedance	In / Out : 50 Ω	In / Out : 50 Ω

(4) Torque for Tuning Screw > 100gf · cm

(5) Temperature Condition:

Operating Temperature	0°C ~ +60°C
Storage Temperature	-20°C ~ +70°C

(6) Input Power > 1Watt

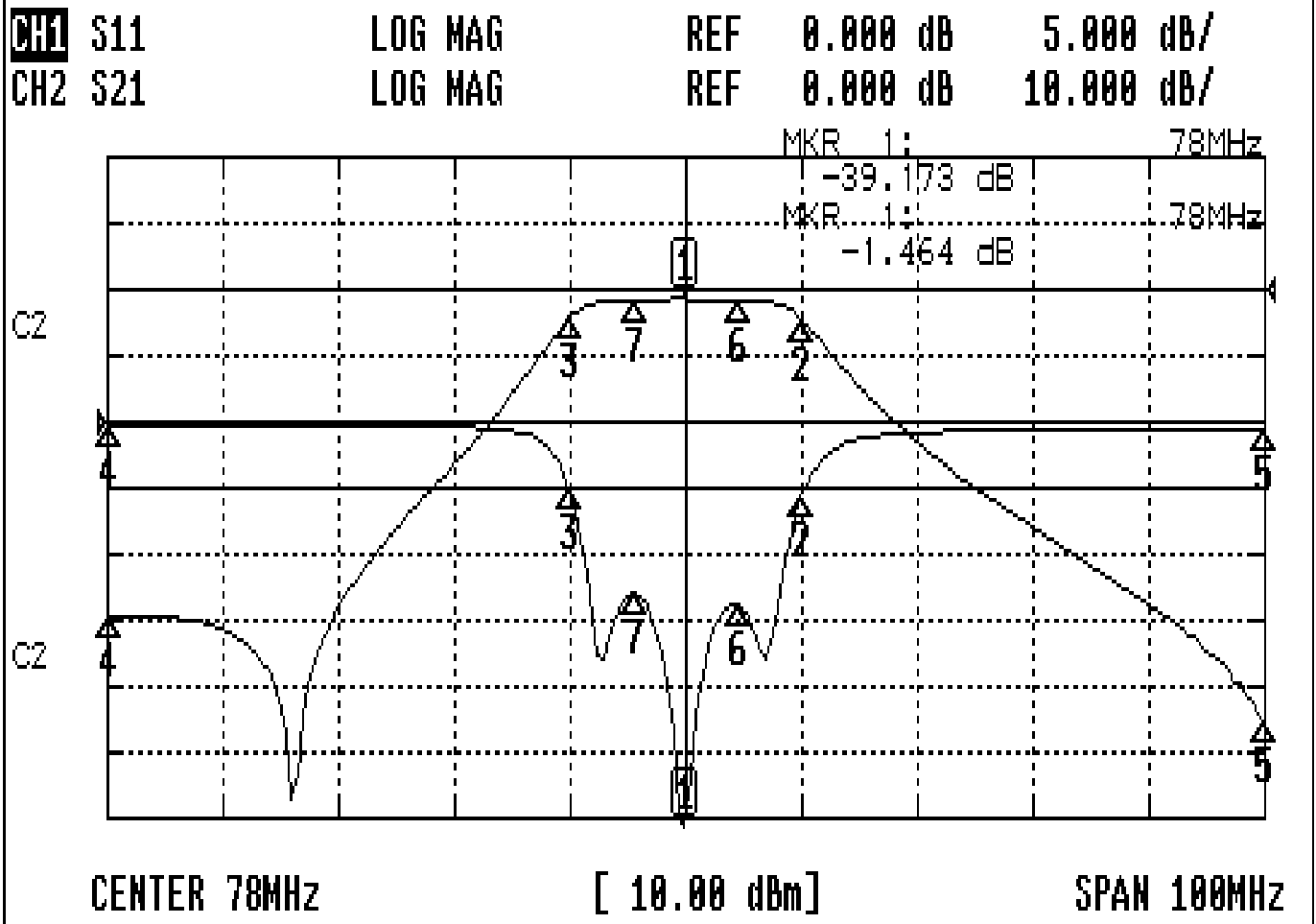


Approval C.Y.Chang	Supervisor C.S.Chang	Designer P.H.Chiang	Aperture size 7H3(4*6.5)F 7H00LB6
-----------------------	-------------------------	------------------------	---

TEMWELL CORPORATION

Performance-TT67427B1-78M

0801008CD



CH1 MARKER LIST

Marker	Frequency (MHz)	Magnitude (dB)
1:	78.000MHz	-39.173 dB
2:	88.000MHz	-5.709 dB
3:	68.000MHz	-5.012 dB
4:	28.000MHz	-0.204 dB
5:	128.000MHz	-0.467 dB
6:	82.666MHz	-13.860 dB
7:	73.583MHz	-13.063 dB

CH2 MARKER LIST

Marker	Frequency (MHz)	Magnitude (dB)
1:	78.000MHz	-1.463 dB
2:	88.000MHz	-4.463 dB
3:	68.000MHz	-4.346 dB
4:	28.000MHz	-4.933 dB
5:	128.000MHz	-5.033 dB
6:	82.666MHz	-1.755 dB
7:	73.583MHz	-1.670 dB