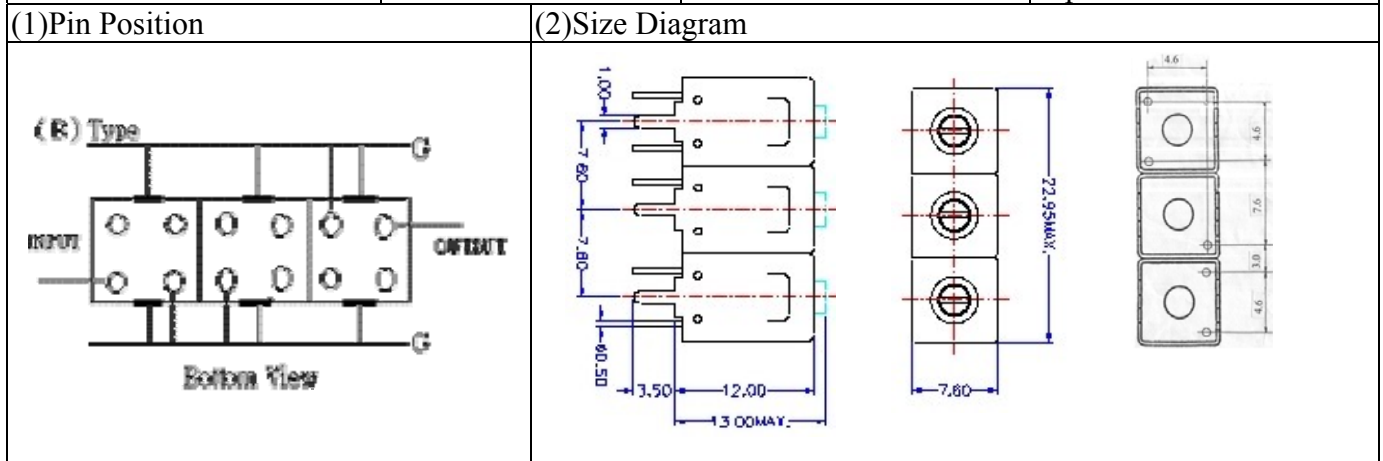


VHF UHF Helical Filter Specification Sheet

Customer Name		Temwell's Part No.	TT67462B-455M
Approval No. /dated	20103041DC	Acceptable Specify Fo Range	401~455 MHz
Work Instruction No.	20103041DC	Date	Sep.13.2006



(3) Electric Character

Item	Specify	Performance	
Center Freq.(Fo) +/- 0.5 %	455 MHz	455 MHz	
Tunable Range	455±5 MHz	455±5 MHz	
Insertion Loss	Typ. 5.0 dB	3.64 dB	
-3 dB Bandwidth	Typ. 7 MHz	9.3 MHz	
Sensitivity (Attenuation)	Fo - 40 MHz	Typ. 52 dBc	55 dBc
	Fo + 50 MHz	Typ. 47 dBc	50 dBc
	Fo - ()MHz	Typ. dBc	dBc
	Fo +()MHz	Typ. dBc	dBc
Return Loss	Min. 12 dB	21.7 dB	
Ripple	< 1 dB	dB	
Impedance	In / Out : 50 Ω	In / Out : 50 Ω	

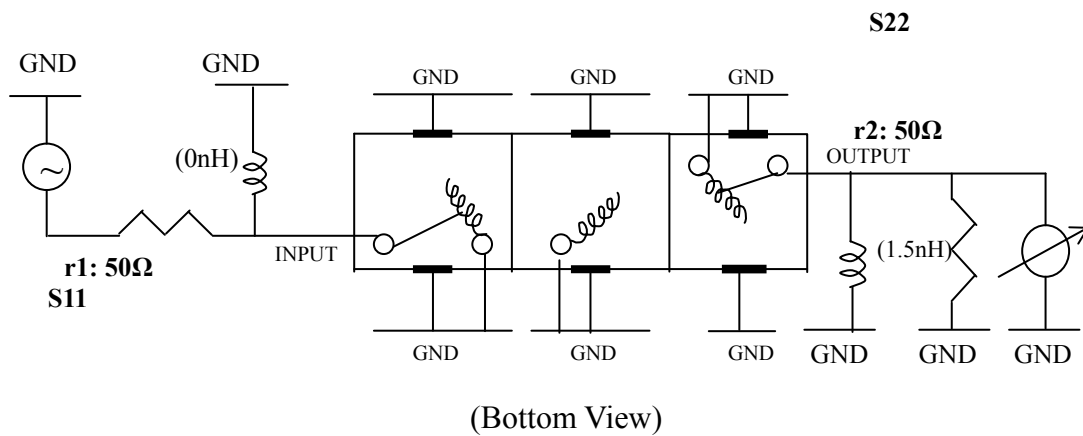
(4) Torque for Tuning Screw > 100gf · cm

(5) Temperature Condition:

Operating Temperature	0°C ~ +60°C
Storage Temperature	-20°C ~ +70°C

(6) Input Power > 1Watt

(7) Measuring Circuit: ※Easy to match Impedance S11/S22 50Ω/ by parallel with about(0nH) / (1.5nH).

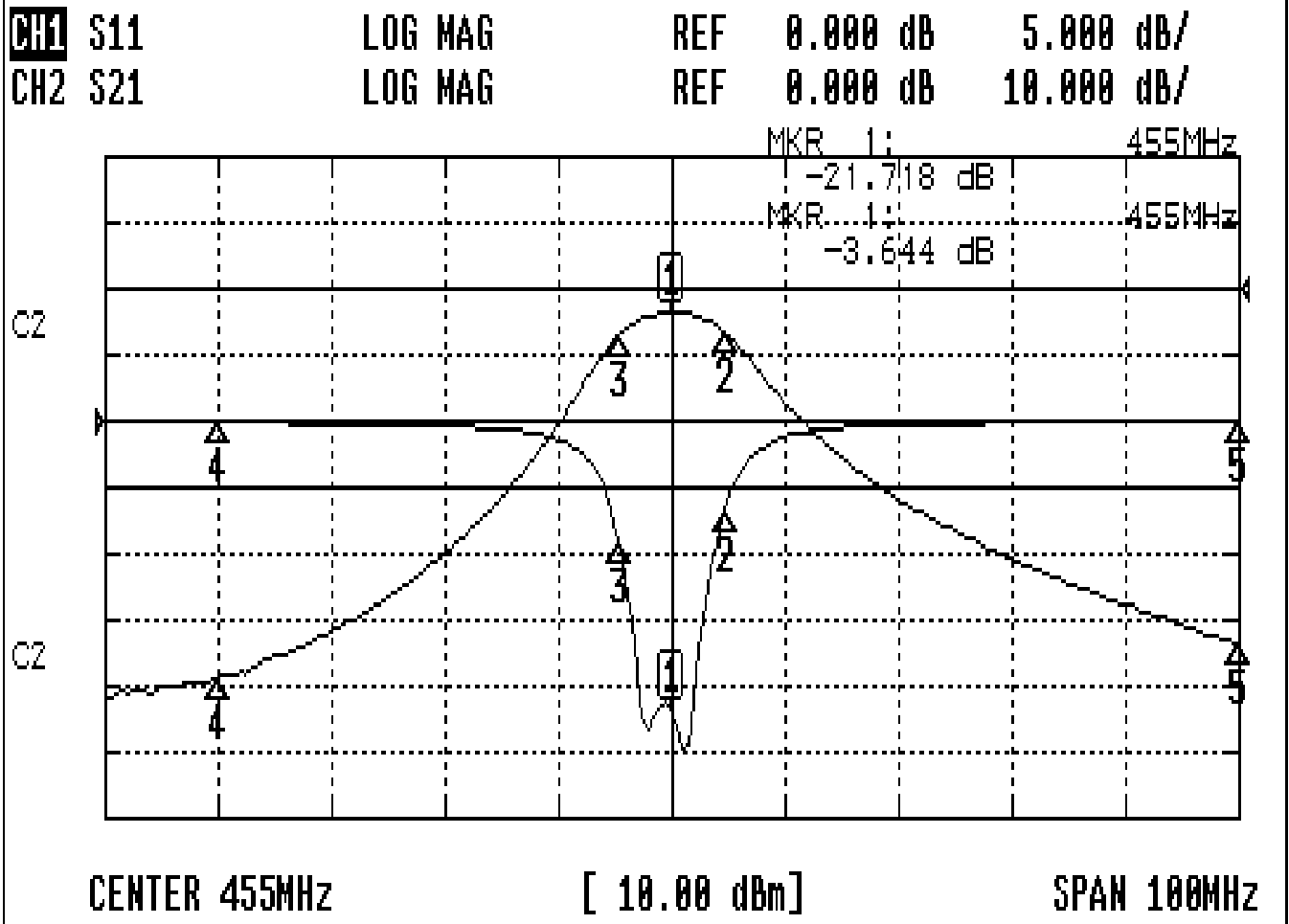


Approval	Supervisor	Designer	Aperture size
C.Y.Chang	C.S.Chang	P.H.Chiang	7H3S(4*4.65)(4.68)F 7H046RB4 聚 3

TEMWELL CORPORATION

Performance-TT67462B-455M

20103041DC



CH1 MARKER LIST

1:	455.000MHz	-21.718	dB
2:	459.750MHz	-6.641	dB
3:	450.416MHz	-9.127	dB
4:	415.000MHz	-0.120	dB
5:	505.000MHz	-0.063	dB

CH2 MARKER LIST

1:	455.000MHz	-3.644	dB
2:	459.750MHz	-3.582	dB
3:	450.416MHz	-3.644	dB
4:	415.000MHz	-3.434	dB
5:	505.000MHz	-3.685	dB