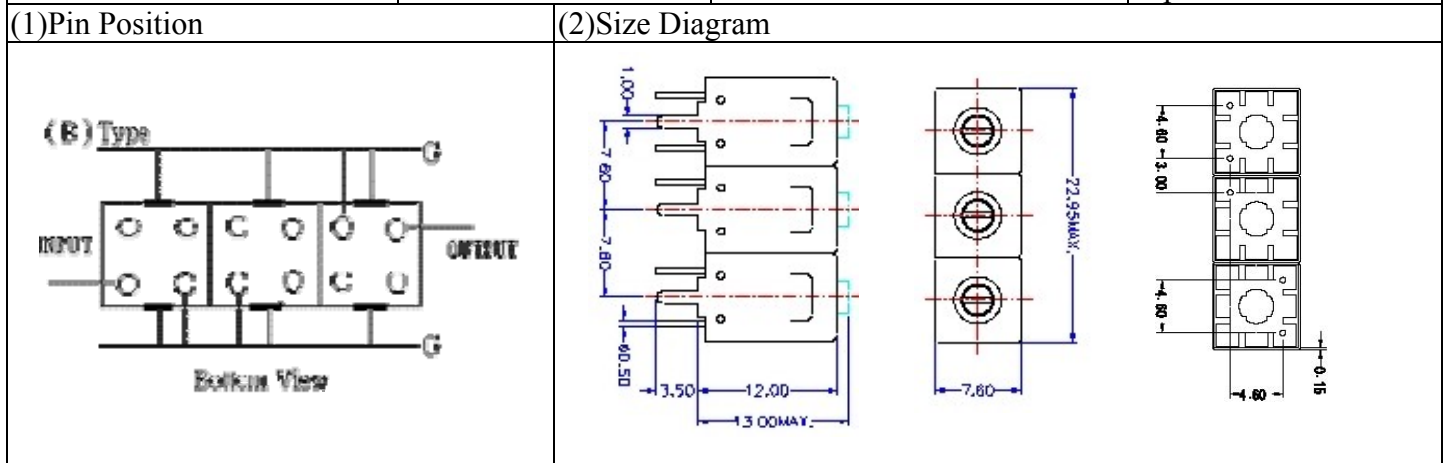


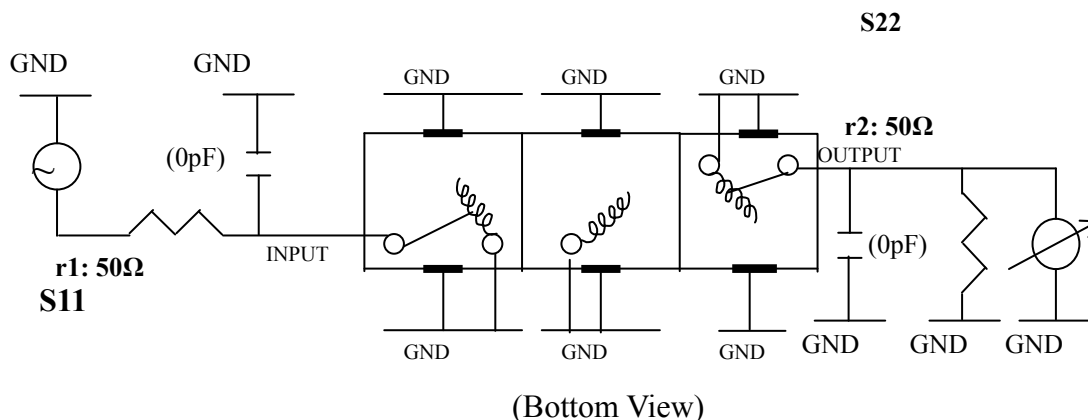
VHF UHF Helical Filter Specification Sheet

Customer Name		Temwell's Part No.	TT67487B-70M
Approval No. /dated	200809024APR	Temwell's Print name.	68~75MHZ
Work Instruction No.	200809024BD	Date	Sep.11.2008



(3) Electric Characteristic			
Item		Specify	Performance
Center Freq.(Fo) +/- 0.5 %		70 MHz	70 MHz
Tunable Range:		70 ± 2 MHz	70 ± 2 MHz
Insertion Loss		Typ. 3.0 dB	1.87 dB
-3 dB Bandwidth		Typ. 9 MHz	11.1 MHz
Sensitivity (Attenuation)	Fo - (20) MHz	Typ. 45 dBc	45 dBc
	Fo + (20) MHz	Typ. 37 dBc	37 dBc
	Fo - () MHz	Typ. dBc	dBc
	Fo + () MHz	Typ. dBc	dBc
Return Loss		Min. 12 dB	31.8 dB
Ripple		< 1 dB	dB
Impedance		In / Out : 50 Ω	In / Out : 50 Ω
(4) Torque for Tuning Screw		> 100gf · cm	
(5) Temperature Condition:			
Operating Temperature		0°C ~ +60°C	
Storage Temperature		-20°C ~ +70°C	
(6) Input Power		> 1Watt	

(7) Measuring Circuit: ※Easy to match Impedance S11/S22 50Ω by parallel with about(0pF) / (0pF).



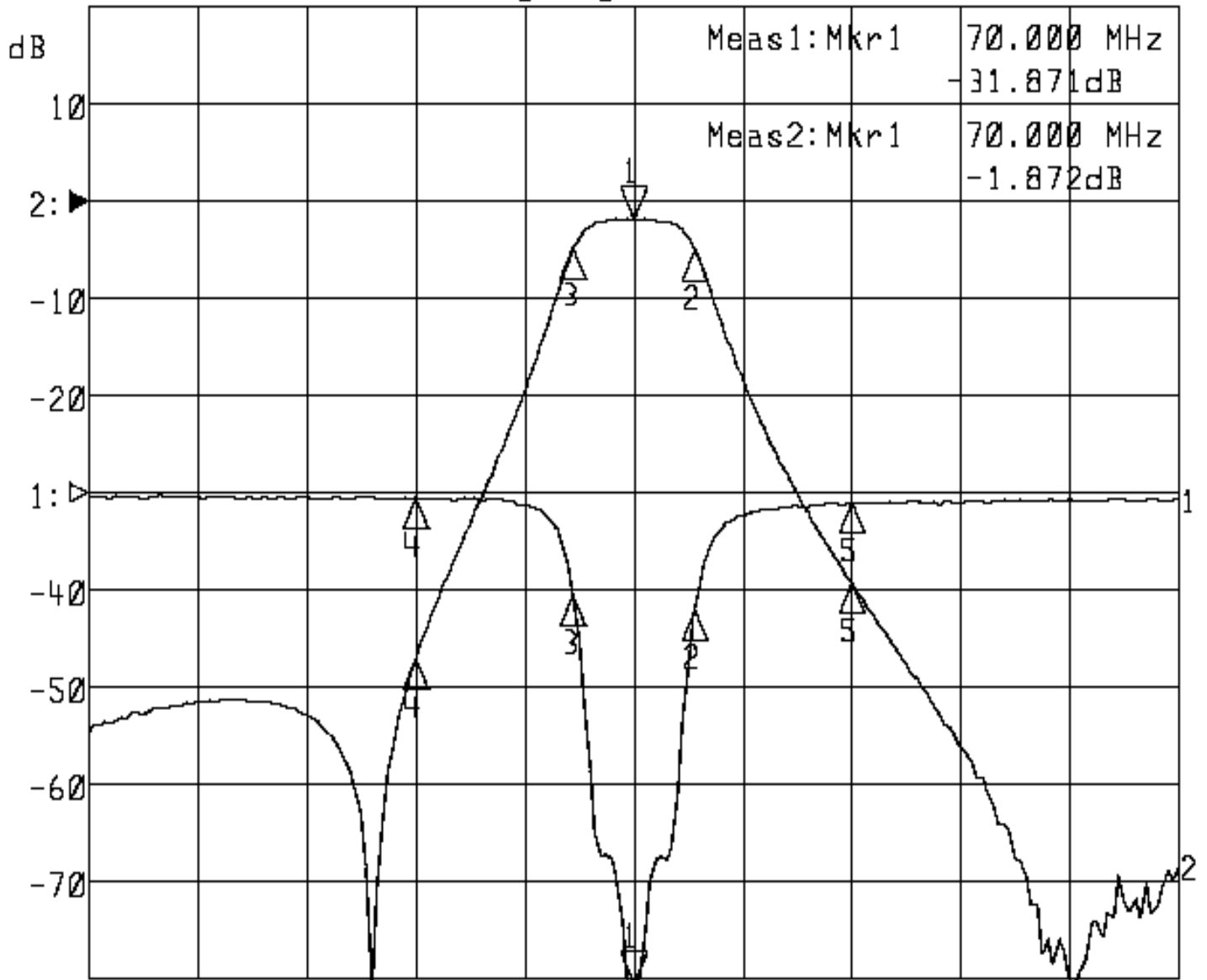
Approval	Supervisor	Designer	Aperture size
C.Y.Chang	C.S.Chang	Y.H.Yeh	7H3S(4*6.5F) (7H00LB6)

TEMWELL CORPORATION

Performance-TT67487B-70M

200809024BD

▶1:S11 Refl Port1 Log Mag 5.0 dB/ Ref 0.00 dB C
▶2:S21 Fwd Trans Log Mag 10.0 dB/ Ref 0.00 dB C



Center 70.000 MHz

Span 100.000 MHz

1:Mkr (MHz)	dB	2:Mkr (MHz)	dB
1> 70.0000	-31.871	1> 70.0000	-1.872
2: 75.6000	-6.007	2: 75.6000	-4.888
3: 64.5000	-5.245	3: 64.5000	-4.848
4: 50.0000	-0.204	4: 50.0000	-47.116
5: 90.0000	-0.530	5: 90.0000	-39.343