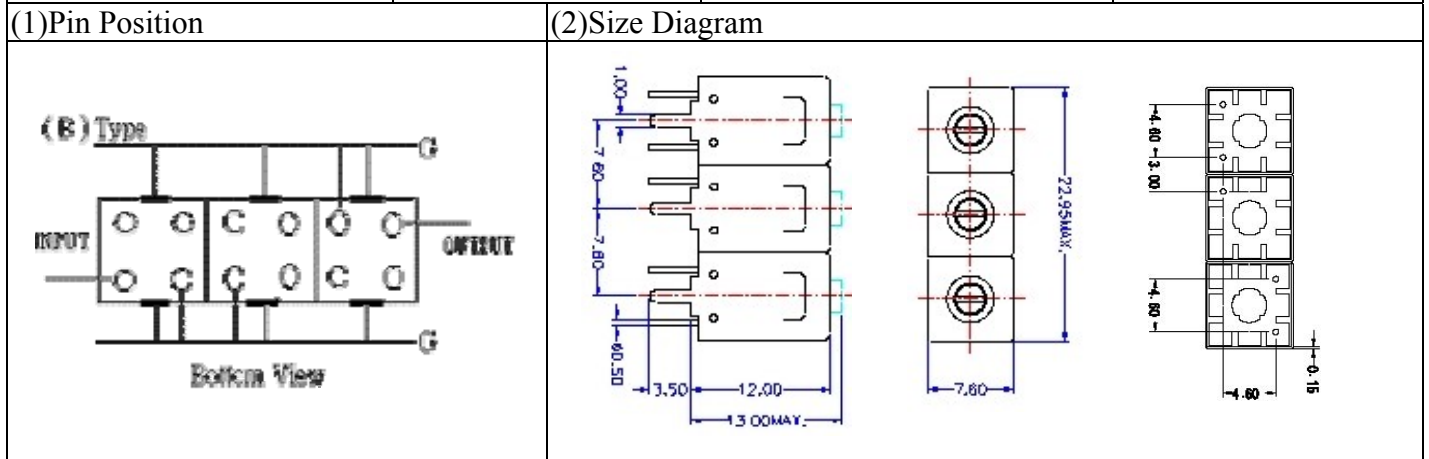


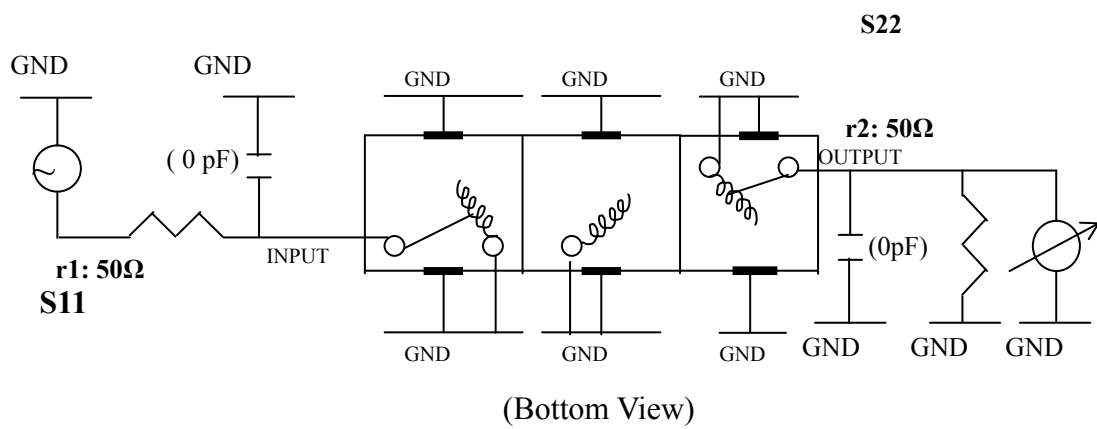
VHF UHF Helical Filter Specification Sheet

Customer Name		Temwell's Part No.	TT6754B1-155M
Approval No. /dated	0807067CD	Customer's Print Name.	146~165M
Work Instruction No.	0807067CD	Date	Jul.21.2008



(3) Electric Characteristic			
Item		Specify	Performance
Center Freq.(Fo) +/- 0.5 %		155 MHz	155 MHz
Tunable Range:		155±2 MHz	155±2 MHz
Insertion Loss		Typ. 2.0 dB	0.69 dB
-3 dB Bandwidth		Typ. 38 MHz	40.9 MHz
Sensitivity (Attenuation)	Fo - (50) MHz	Typ. 30 dBc	33 dBc
	Fo + (50) MHz	Typ. 21 dBc	24 dBc
	Fo - () MHz	Typ. dBc	dBc
	Fo + () MHz	Typ. dBc	dBc
Return Loss		Min. 12 dB	35.8 dB
Ripple		< 1 dB	dB
Impedance		In / Out : 50 Ω	In / Out : 50 Ω
(4) Torque for Tuning Screw		> 100gf · cm	
(5) Temperature Condition:			
Operating Temperature		0°C ~ +60°C	
Storage Temperature		-20°C ~ +70°C	
(6) Input Power		> 1 Watt	

(7) Measuring Circuit: ※Easy to match Impedance S11/S22 50Ω by parallel with about(0pF) / (0pF).



Approval C.Y.Chang	Supervisor C.S.Chang	Designer C.S.Chang	Aperture size 7H3(4*7.5F) (7H024RB6.5)
-----------------------	-------------------------	-----------------------	--

TEMWELL CORPORATION

Performance-TT6754B1-155M

0807067CD

