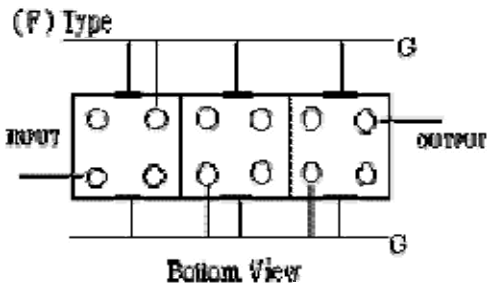
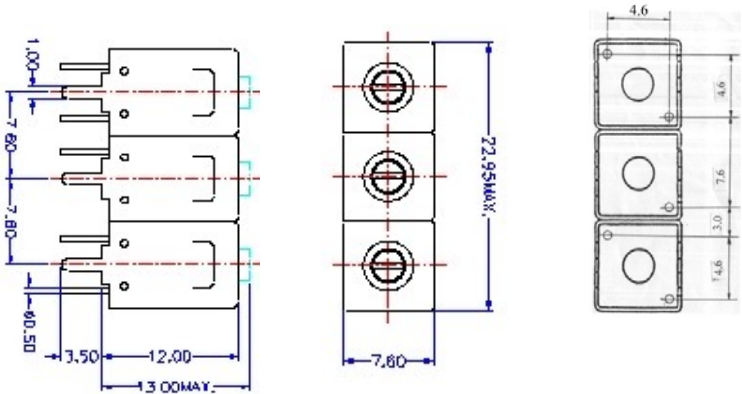


# VHF UHF Helical Filter Specification Sheet

Customer Name		Temwell's Part No.	TT67670F-180M
Approval No. /dated	20412047B	Acceptable Specify Fo. Range	166~195MHz
Work Instruction No.	20412047B	Date	

(1)Pin Position	(2)Size Diagram
 <p>(F) Type Bottom View</p>	

**(3)Electric Character**

Item	Specify	Performance	
Center Freq.(Fo ) +/- 0.5 %	180 MHz	180 MHz	
Tunable Range	180±2 MHz	180±2 MHz	
Insertion Loss	Typ. 2.0 dB	2.0 dB	
-3 dB Bandwidth	Typ. 20 MHz	21 MHz	
Sensitivity (Attenuation)	Fo -90 MHz	Typ. 55 dBc	61 dBc
	Fo +90 MHz	Typ. 66 dBc	68 dBc
	Fo - ( )MHz	Typ. dBc	dBc
	Fo +( )MHz	Typ. dBc	dBc
Return Loss	Min. 12 dB	28 dB	
Ripple	< 1 dB	dB	
Impedance	In / Out : 50 Ω	In / Out : 50 Ω	

(4)Torque for Tuning Screw > 100gf • cm

**(5)Temperature Condition:**

Operating Temperature	0°C ~ +60°C
Storage Temperature	-20°C ~ +70°C

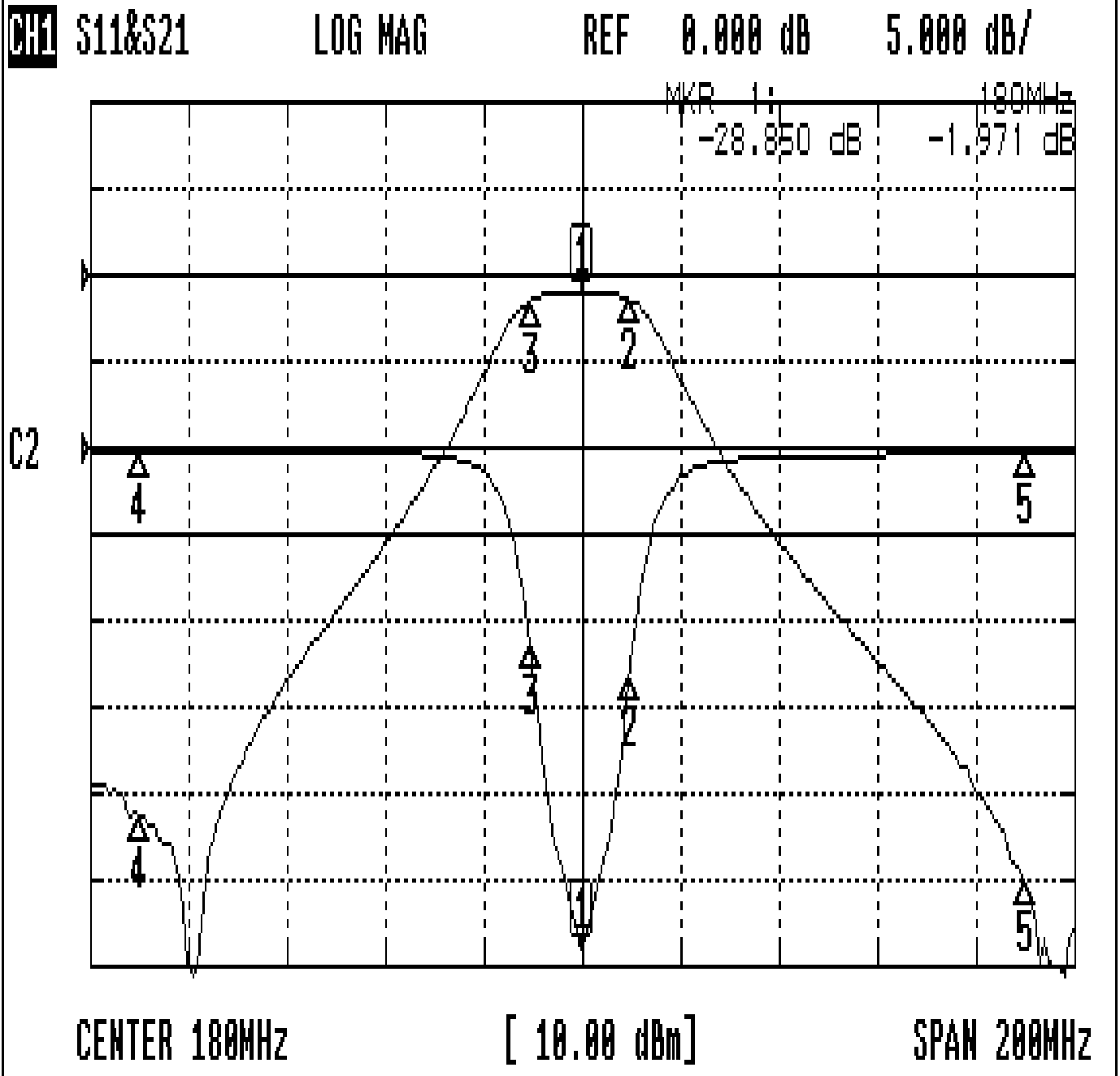
(6)Input Power > 1Watt

Approval	Supervisor	Designer	Aperture size
C.Y.Chang	C.S.Chang	C.S.Chang	7H3S(4*6.5)F 7H00LB6

TEMWELL CORPORATION

# Performance-TT67670F-180M

## 20412047B



### CH1 MARKER LIST

1:	180.000MHz	-28.850 dB	-1.971 dB
2:	189.666MHz	-13.153 dB	-2.902 dB
3:	169.500MHz	-11.384 dB	-2.911 dB
4:	90.000MHz	-0.166 dB	-63.508 dB
5:	270.000MHz	-0.356 dB	-69.809 dB