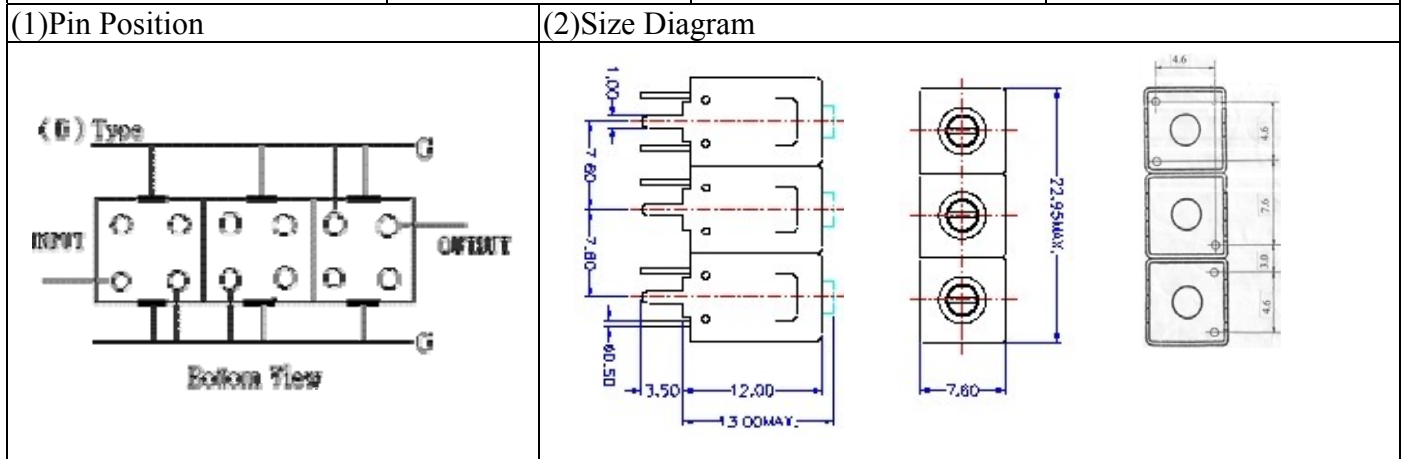


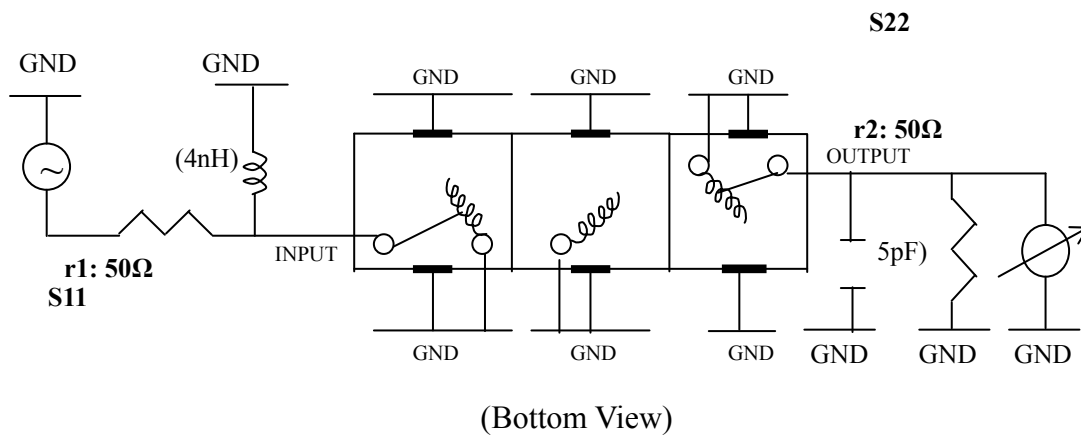
VHF UHF Helical Filter Specification Sheet

Customer Name		Temwell's Part No.	TT67695B1-118M-20M
Approval No. /dated	0712067APR	Temwell's print name.	108~125M
Work Instruction No.	0712067BD	Date	Nov.25.2007



(3) Electric Character			
Item		Specify	Performance
Center Freq.(Fo) +/- 0.5 %		118 MHz	118 MHz
Tunable Range		118±2 MHz	118±2 MHz
Insertion Loss		Typ. 2.0 dB	1.21 dB
-3 dB Bandwidth		Typ. 20 MHz	23.2 MHz
Sensitivity (Attenuation)	Fo - 30 MHz	Typ. 30 dBc	33 dBc
	Fo + 30 MHz	Typ. 20 dBc	27 dBc
	Fo - ()MHz	Typ. dBc	dBc
	Fo +()MHz	Typ. dBc	dBc
Return Loss		Min. 12 dB	18.7 dB
Ripple		< 1 dB	dB
Impedance		In / Out : 50 Ω	In / Out : 50 Ω
(4) Torque for Tuning Screw		>100gf • cm	
(5) Temperature Condition:			
Operating Temperature		0°C ~ +60°C	
Storage Temperature		-20°C ~ +70°C	
(6) Input Power		> 1Watt	

(7) Measuring Circuit: ※Easy to match Impedance S11/S22 50Ω by parallel with about(4nH) / (5pF).



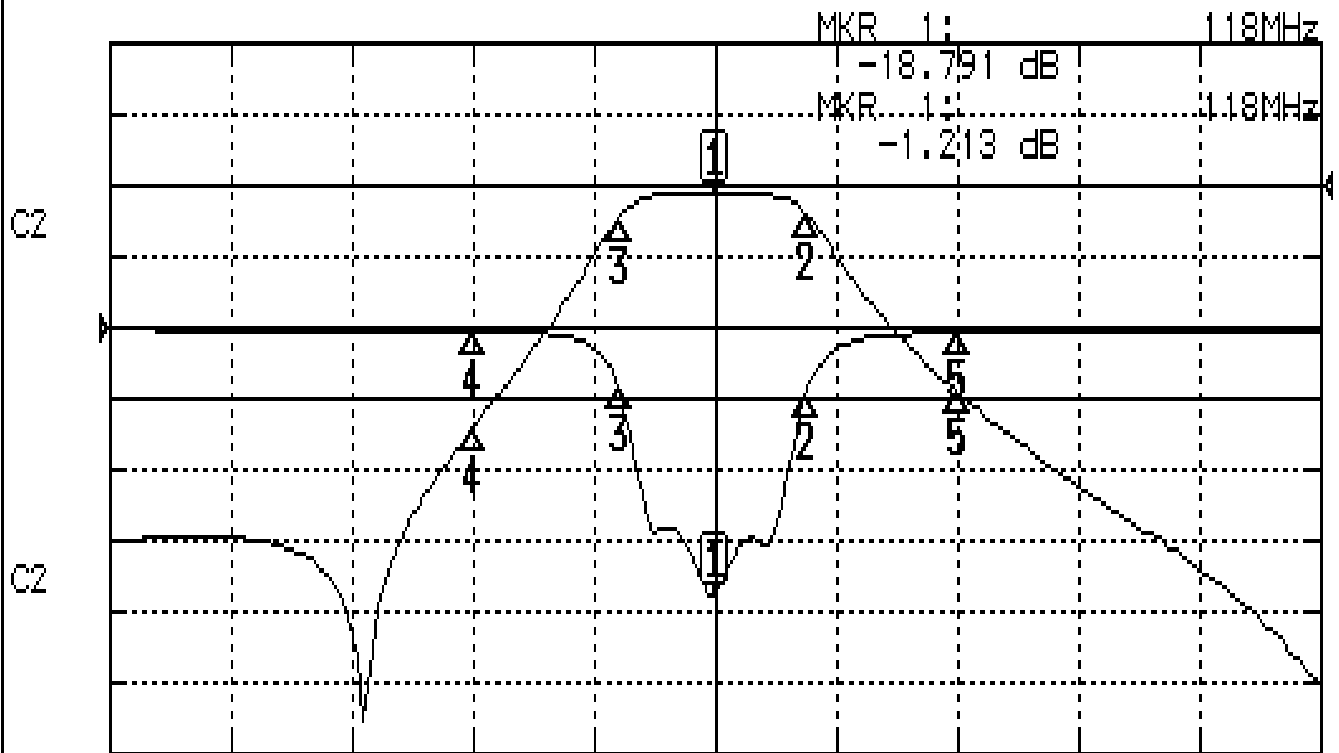
Approval	Supervisor	Designer	Aperture size
C.Y.Chang	C.S.Chang	P.H.Chiang	7H3(4*6.5)F 7H024LB6.5

TEMWELL CORPORATION

Performance-TT67695B1-118M-20M

0712067BD

CH1 S11 LOG MAG REF 0.000 dB 5.000 dB/
CH2 S21 LOG MAG REF 0.000 dB 10.000 dB/



CENTER 118MHz

[10.00 dBm]

SPAN 150MHz

CH1 MARKER LIST

1:	118.000MHz	-18.791 dB
2:	129.375MHz	-4.570 dB
3:	106.125MHz	-4.345 dB
4:	88.000MHz	-0.259 dB
5:	148.000MHz	-0.335 dB

CH2 MARKER LIST

1:	118.000MHz	-1.213 dB
2:	129.375MHz	-4.141 dB
3:	106.125MHz	-4.279 dB
4:	88.000MHz	-34.039 dB
5:	148.000MHz	-29.109 dB