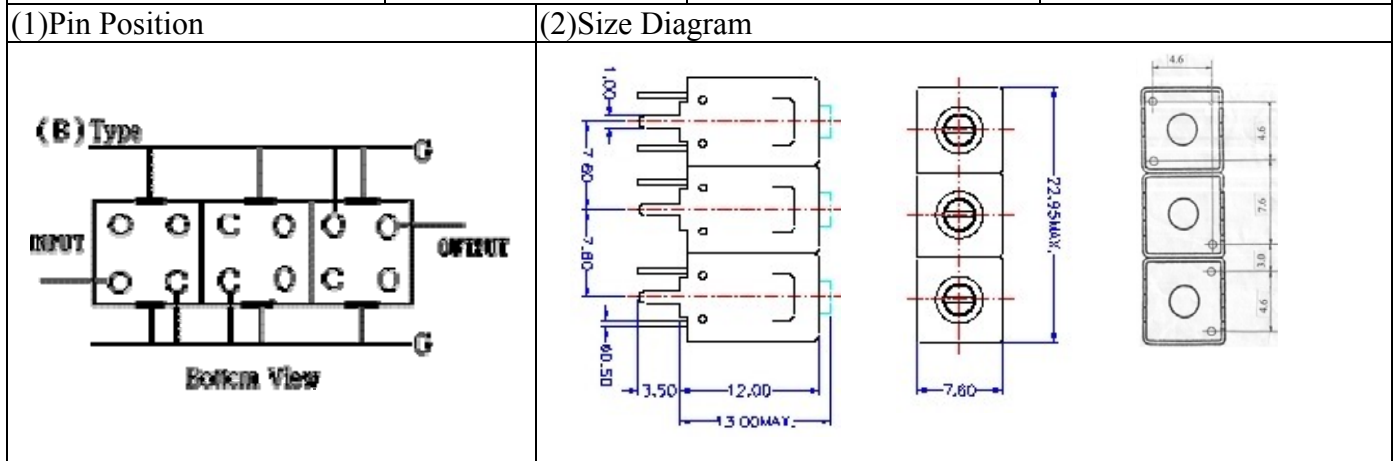


VHF UHF Helical Filter Specification Sheet

Customer Name		Temwell's Part No.	TTL6302B-61.25M
Approval No. /dated	0611018APR	Acceptable Specify Fo Range	56~67 MHz
Work Instruction No.	0611018DC	Date	Nov.14.2006



(3) Electric Character

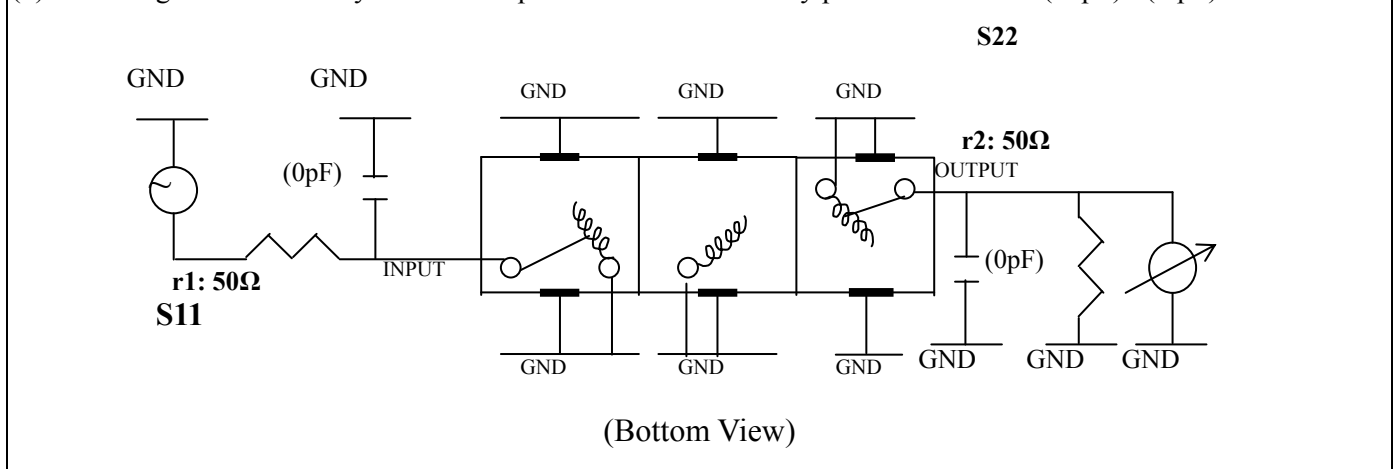
Item	Specify	Performance	
Center Freq.(Fo) +/- 0.5 %	61.25 MHz	61.25 MHz	
Tunable Range	61.25±2 MHz	61.25±2 MHz	
Insertion Loss	Typ. 3.0 dB	2.12 dB	
-3 dB Bandwidth	Typ. 6 MHz	7.3 MHz	
Sensitivity (Attenuation)	Fo - 10 MHz	Typ. 29 dB	32 dB
	Fo + 10 MHz	Typ. 27 dB	30 dB
	Fo - ()MHz	Typ. dB	dB
	Fo +()MHz	Typ. dB	dB
Return Loss	Min. 12 dB	28.3 dB	
Ripple	< 1 dB	dB	
Impedance	In / Out : 75 Ω	In / Out : 75 Ω	
(4) Torque for Tuning Screw	> 100gf • cm		

(5) Temperature Condition:

Operating Temperature	-0°C ~ +60°C
Storage Temperature	-20°C ~ +70°C

(6) Input Power > 1Watt

(7) Measuring Circuit: ※Easy to match Impedance S11/S22 75Ω by parallel with about(0 pF) / (0 pF).

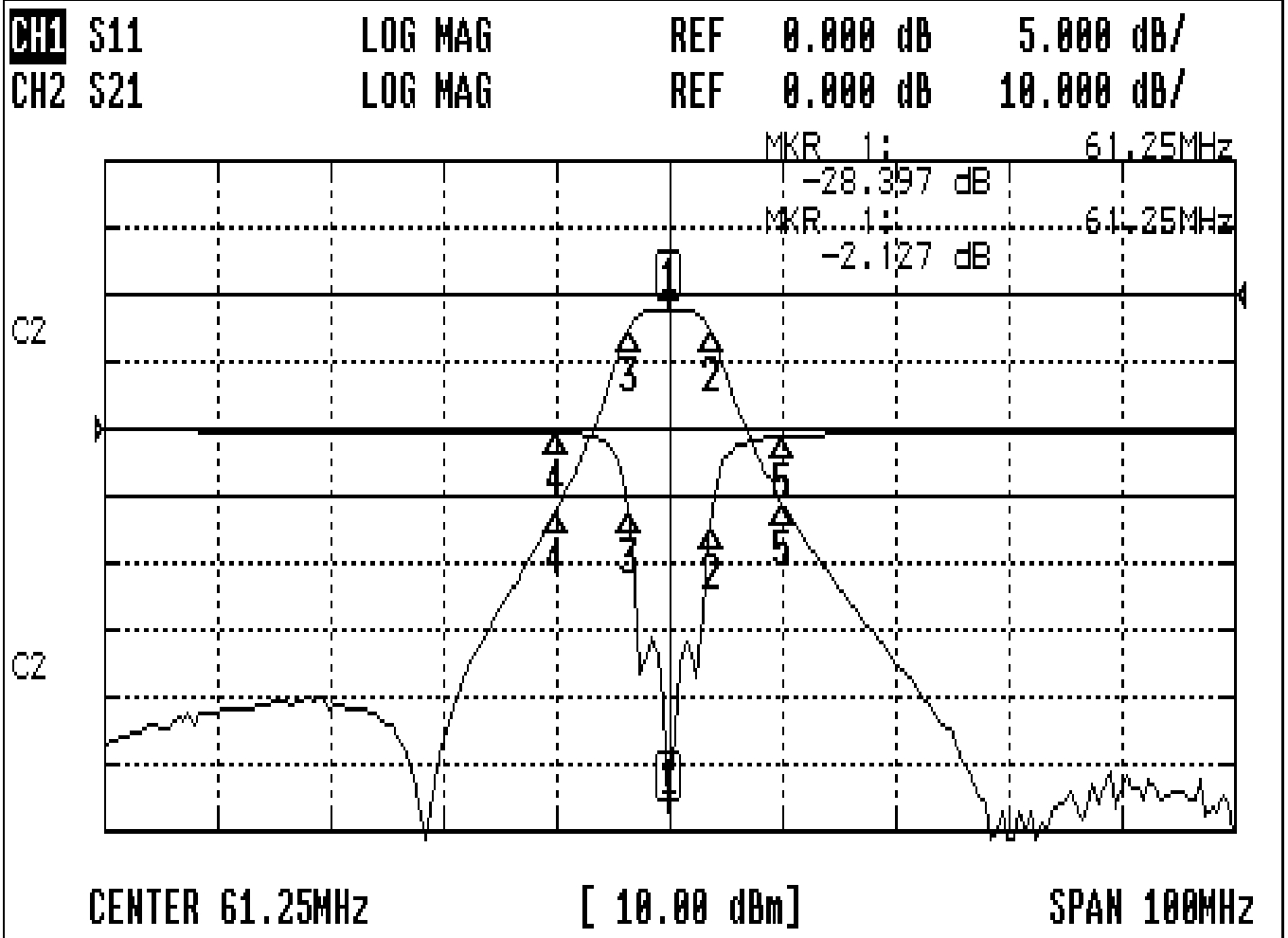


Approval C.Y.Chang	Supervisor C.S.Chang	Designer W.W.Wang	Aperture size 7H3(4*6.5)F 7H00LB6/7H00LB4
-----------------------	-------------------------	----------------------	---

TEMWELL CORPORATION

Performance-TTL6302B-61.25M

0611018DC



CH1 MARKER LIST

Marker	Frequency (MHz)	Magnitude (dB)
1	61.250	-28.397
2	64.916	-7.088
3	67.666	-6.209
4	71.250	-0.290
5	71.250	-0.586

CH2 MARKER LIST

Marker	Frequency (MHz)	Magnitude (dB)
1	61.250	-2.127
2	64.916	-1.120
3	67.666	-1.067
4	71.250	-0.277
5	71.250	-30.959