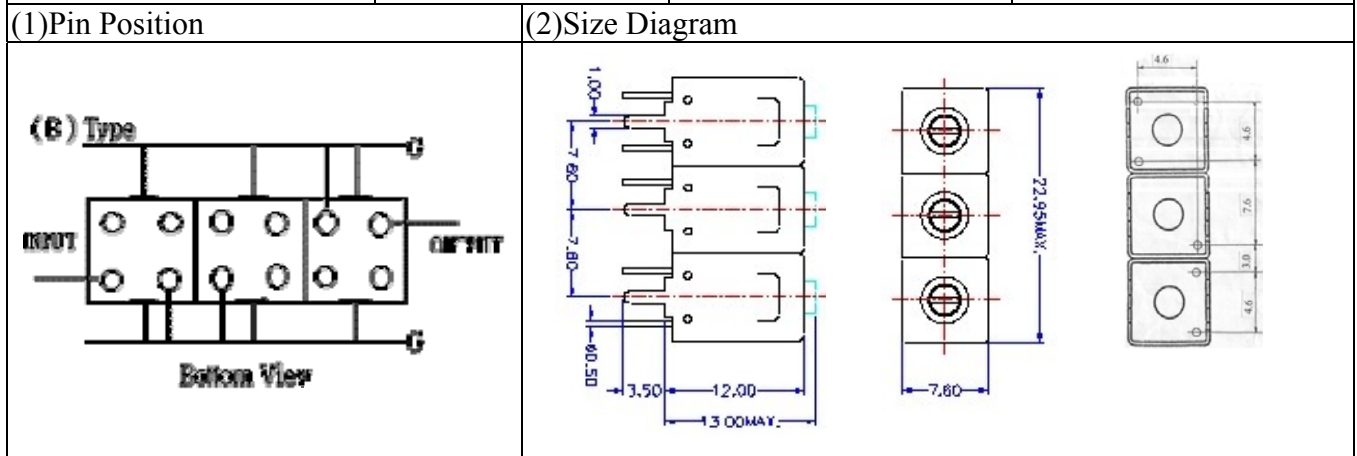


# VHF UHF Helical Filter Specification Sheet

Customer Name		Temwell's Part No.	TTL6304B-77.25M
Approval No. /dated	0611020APR	Acceptable Specify Fo Range	76~85 MHZ
Work Instruction No.	0611020DC	Date	Nov.15.2006



### (3) Electric Character

Item	Specify	Performance	
Center Freq.(Fo) +/- 0.5 %	77.25 MHz	77.25 MHz	
Tunable Range	77.25±2 MHz	77.25±2 MHz	
Insertion Loss	Typ. 3.5 dB	2.52 dB	
-3 dB Bandwidth	Typ. 6 MHz	7.4 MHz	
Sensitivity (Attenuation)	Fo - 10 MHz	Typ. 27 dB	30 dBc
	Fo + 10 MHz	Typ. 25 dB	28 dBc
	Fo - ( )MHz	Typ. dB	dBc
	Fo +( )MHz	Typ. dB	dBc
Return Loss	Min. 12 dB	29.82 dB	
Ripple	< 1 dB	dB	
Impedance	In / Out : 75 Ω	In / Out : 75 Ω	
(4) Torque for Tuning Screw	> 100gf · cm		

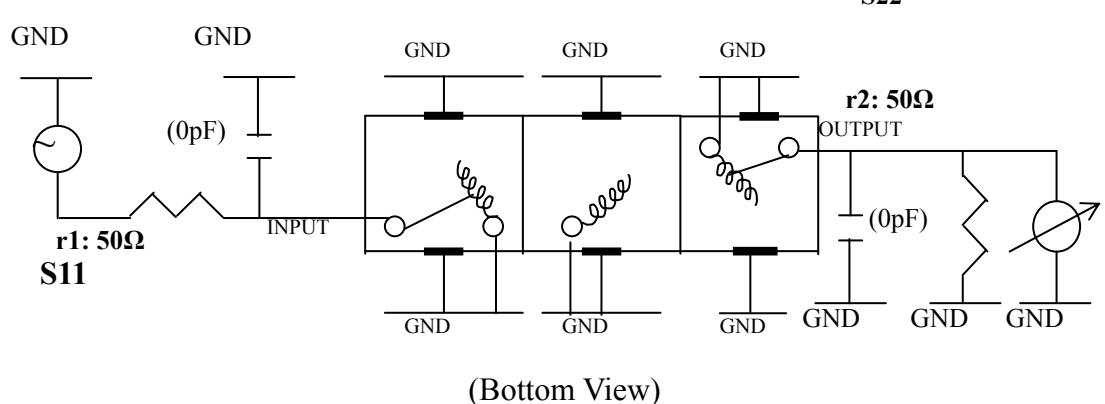
### (5) Temperature Condition:

Operating Temperature	-0°C ~ +60°C
Storage Temperature	-20°C ~ +70°C

### (6) Input Power

> 1Watt

### (7) Measuring Circuit: ※Easy to match Impedance S11/S22 75Ω/by parallel with about( 0 pF) / (0 pF).

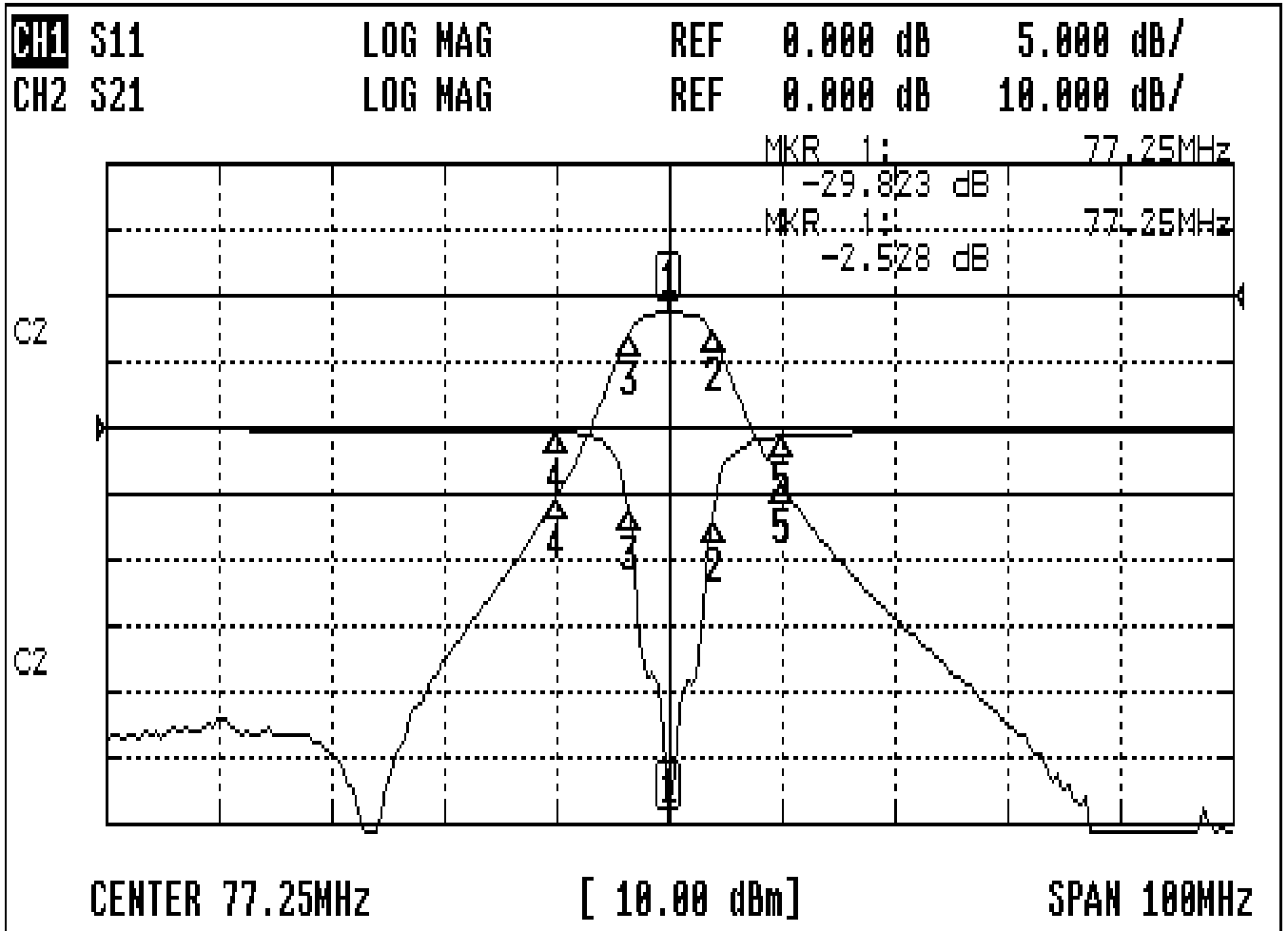


Approval	Supervisor	Designer	Aperture size
C.Y.Chang	C.S.Chang	W.W.Wang	7H3(4*6.5)F 7H00LB6/7H00LB4

TEMWELL CORPORATION

# Performance-TTL6304B-77.25M

## 0611020DC



### CH1 MARKER LIST

1:	77.250MHz	-29.823 dB
2:	81.083MHz	-6.919 dB
3:	73.666MHz	-6.429 dB
4:	67.250MHz	-0.330 dB
5:	87.250MHz	-0.672 dB

### CH2 MARKER LIST

1:	77.250MHz	-2.528 dB
2:	81.083MHz	-6.919 dB
3:	73.666MHz	-6.429 dB
4:	67.250MHz	-0.330 dB
5:	87.250MHz	-0.672 dB