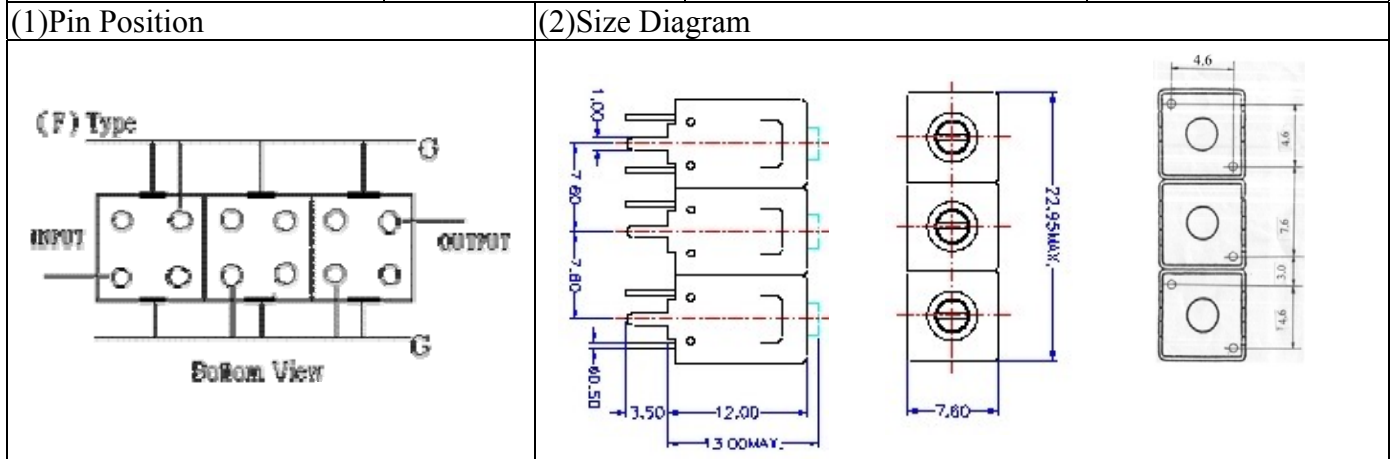


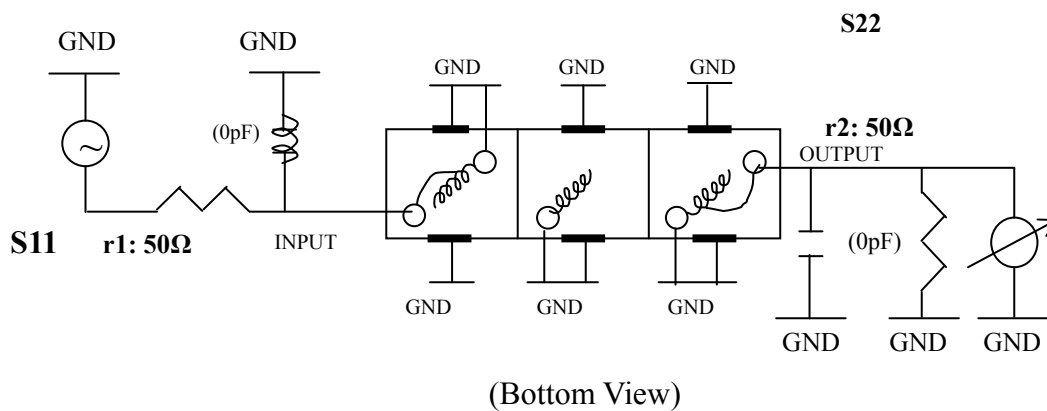
# VHF UHF Helical Filter Specification Sheet

Customer Name		Temwell's Part No.	TTL6305F-83.25M
Approval No. /dated	0611021APR	Acceptable Specify Fo Range	76~85 MHz
Work Instruction No.	0611021DC	Date	Nov.14.2006



(3) Electric Characteristic			
Item		Specify	Performance
Center Freq.(Fo ) +/- 0.5 %		83.25 MHz	83.25 MHz
Tunable Range		83.25±2 MHz	83.25±2 MHz
Insertion Loss		Typ. 3.5 dB	2.59 dB
-3 dB Bandwidth		Typ. 6 MHz	7.6 MHz
Sensitivity (Attenuation)	Fo - 10 MHz	Typ. 29 dB	32 dB
	Fo + 10 MHz	Typ. 26 dB	29 dB
	Fo - ( )MHz	Typ. dB	dB
	Fo +( )MHz	Typ. dB	dB
Return Loss		Min. 12 dB	19.8 dB
Ripple		< 1 dB	dB
Impedance		In / Out : 75 Ω	In / Out : 75 Ω
(4) Torque for Tuning Screw		> 100gf · cm	
(5) Temperature Condition:			
Operating Temperature		-0°C ~ +60°C	
Storage Temperature		-20°C ~ +70°C	
(6) Input Power		> 1Watt	

(7) Measuring Circuit: ※Easy to match Impedance S11/S22 75Ω/ by parallel with about(0pF) /(0pF).



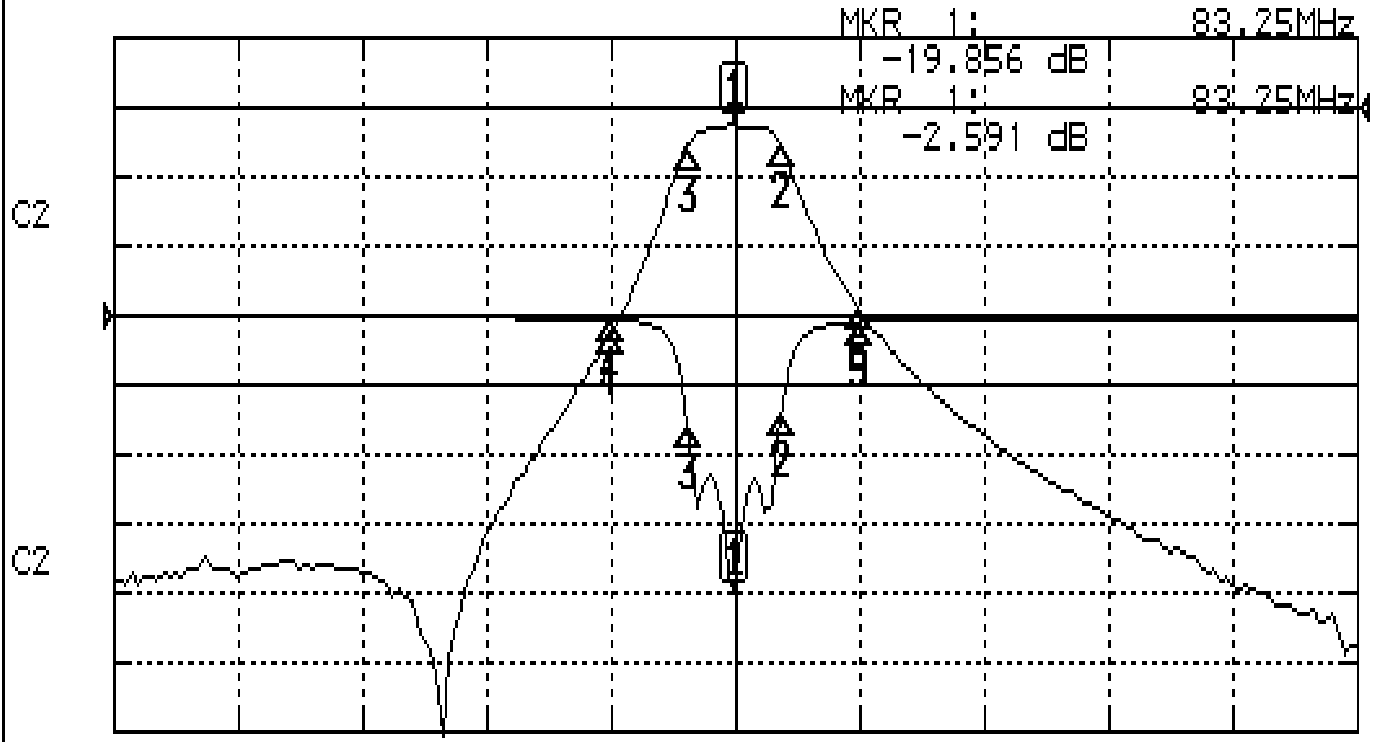
Approval	Supervisor	Designer	Aperture size
C.Y.Chang	C.S.Chang	W.W.Wang	7H3(4*6.5)F 7H00LB6/7H00LB4

TEMWELL CORPORATION

# Performance-TTL6305F-83.25M

## 0611021DC

**CH1** S11                      LOG MAG                      REF 0.000 dB                      5.000 dB/  
**CH2** S21                      LOG MAG                      REF 0.000 dB                      10.000 dB/



CENTER 83.25MHz

[ 10.00 dBm ]

SPAN 100MHz

### CH1 MARKER LIST

1	83.250MHz	-19.863	dB
2	79.000MHz	-7.026	dB
3	79.416MHz	-7.874	dB
4	73.250MHz	-0.260	dB
5	93.250MHz	-0.459	dB

### CH2 MARKER LIST

1	83.250MHz	-2.591	dB
2	79.000MHz	-1.109	dB
3	79.416MHz	-1.002	dB
4	73.250MHz	-0.331	dB
5	93.250MHz	-2.042	dB