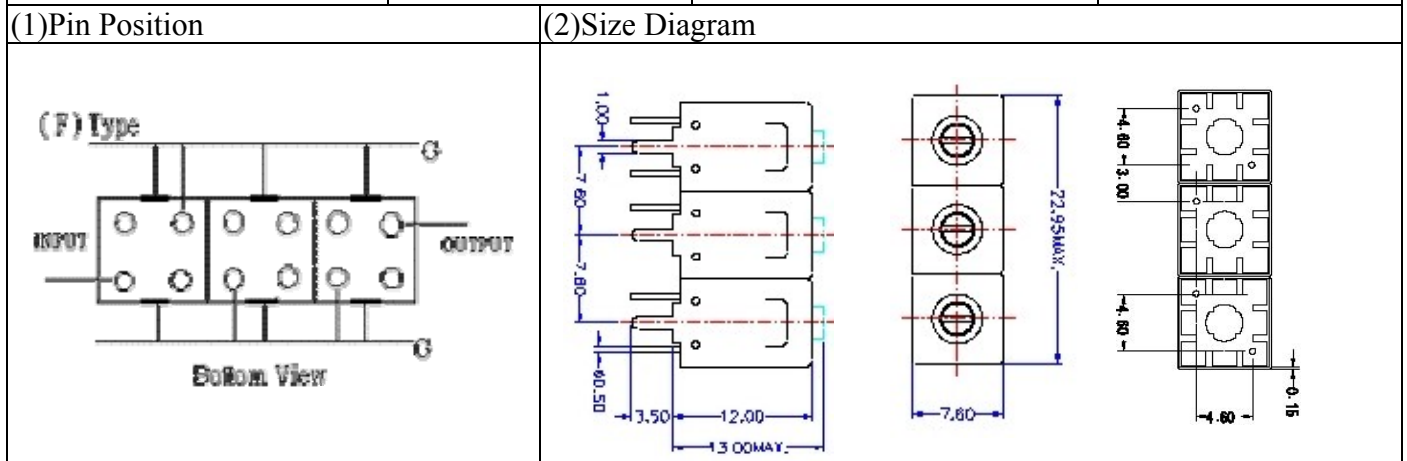


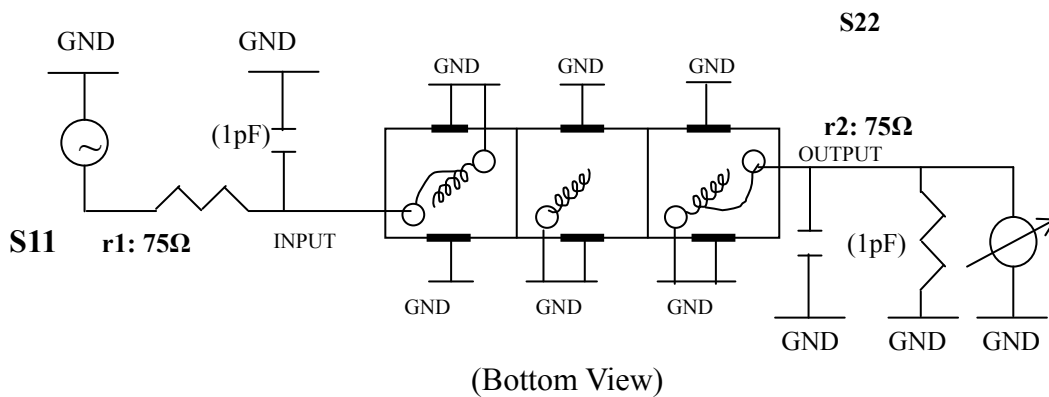
# VHF UHF Helical Filter Specification Sheet

Customer Name		Temwell's Part No.	TTL63100F-51.5M
Approval No. /dated	0701021APR	Acceptable Specify Fo Range.	46~55M
Work Instruction No.	0701021DC	Date	Feb.09.2007



(3) Electric Chararistic			
Item	Specify	Performance	
Center Freq.(Fo) +/- 0.5 %	51.5 MHz	51.5 MHz	
Tunable Range:	51.5±2 MHz	51.5±2 MHz	
Insertion Loss	Typ. 2.5 dB	1.75 dB	
-3 dB Bandwidth	Typ. 7 MHz	8.7 MHz	
Sensitivity (Attenuation)	Fo - 15 MHz	Typ. 44 dB	47 dB
	Fo + 15 MHz	Typ. 34 dB	37 dB
	Fo - ( )MHz	Typ. dB	dB
	Fo +( )MHz	Typ. dB	dB
Return Loss	Min. 12 dB	29.4 dB	
Ripple	< 1 dB	dB	
Impedance	In / Out : 75 Ω	In / Out : 75 Ω	
(4) Torque for Tuning Screw		> 100gf · cm	
(5) Temperature Condition:			
Operating Temperature	0°C ~ +60°C		
Storage Temperature	-20°C ~ +70°C		
(6) Input Power		> 1Watt	

(7) Measuring Circuit: ※Easy to match Impedance S11/S22 75Ω by parallel with about(0 pF) / (0 pF).



Approval	Supervisor	Designer	Aperture size
C.Y.Chang	C.S.Chang	J.F.Lin	7H3(4*6.5F) 7H00LB6

TEMWELL CORPORATION

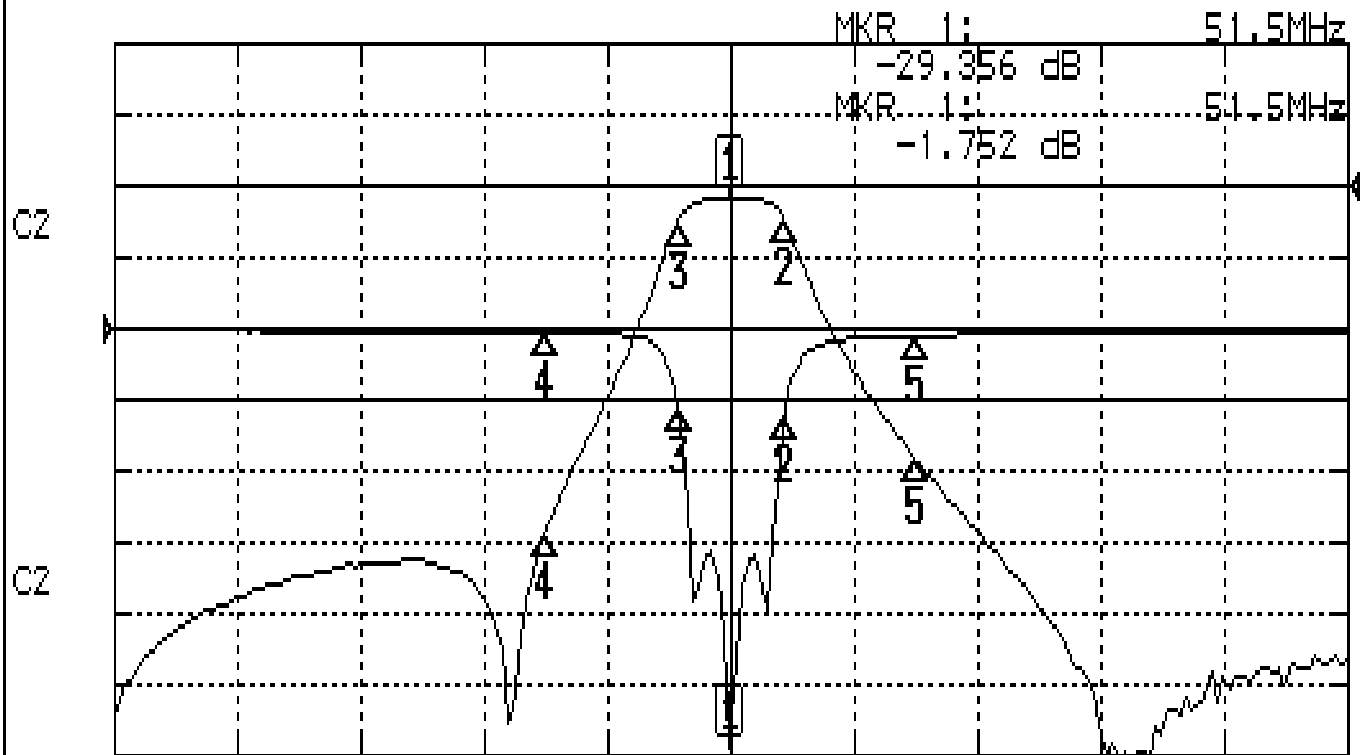
TEMWELL

Form10-7H3F Vision D RP(J.F.Lin)

# Performance-TTL63100F-51.5M

## 0701021DC

**CH1** S11                      LOG MAG                      REF    0.000 dB            5.000 dB/  
**CH2** S21                      LOG MAG                      REF    0.000 dB            10.000 dB/



CENTER 51.5MHz

[ 10.00 dBm ]

SPAN 100MHz

### CH1 MARKER LIST

1:	51.500MHz	-29.414	dB
2:	55.916MHz	-6.191	dB
3:	47.250MHz	-15.590	dB
4:	36.500MHz	-0.263	dB
5:	66.500MHz	-0.487	dB

### CH2 MARKER LIST

1:	51.500MHz	-1.752	dB
2:	55.916MHz	-4.789	dB
3:	47.250MHz	-5.000	dB
4:	36.500MHz	-4.885	dB
5:	66.500MHz	-38.213	dB