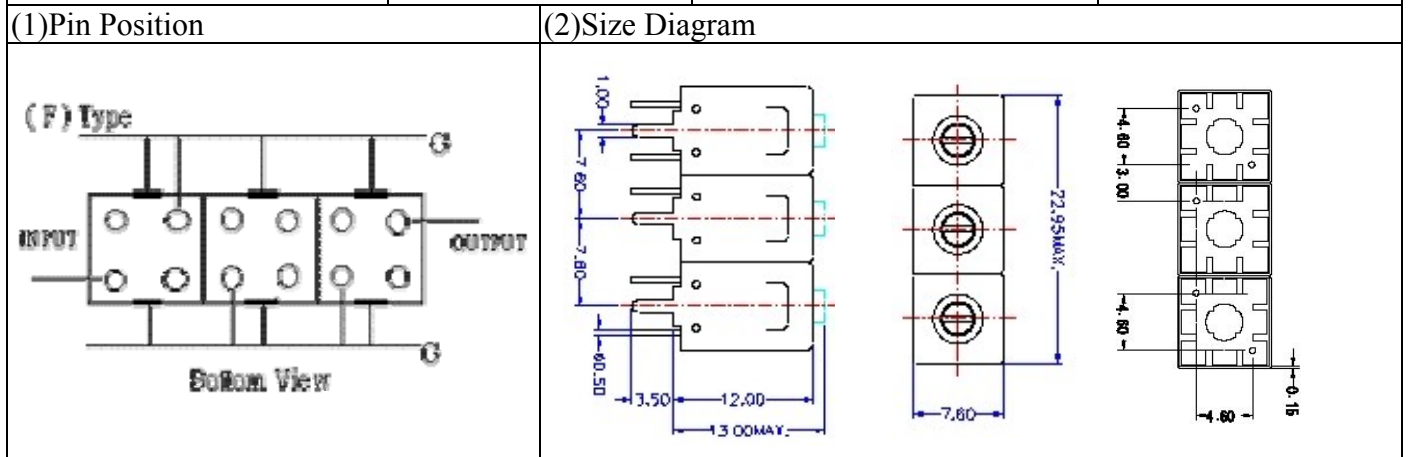


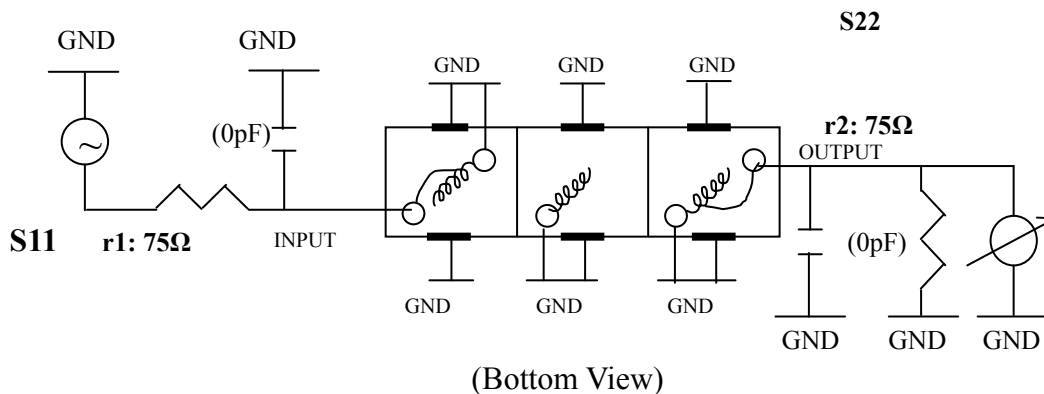
VHF UHF Helical Filter Specification Sheet

Customer Name		Temwell's Part No.	TTL63249F-55.25M
Approval No. /dated	0809122CD	Temwell's print name	63249F 55.25M
Work Instruction No.	200809122CD	Date	Oct.03.2008



(3)Electric Charasteric		Item	Specify	Performance
Center Freq.(Fo) +/- 0.5 %			55.25 MHz	55.25 MHz
Tunable Range:			55.25±2 MHz	55.25±2 MHz
Insertion Loss			Typ. 3.0 dB	2.16 dB
-3 dB Bandwidth			Typ. 6 MHz	7.3 MHz
Sensitivity (Attenuation)	Fo - 15 MHz	Typ. 47 dB		50 dB
	Fo + 15 MHz	Typ. 35 dB		38 dB
	Fo - ()MHz	Typ. dB		dB
	Fo +()MHz	Typ. dB		dB
Return Loss			Min. 12 dB	24.5 dB
Ripple			< 1 dB	dB
Impedance			In / Out : 75 Ω	In / Out : 75 Ω
(4)Torque for Tuning Screw			> 100gf · cm	
(5)Temperature Condition:				
Operating Temperature			0°C ~ +60°C	
Storage Temperature			-20°C ~ +70°C	
(6)Input Power			> 1Watt	

(7)Measuring Circuit: ※Easy to match Impedance S11/S22 75Ω by parallel with about(0pF) / (0pF).

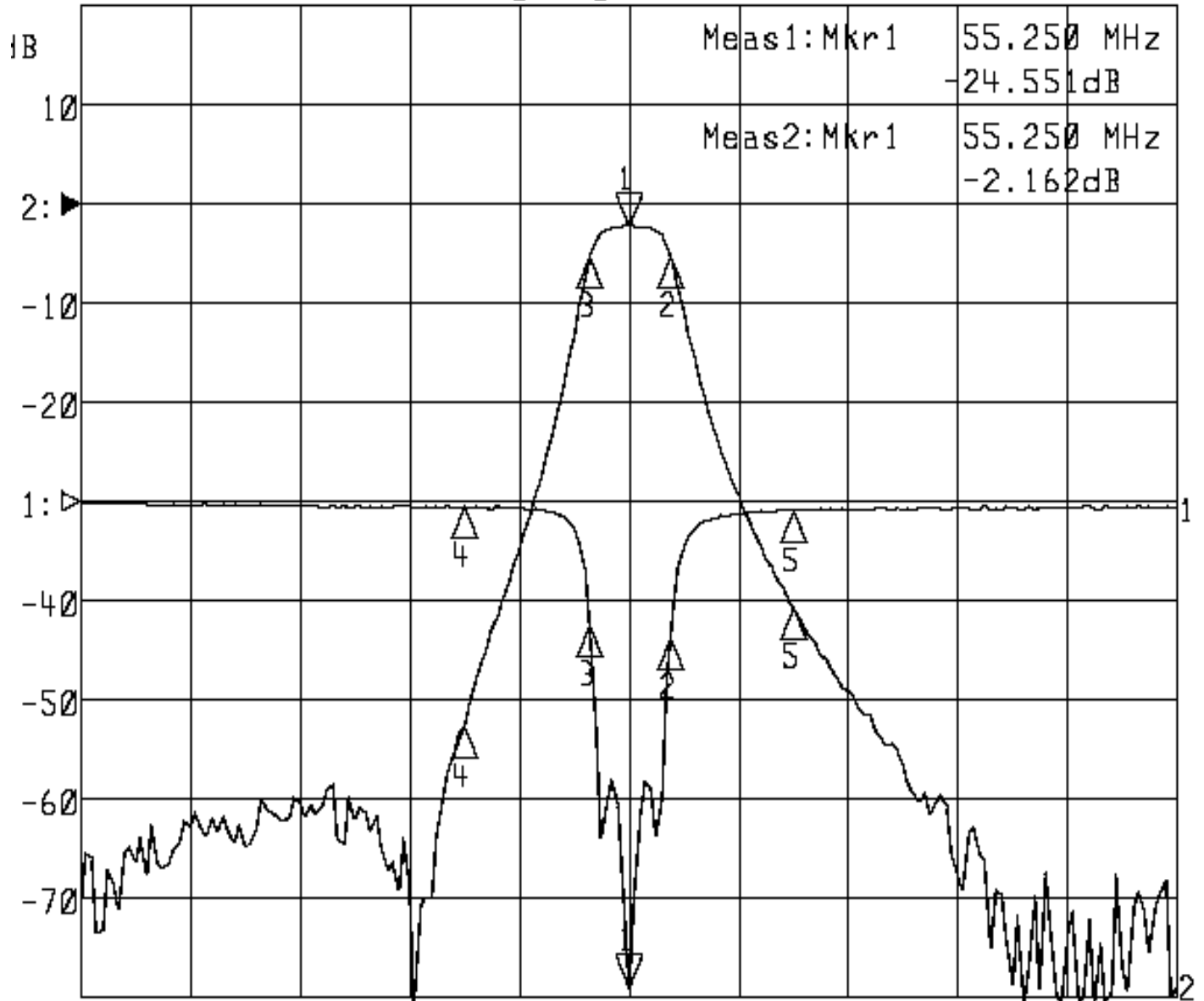


Approval	Supervisor	Designer	Aperture size
C.Y.Chang	C.S.Chang	Y.H.Yeh	7H3S(4*8.0F) 7H00LB4/7H00LB6
TEMWELL CORPORATION			

Performace-TTL63249F-55.25M

200809122CD

▶1:S11 Refl Port1 Log Mag 5.0 dB/ Ref 0.00 dB C
▶2:S21 Fwd Trans Log Mag 10.0 dB/ Ref 0.00 dB C



Center 55.250 MHz

Span 100.000 MHz

1:Mkr (MHz)	dB	2:Mkr (MHz)	dB
1> 55.2500	-24.551	1> 55.2500	-2.162
2: 59.0467	-6.841	2: 59.0467	-5.166
3: 51.7400	-6.233	3: 51.7400	-5.197
4: 40.2500	-0.289	4: 40.2500	-52.684
5: 70.2500	-0.443	5: 70.2500	-40.835