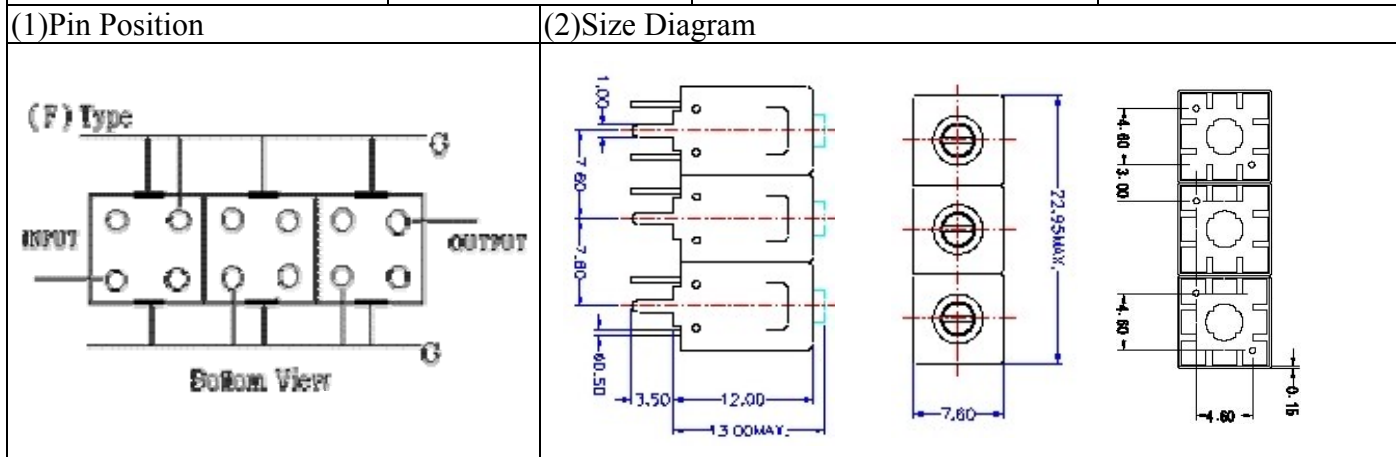


VHF UHF Helical Filter Specification Sheet

Customer Name		Temwell's Part No.	TTL63251F-67.25M
Approval No. /dated	0809124CD	Temwell's print name	63251F 67.25M
Work Instruction No.	200809124CD	Date	Oct.03.2008



(3)Electric Charasteric

Item	Specify	Performance	
Center Freq.(Fo) +/- 0.5 %	67.25 MHz	67.25 MHz	
Tunable Range:	67.25±2 MHz	67.25±2 MHz	
Insertion Loss	Typ. 3.0 dB	2.39 dB	
-3 dB Bandwidth	Typ. 7 MHz	8.1 MHz	
Sensitivity (Attenuation)	Fo - 15 MHz	Typ. 43 dB	46 dB
	Fo + 15 MHz	Typ. 34 dB	37 dB
	Fo - ()MHz	Typ. dB	dB
	Fo +()MHz	Typ. dB	dB
Return Loss	Min. 12 dB	25.2 dB	
Ripple	< 1 dB	dB	
Impedance	In / Out : 75 Ω	In / Out : 75 Ω	

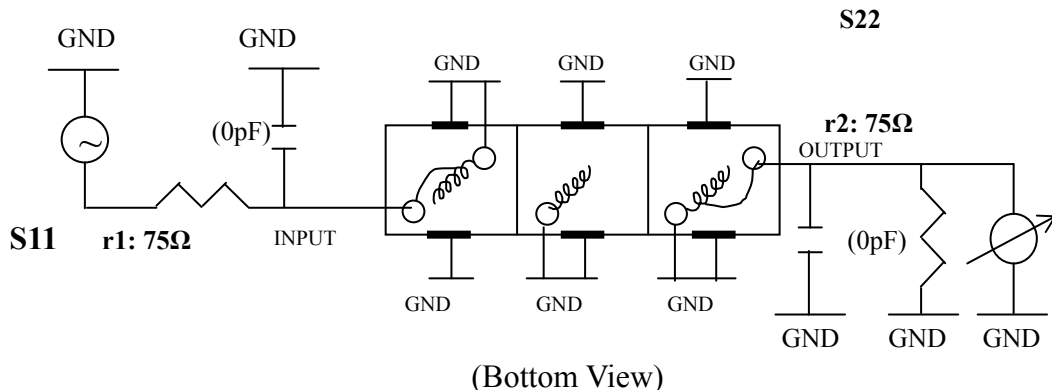
(4)Torque for Tuning Screw > 100gf · cm

(5)Temperature Condition:

Operating Temperature	0°C ~ +60°C
Storage Temperature	-20°C ~ +70°C

(6)Input Power > 1Watt

(7)Measuring Circuit: ※Easy to match Impedance S11/S22 75Ω by parallel with about(0pF) / (0pF).

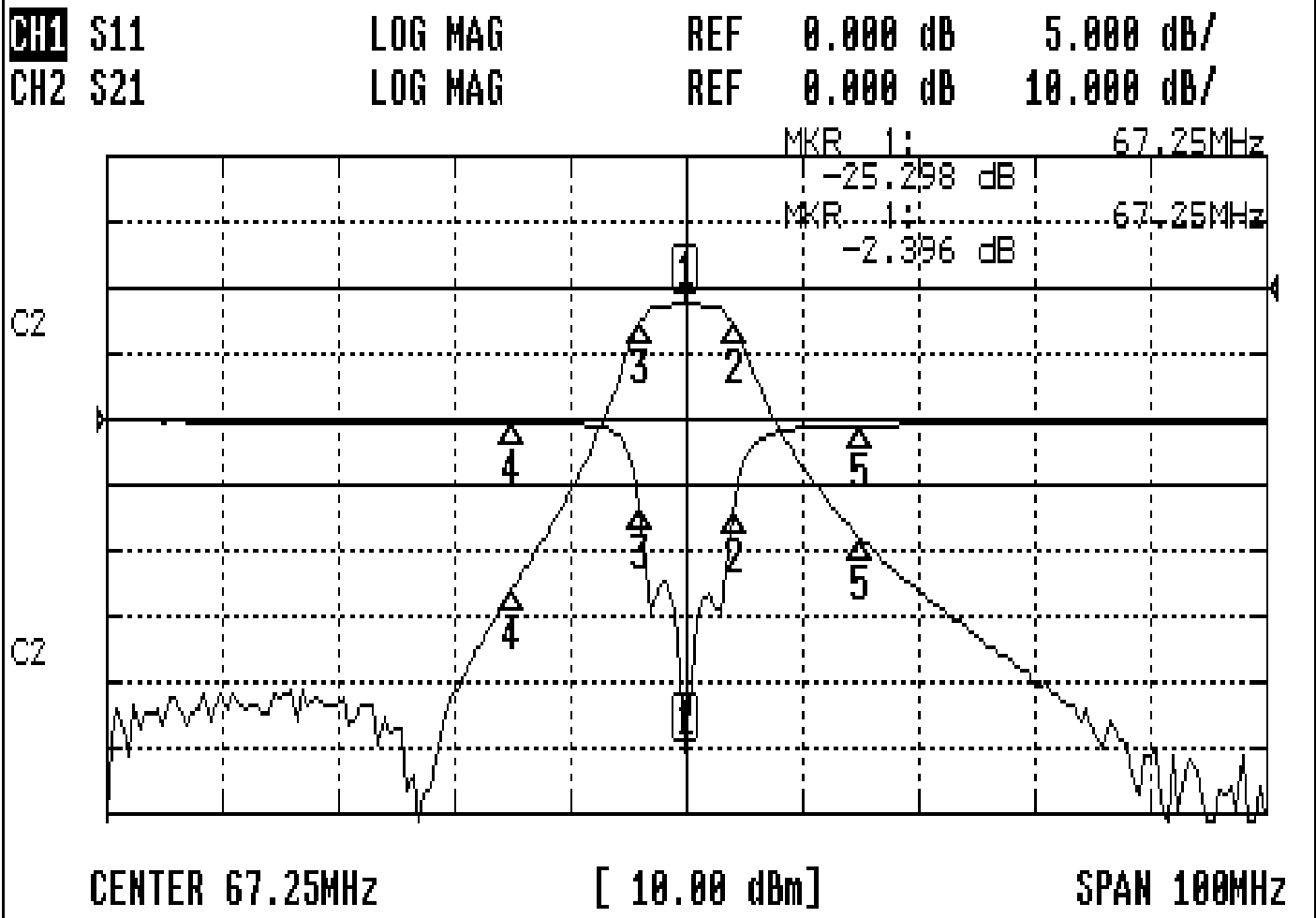


Approval C.Y.Chang	Supervisor C.S.Chang	Designer Y.H.Yeh	Aperture size 7H3S(4*7.35F) 7H00LB4/7H00LB6
-----------------------	-------------------------	---------------------	---

TEMWELL CORPORATION

Performace-TTL63251F-67.25M

200809124CD



CH1 MARKER LIST

Marker	Frequency (MHz)	Magnitude (dB)
1	67.250	-25.298
2	71.333	-7.000
3	63.250	-6.680
4	82.250	-0.267
5	82.250	-0.489

CH2 MARKER LIST

Marker	Frequency (MHz)	Magnitude (dB)
1	67.250	-2.396
2	71.333	-7.000
3	63.250	-6.680
4	82.250	-0.267
5	82.250	-0.489