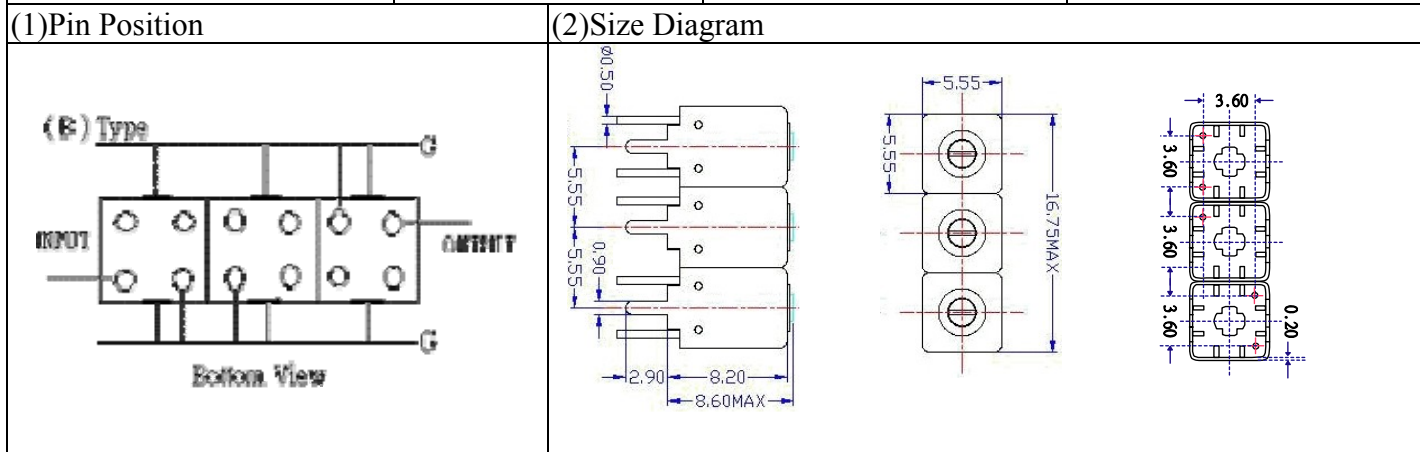


VHF UHF Helical Filter Specification Sheet

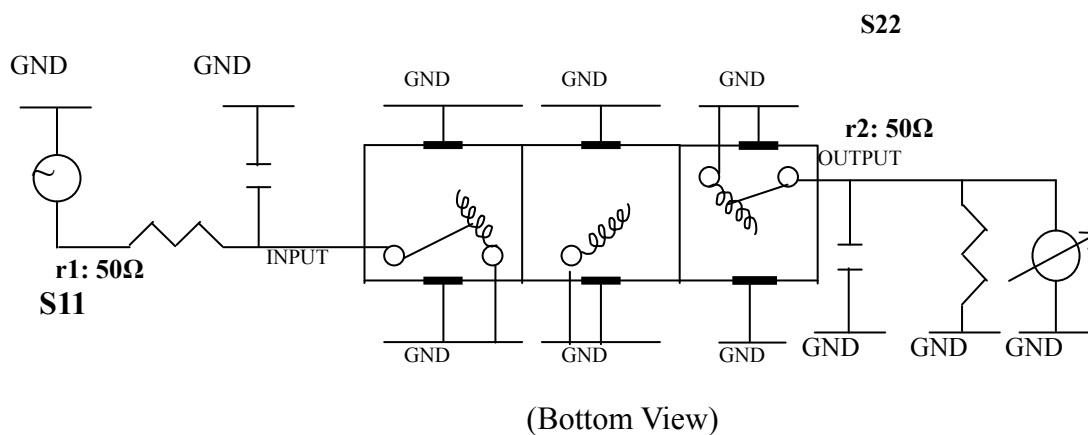
Customer Name		Temwell's Part No.	TTW3426B-480M
Approval No. /dated		Temwell's Print Name.	3426B 480M
Work Instruction No.	201406070CD	Date	Jul.04.2014



(3) Electric Character

Item	Specify	Performance
Center Freq.(Fo) +/- 0.5 %	480 MHz	480 MHz
Insertion Loss	Typ. 4.0 dB	3.04 dB
-3 dB Bandwidth	Typ. 9 MHz	16.4 MHz
Sensitivity (Attenuation)	Fo -50 MHz	Typ. 44 dBc
	Fo +50 MHz	Typ. 35 dBc
	Fo - ()MHz	Typ. dBc
	Fo +()MHz	Typ. dBc
Return Loss	Min. 12 dB	17.3 dB
Ripple	< 1 dB	dB
Impedance	In / Out : 50 Ω	In / Out : 50 Ω
(4) Torque for Tuning Screw	> 60gf · cm	
(5) Temperature Condition:		
Operating Temperature	0°C ~ +60°C	
Storage Temperature	-20°C ~ +70°C	
(6) Input Power	> 0.5Watt	

(7) Measuring Circuit: ※Easy to match Impedance S11/S22 50Ω by parallel with about(- -).

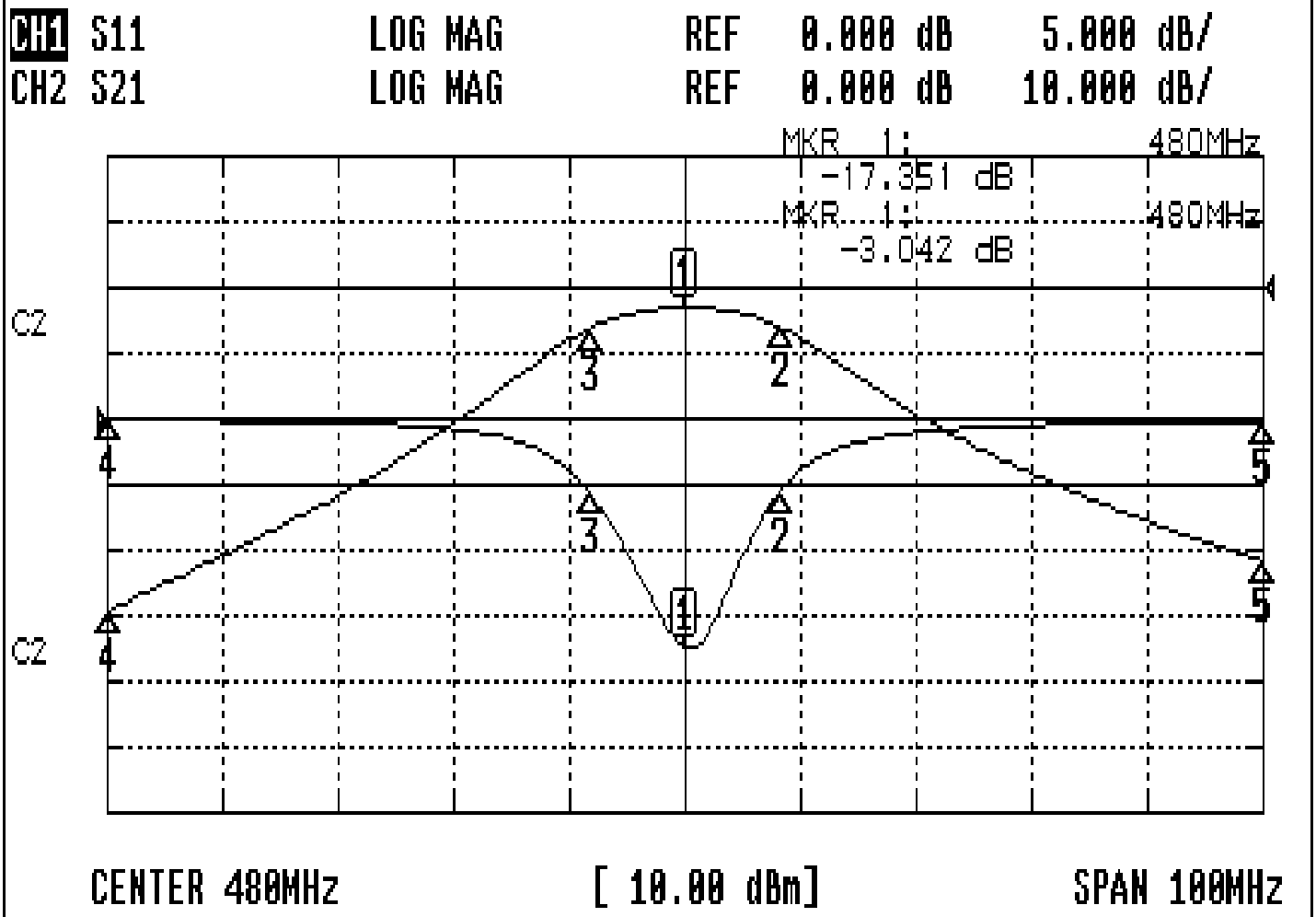


Approval	Supervisor	Designer	Aperture size
C.Y.Chang	C.K.Chang	Y.L.Pan	5W3S(3.8*4.0)(4.09) 5HW024LB3

TEMWELL CORPORATION

Performance-TTW3426B-480M

201406070CD



CH1 MARKER LIST

1:	480.000MHz	-17.351 dB
2:	488.250MHz	-15.559 dB
3:	471.833MHz	-15.596 dB
4:	430.000MHz	-10.085 dB
5:	530.000MHz	-0.200 dB

CH2 MARKER LIST

1:	480.000MHz	-3.042 dB
2:	488.250MHz	-6.036 dB
3:	471.833MHz	-6.071 dB
4:	430.000MHz	-49.252 dB
5:	530.000MHz	-41.697 dB