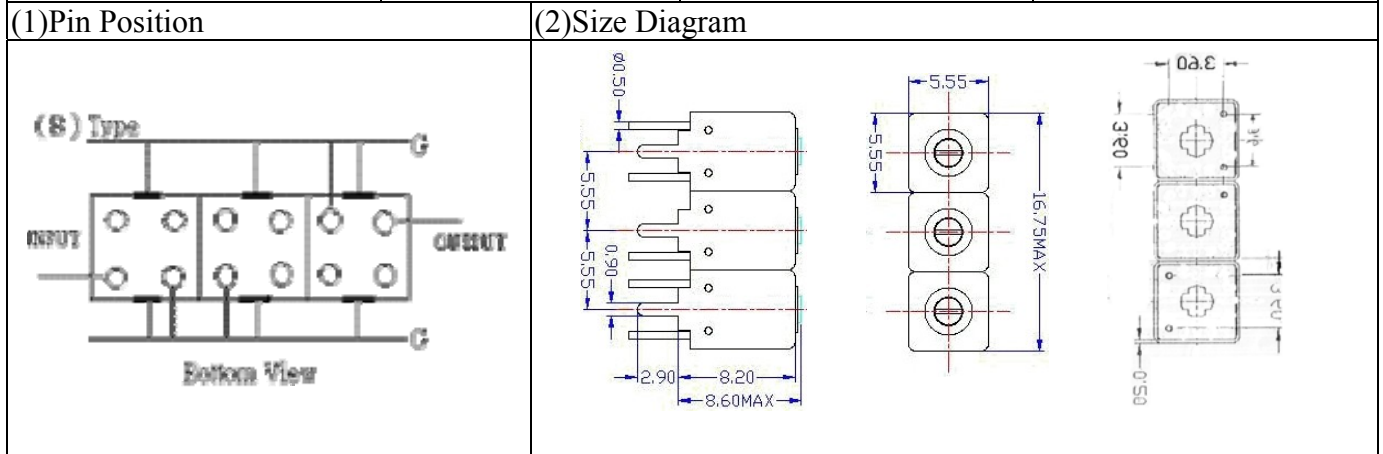


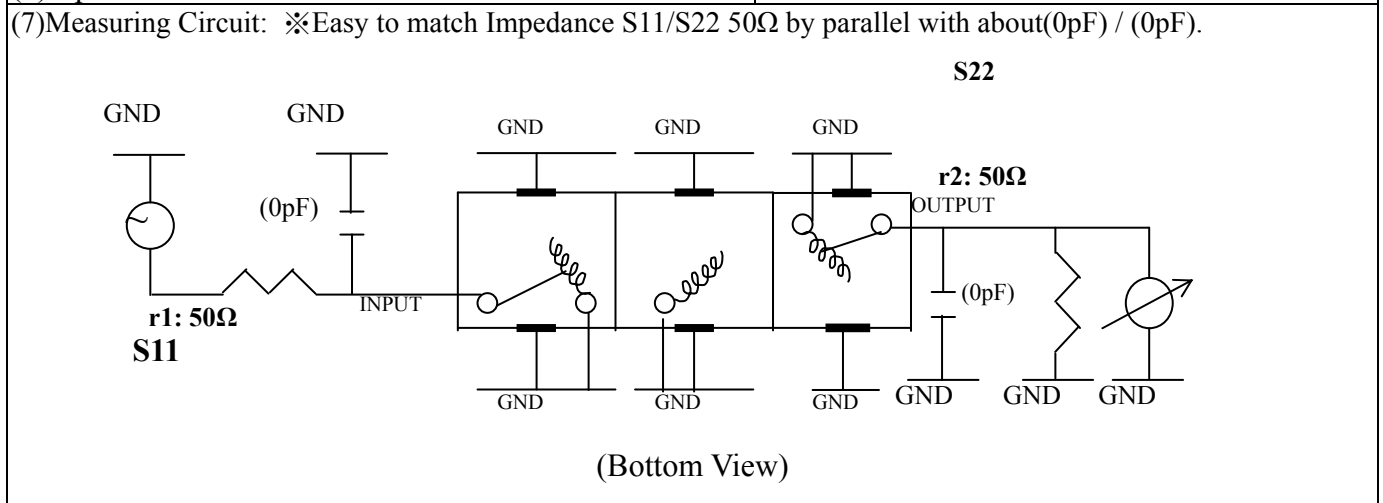
VHF UHF Helical Filter Specification Sheet

Customer Name		Temwell's Part No.	TTW3909B-575M
Approval No. /dated	0901025CD	Temwell's Print Name.	3909B 575M
Work Instruction No.	200901025CD	Date	Mar.30.2009



(3) Electric Character			
Item		Specify	Performance
Center Freq.(Fo) +/- 0.5 %		575 MHz	575 MHz
Tunable Range:		575±3 MHz	575±3 MHz
Insertion Loss		Typ. 3.0 dB	2.17 dB
-3 dB Bandwidth		Typ. 40 MHz	42.8 MHz
Sensitivity (Attenuation)	Fo - 50 MHz	Typ. 16 dBc	19 dBc
	Fo + 50 MHz	Typ. 19 dBc	22 dBc
	Fo - ()MHz	Typ. dBc	dBc
	Fo + ()MHz	Typ. dBc	dBc
Return Loss		Min. 12 dB	21.5 dB
Ripple		< 1 dB	dB
Impedance		In / Out : 50 Ω	In / Out : 50 Ω

(4) Torque for Tuning Screw		> 60gf · cm
(5) Temperature Condition:		
Operating Temperature	0°C ~ +60°C	
Storage Temperature	-20°C ~ +70°C	
(6) Input Power	> 0.5Watt	



Approval C.Y.Chang	Supervisor C.K.Chang	Designer C.S.Chang	Aperture size 5W3(3.8*3.5)*(3.61) 5HW020LB4.5
-----------------------	-------------------------	-----------------------	---

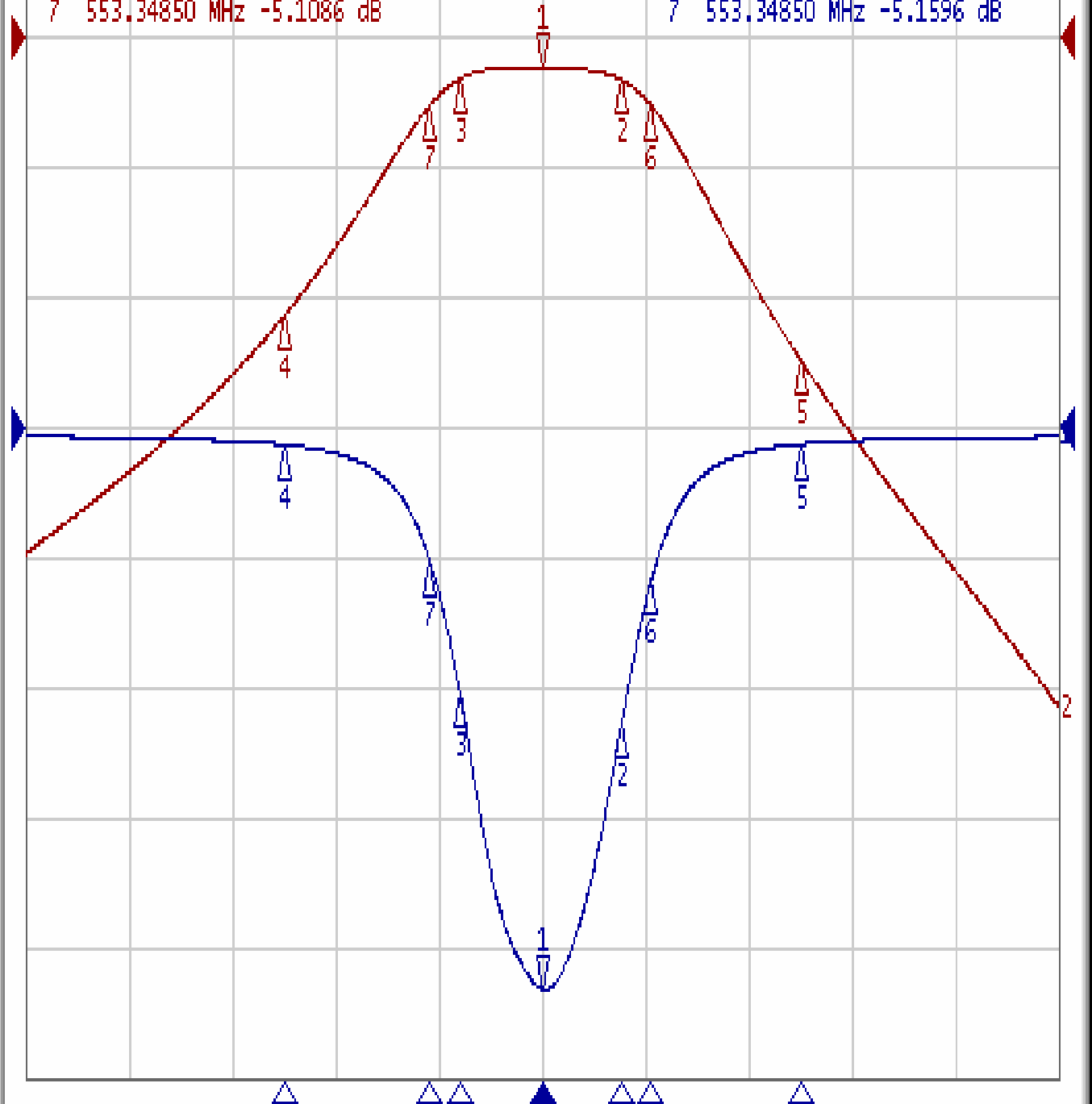
TEMWELL CORPORATION

Performance-TTW3909B-575M

200901025CD

Tr1 S11 Log Mag 5.000dB/ Ref 0.000dB [F3]
Tr2 S21 Log Mag 10.00dB/ Ref 0.000dB [F3]

1	575.00000 MHz	-2.1783 dB	>1	575.00000 MHz	-21.590 dB
2	590.33450 MHz	-3.1911 dB	2	590.33450 MHz	-11.389 dB
3	559.05250 MHz	-3.1208 dB	3	559.05250 MHz	-10.205 dB
4	525.00000 MHz	-21.389 dB	4	525.00000 MHz	-0.6273 dB
5	625.00000 MHz	-24.746 dB	5	625.00000 MHz	-0.6094 dB
6	596.13725 MHz	-5.1753 dB	6	596.13725 MHz	-5.8337 dB
7	553.34850 MHz	-5.1086 dB	7	553.34850 MHz	-5.1596 dB



1 Center 575 MHz

IFBW 10 kHz

Span 200 MHz

