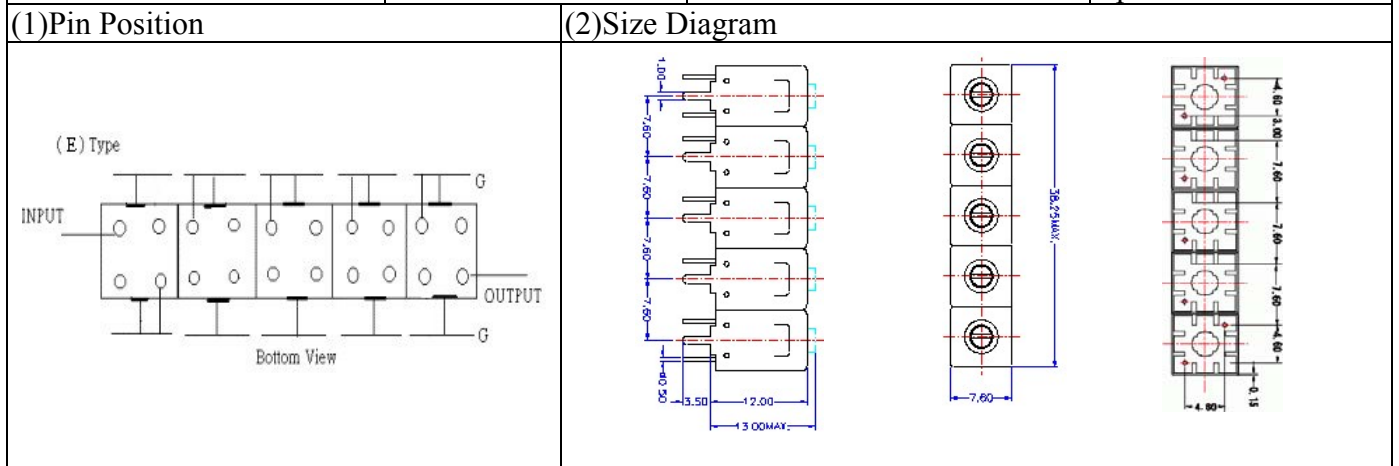


VHF UHF Helical Filter Specification Sheet

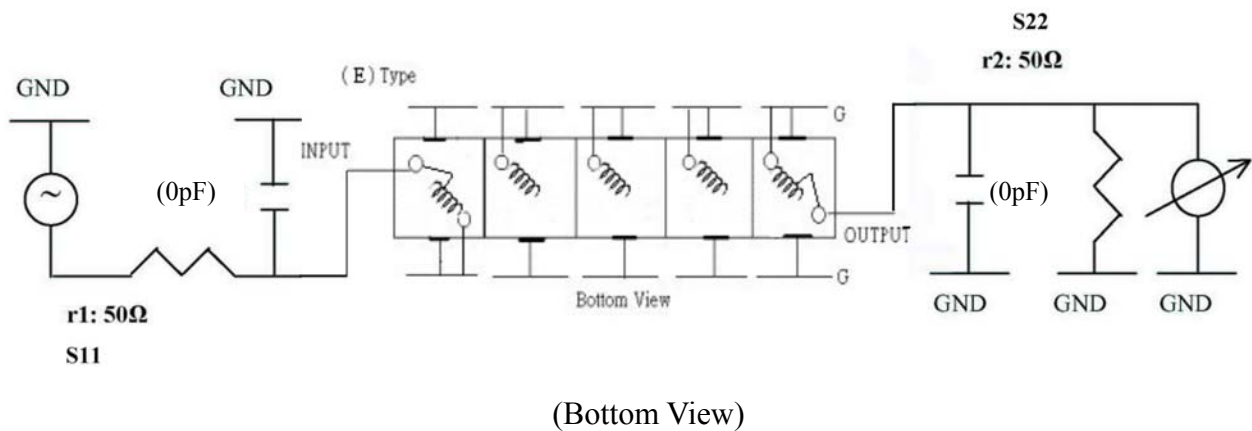
Customer Name		Temwell's Part No.	TV65231E-450M
Approval No. /dated	0904157APR	Temwell's Print Name.	65231E 450M
Work Instruction No.	200904157BD	Date	Apr.27.2009



(3) Electric Character			
Item		Specify	Performance
Center Freq.(Fo) +/- 0.5 %		450 MHz	450 MHz
Insertion Loss		Typ. 4.0 dB	3.38 dB
-3 dB Bandwidth		Typ. 16 MHz	18.8 MHz
Sensitivity (Attenuation)	Fo - 30 MHz	Typ. 58 dBc	64 dBc
	Fo + 30 MHz	Typ. 45 dBc	51 dBc
	Fo - ()MHz	Typ. dBc	dBc
	Fo +()MHz	Typ. dBc	dBc
Return Loss		Min. 12 dB	18.5 dB
Ripple		< 1 dB	dB
Impedance		In / Out : 50 Ω	In / Out : 50 Ω
(4) Torque for Tuning Screw		> 100gf · cm	

(5) Temperature Condition:	
Operating Temperature	0°C ~ +60°C
Storage Temperature	-20°C ~ +70°C
(6) Input Power	> 1Watt

(7) Measuring Circuit: ※Easy to match Impedance S11/S22 50Ω by parallel with about(0pF) / (0pF).



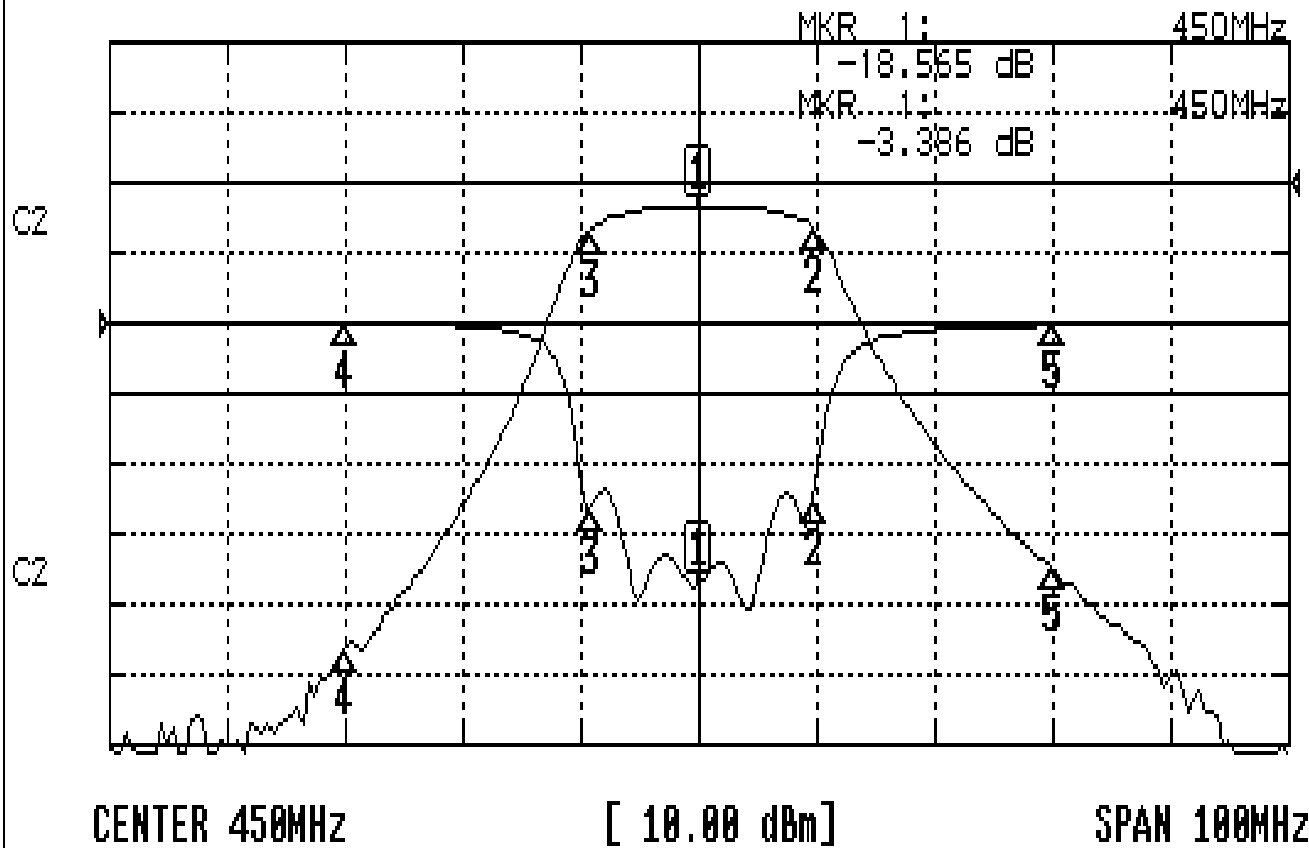
Approval	Supervisor	Designer	Aperture size
C.Y.Chang	C.K.Chang	C.H.Yeh	7H5S(4*6.5)(6.59) 7H046LB4.3 聚 3

TEMWELL CORPORATION

Performance-TV65231E-450M

200904157BD

CH1 S11 LOG MAG REF 0.000 dB 5.000 dB/
CH2 S21 LOG MAG REF 0.000 dB 10.000 dB/



CH1 MARKER LIST

1	450.000MHz	-18.565 dB
2	459.750MHz	-12.513 dB
3	440.916MHz	-13.018 dB
4	420.000MHz	-0.031 dB
5	480.000MHz	-0.129 dB

CH2 MARKER LIST

1	450.000MHz	-3.384 dB
2	459.750MHz	-16.446 dB
3	440.916MHz	-16.369 dB
4	420.000MHz	-17.947 dB
5	480.000MHz	-55.228 dB