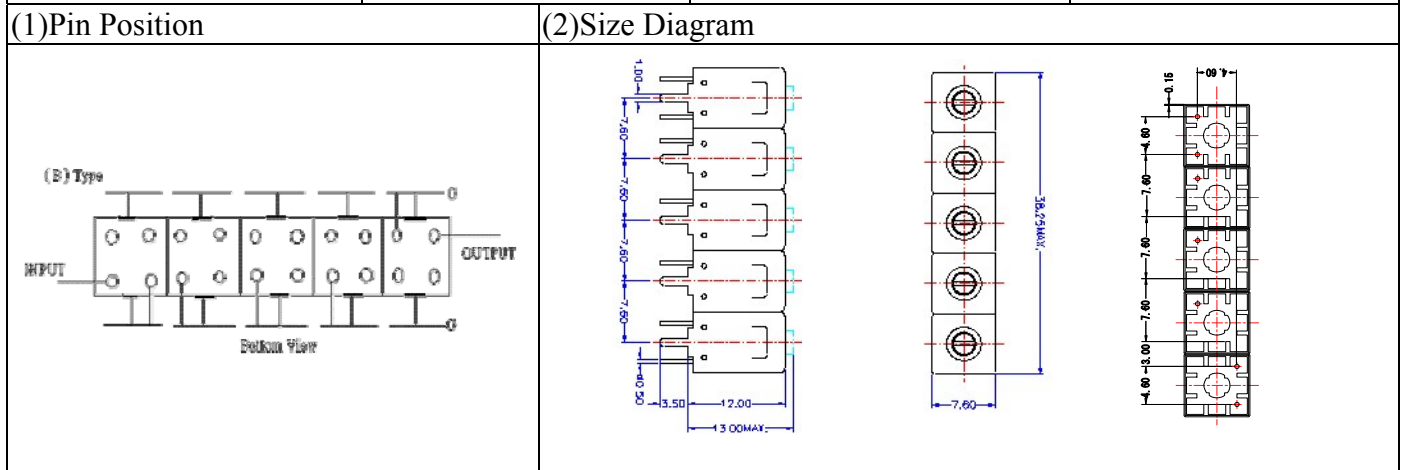


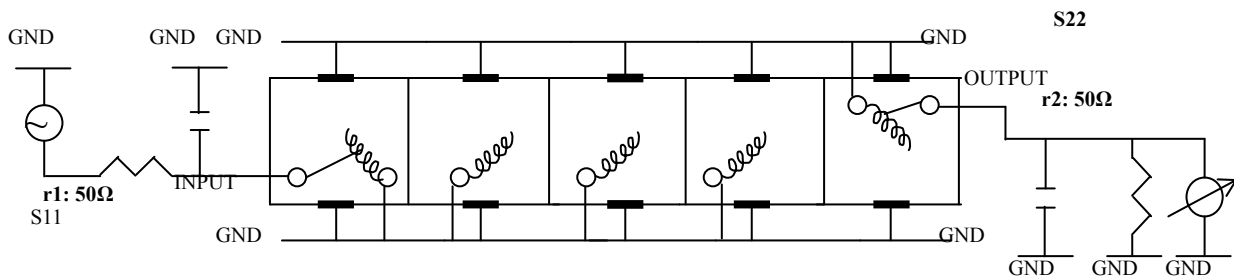
VHF UHF Helical Filter Specification Sheet

Customer Name		Temwell's Part No.	TV70371B-77M
Approval No. /dated	201807014CD	Temwell's Print name.	70371B 77M
Work Instruction No.	201807014CD	Date	Jul.20.2018



Item		Specify	Performance
Center Freq.(Fo) +/- 0.5 %		77 MHz	77 MHz
Insertion Loss		Typ. 3.0 dB	2.14 dB
-3 dB Bandwidth		Typ. 17 MHz	17.7 MHz
Sensitivity (Attenuation)	Fo - 50 MHz	Typ. 67 dBc	77 dBc
	Fo + 50 MHz	Typ. 67 dBc	77 dBc
	Fo - ()MHz	Typ. dBc	dBc
	Fo +()MHz	Typ. dBc	dBc
Return Loss		Min. 12 dB	23.1 dB
Ripple		< 1 dB	dB
Impedance		In / Out : 50 Ω	In / Out : 50 Ω
(4)Torque for Tuning Screw		> 60gf · cm	
(5)Temperature Condition:			
Operating Temperature		0°C ~ +60°C	
Storage Temperature		-20°C ~ +70°C	
(6)Input Power		> 1Watt	

(7)Measuring Circuit: ※Easy to match Impedance S11/S22 50Ω by parallel with about(- -).



(Bottom View)

Approval	Supervisor	Designer	Aperture size
C.Y.Chang	C.K.Chang	M.Y.Kang	7H5S(4*8.0)(8.04) 7H00LB6

TEMWELL CORPORATION

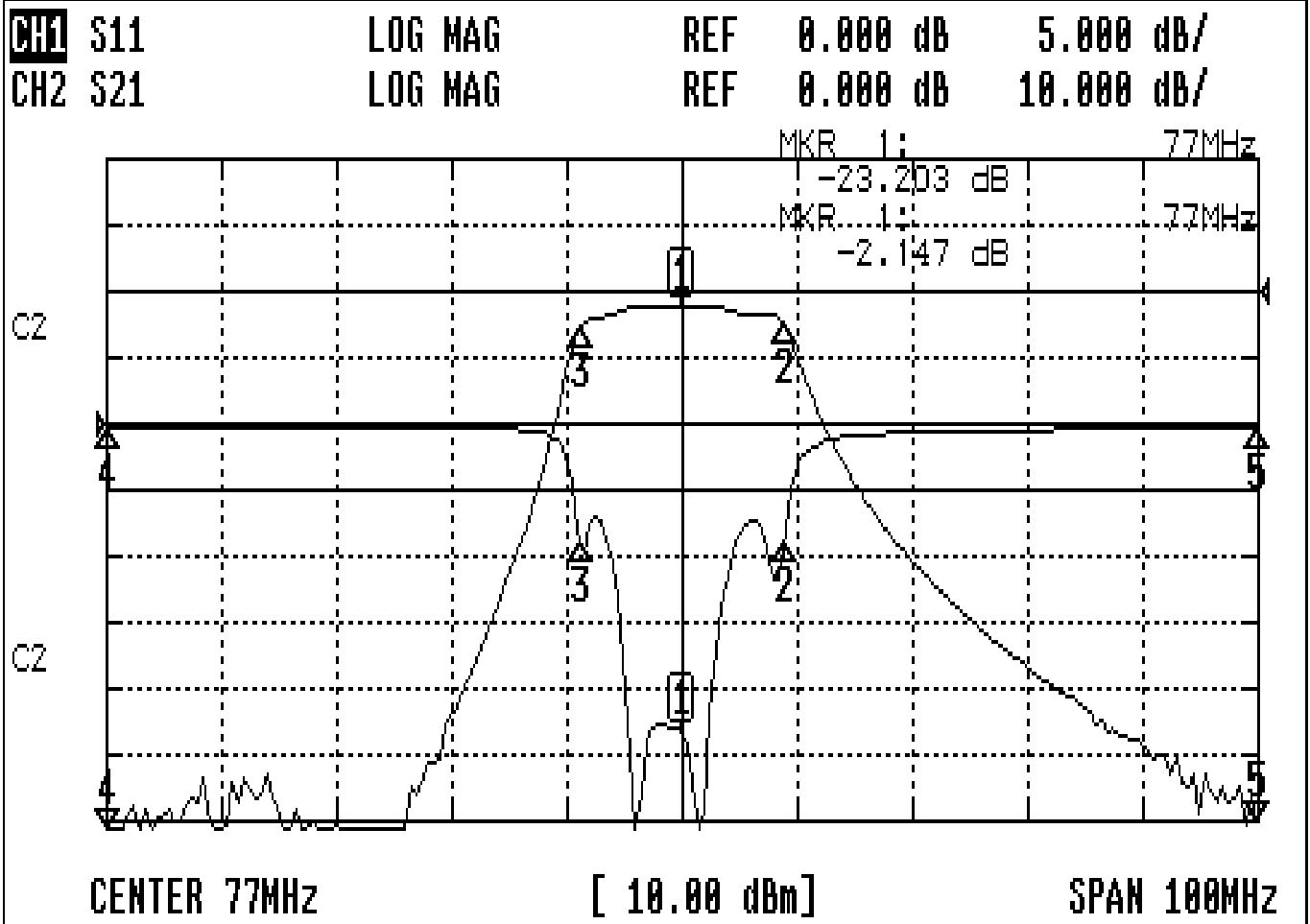
TEMWELL

Form10-7H5B Vision D

RP(M.Y)

Performance-TV70371B-77M

201807014CD



CH1 MARKER LIST

1:	77.000MHz	-23.199 dB
2:	85.950MHz	-10.377 dB
3:	68.250MHz	-10.984 dB
4:	27.000MHz	-10.268 dB
5:	127.000MHz	-10.315 dB

CH2 MARKER LIST

1:	77.000MHz	-2.147 dB
2:	85.950MHz	-11.100 dB
3:	68.250MHz	-11.129 dB
4:	27.000MHz	-79.161 dB
5:	127.000MHz	-79.709 dB