



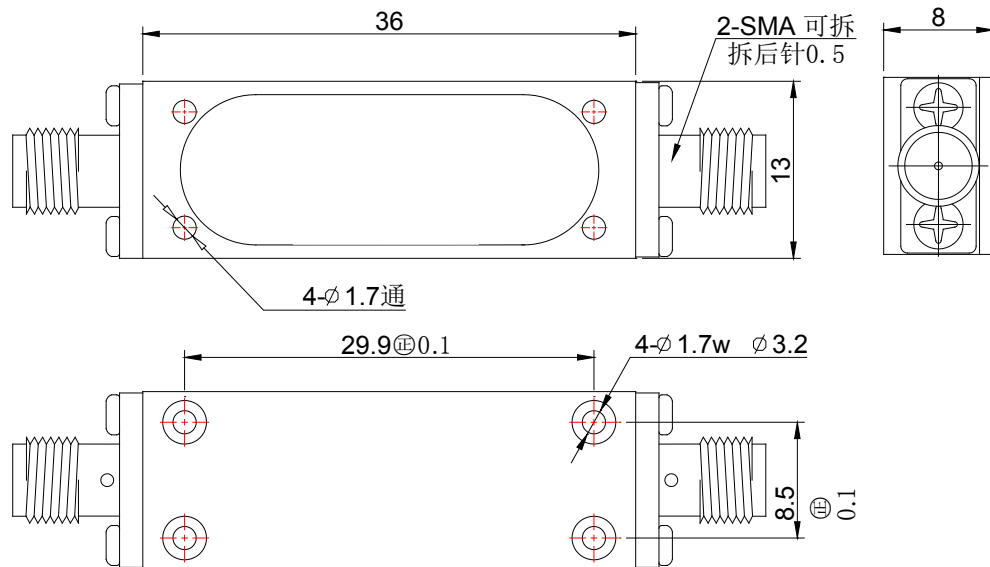
PRELIMINARY SPECIFICATION

Part No.: _____
 Customer: _____
 Date: Dec.28, 2016

Written by	Checked by	Approval

ELECTRICAL SPECIFICATIONS		
ITEM	SPEC	UNIT
1	Center freq [fo]	1850
2	Bandwidth [BW]	1000min
3	Insertion Loss in BW	4.0
4	V.S.W.R	1.8 max @ 1450~2150MHz
5	Return loss in BW	max
6	Attenuation	25 min. @ fo± [1150 &] MHz 18 min. @ fo± [1200 &] MHz 45 min. @ fo± [2650 &] MHz 50 min. @ fo± [2700 &] MHz 55 min. @ fo± [2750 &] MHz
7	Group Delay Variation	3max. @ 1400~2200MHz
8	Input Power	W
9	In/Out Impedance	50Ω
10	Operation Temperature Range	-40°C to +85°C

MECHANICAL SPECIFICATIONS



Unit: mm
 Material: H62 , TOL:0.2