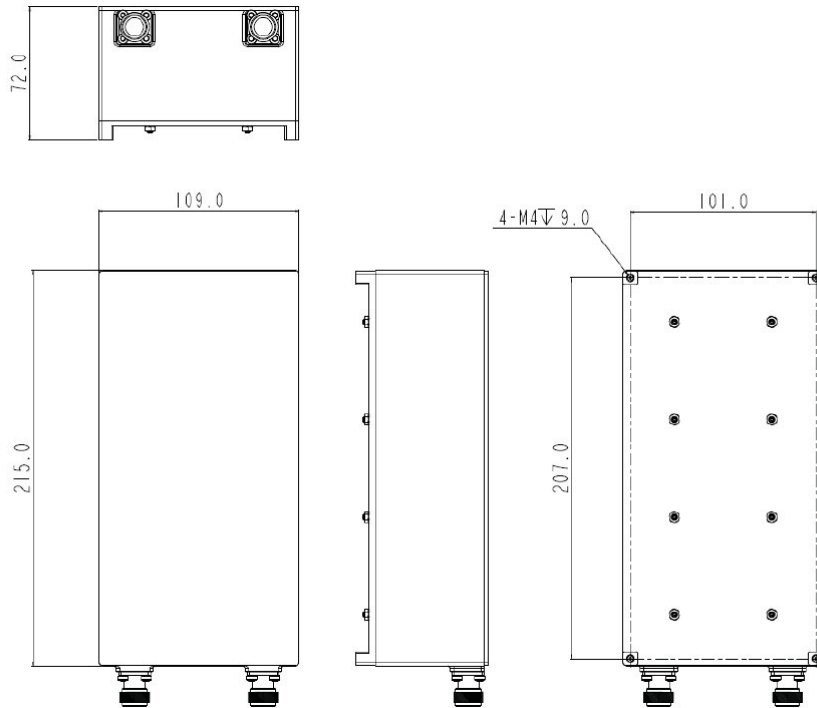


Cavity Band Stop Filter Preliminary Specifications

Serial	Parameters	
1	Stopband Frequency Range	440~452MHz
2	Passband Frequency Range	DC-430MHz & 462-1200MHz
3	Return Loss	$\geq 12\text{dB}$
4	Stopband Rejection	$\geq 35\text{dB}$
5	Impedance	50 ohms
6	Connectors	N-Female
7	Surface Finish	Conductive oxidation of aluminum alloy
8	Configuration	As Below (Size Unit: mm)



Simulation

