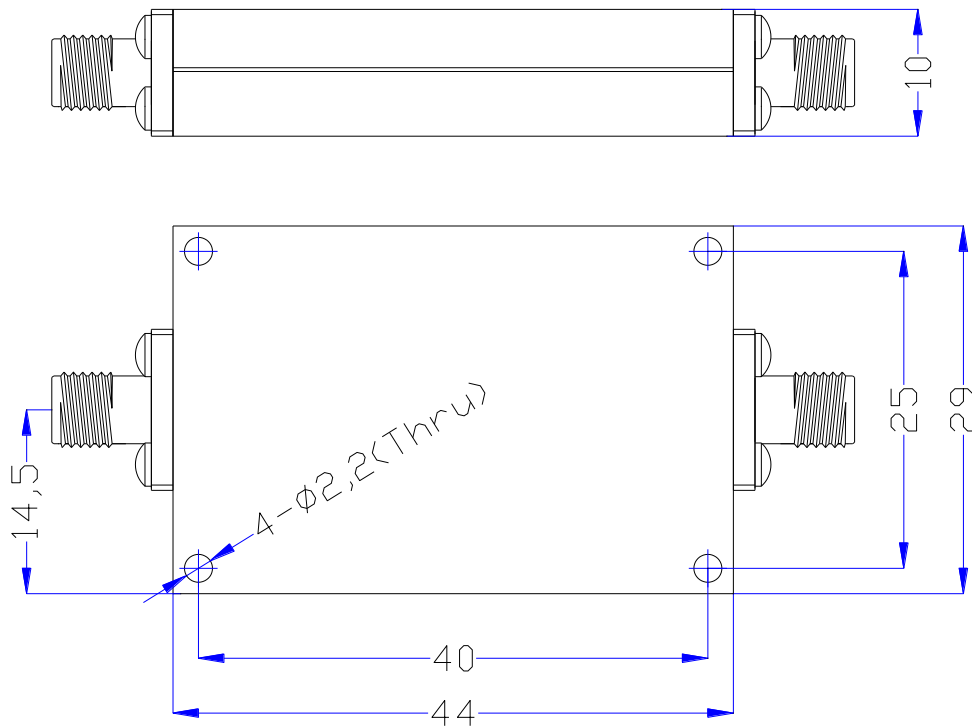


## 3.0-18GHz High Pass Filter

### Specifications

Serial	Parameters	
1	Cut Off Frequency	3.0GHz
2	Pass Band Frequency	3.0~18GHz
3	Pass Band Insertion Loss	$\leq 2.0\text{dB}$ @ 3.0~3.2GHz $\leq 1.0\text{dB}$ @ 3.2~18GHz
4	Pass Band VSWR	$\leq 1.5:1$
5	Stop Band Attenuation	$\geq 60\text{dB}$ @ DC~2.6GHz
6	Impedance	50 ohms
7	Power	$\leq 15\text{W}$
8	Connectors	SMA-Female
9	Surface Finish	Guided Oxygen or Black Paint
10	Temperature Range	-55°C ~ +85°C
11	Net weight	0.04 KG
12	Configuration	As Below (Size Unit: mm)



# Performance

