



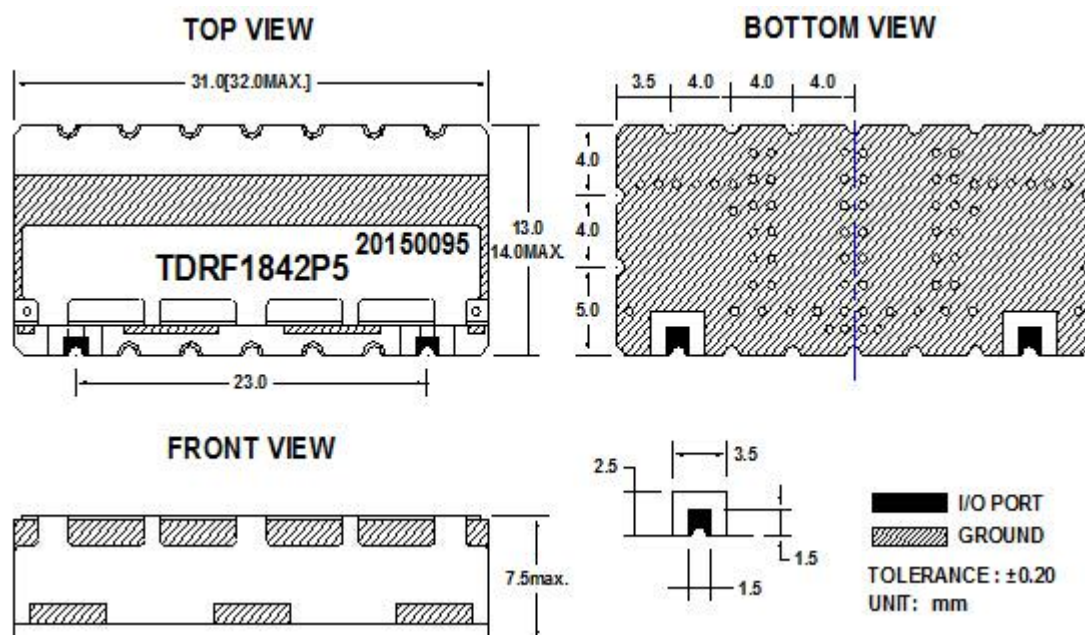
SPECIFICATION

Part No.: _____
 Customer: _____
 Date: **2015-08-06**

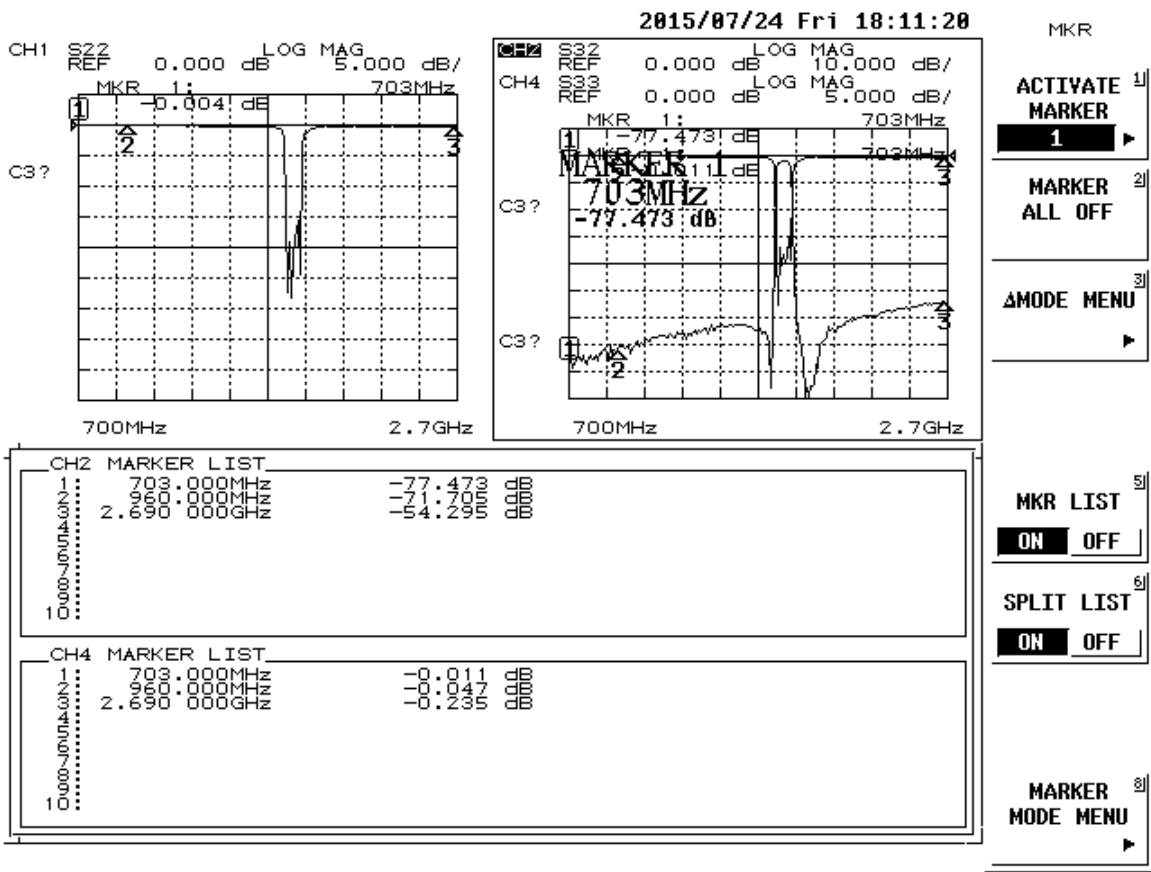
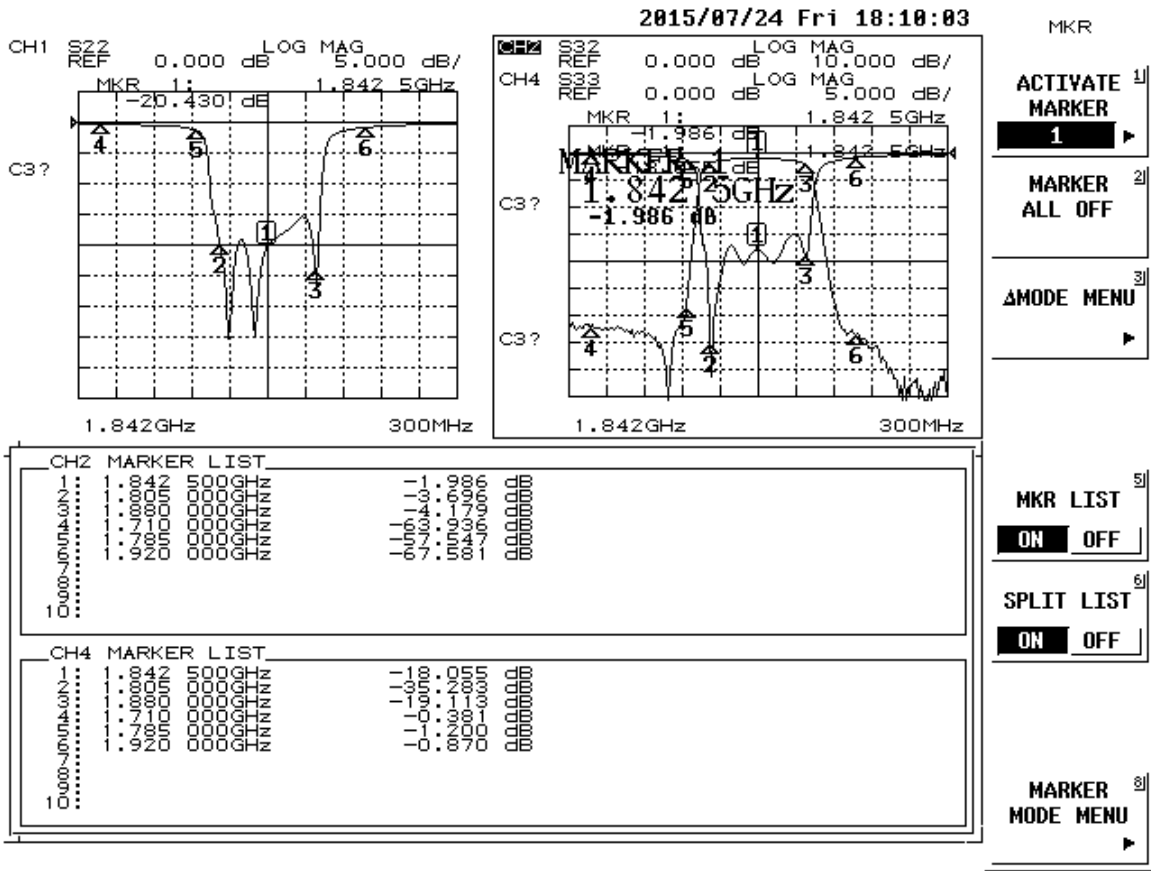
Written by	Checked by	Approval
FL Lai	MY Chen	CK Chang

ELECTRICAL SPECIFICATIONS		
ITEM	SPEC	UNIT
1	Center Frequency [fo]	1842.5
2	Bandwidth [BW]	Fo ±37.5 [1805.0~1880.0]
3	Insertion Loss in Fo	3.0
4	Ripple in BW	2.0
5	Return Loss in BW	13.0
6	Attenuation [Absolute Value]	40 dBc min @ 1710~1785 MHz 40 dBc min @ 703~960 MHz 40 dBc min @ 1920~2690 MHz
7	Input Power	3.0
8	In/Out Impedance	50
9	Operation Temperature Range	-40 ~ +85

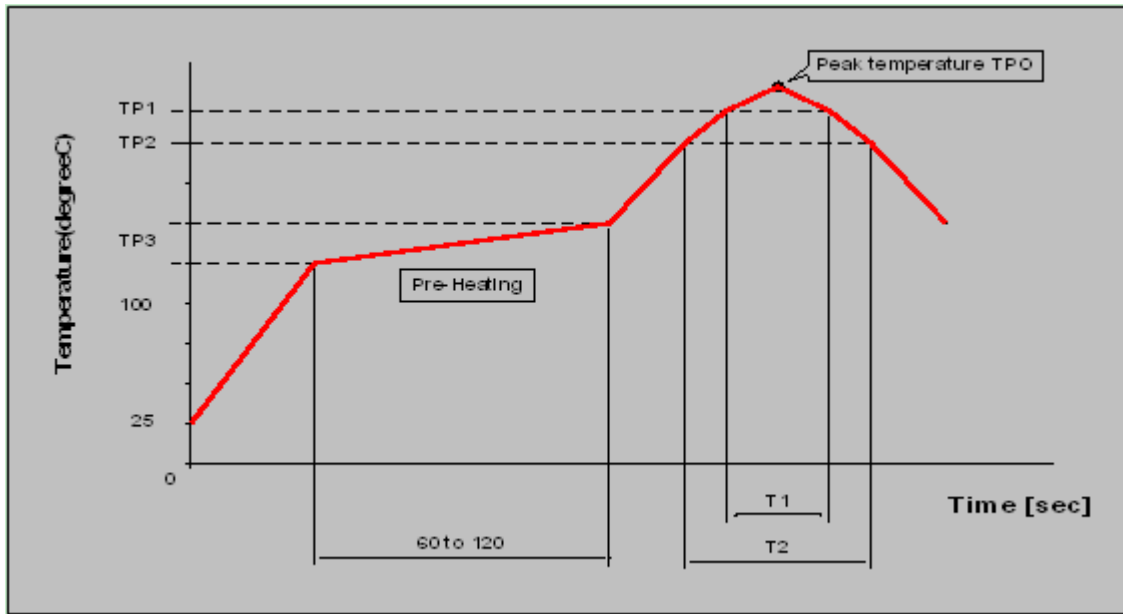
DIMENSIONS



PERFORMANCE



SOLDERING CONDITION



Measuring point of temperature : IN-OUT Terminals of The Device

Reflow Soldering : Both Convection and Infrared Rays, Hot Air and Hot Plate

Reflow standard condition	TPO (°C)	TP1 (°C)	T1 (s)	TP2 (°C)	T2 (s)	TP3 (°C)
Sn-3Ag-0.5 solder	245+/-5	220	30 to 60	—	—	150 to 130
Test condition of reflow teat resistance	260+5/-0	240	20	220	70	150 to 130