

4.0 to 7.2GHz – Coaxial Circulator

Design Features

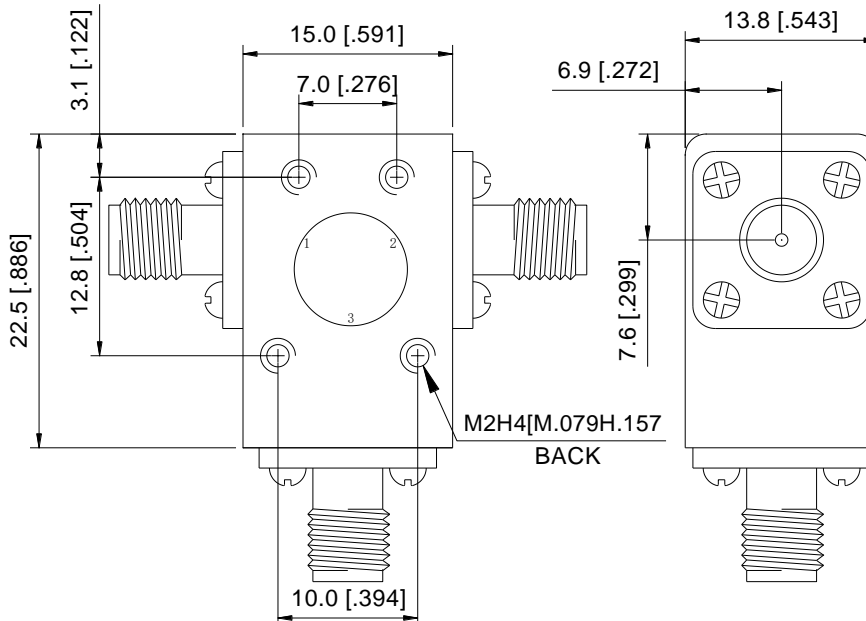
- ◆ Can be dual junction even three for high isolation.
- ◆ High RF performance, ultra-competitive price.
- ◆ Custom design available upon request.
- ◆ Guaranteed for one year standard.

RF Characteristics

Model Number	Freq. Range (GHz)	Insertion Loss Max(dB)	Isolation Min(dB)	VSWR Max	Forward Power(W)	Reverse Power(W)	Connector Type	Temp.(°C)
TSCC1522A40T42SF	4.0 ~ 4.2	0.3	23	1.2	60	60	SMA-F	-40 ~ +85
TSCC1522A42T47SF	4.2 ~ 4.7	0.35	23	1.2	60	60	SMA-F	-40 ~ +85
TSCC1522A44T5SF	4.4 ~ 5.0	0.4	18	1.3	60	60	SMA-F	-40 ~ +85
TSCC1522A45T55NF	4.5 ~ 5.5	0.5	18	1.3	60	60	N-F	-40 ~ +85
TSCC1522A44T51SF	4.4 ~ 5.1	0.4	18	1.3	60	60	SMA-F	-40 ~ +85
TSCC1522A47T52SF	4.7 ~ 5.2	0.35	23	1.2	60	60	SMA-F	-40 ~ +85
TSCC1522A5T6SF	5.0 ~ 6.0	0.5	18	1.3	60	60	SMA-F	-40 ~ +85
TSCC1522A5T6NF	5.0 ~ 6.0	0.5	18	1.3	60	60	N-F	-40 ~ +85
TSCC1522A5T55SF	5.0 ~ 5.5	0.35	23	1.2	60	60	SMA-F	-40 ~ +85
TSCC1522A51T585SF	5.1 ~ 5.85	0.35	23	1.2	60	60	SMA-F	-40 ~ +85
TSCC1522A55T6SF	5.5 ~ 6.0	0.35	23	1.2	60	60	SMA-F	-40 ~ +85
TSCC1522A565T715SF	5.65 ~ 7.15	0.5	18	1.35	60	60	SMA-F	-40 ~ +85
TSCC1522A57T59SF	5.7 ~ 5.9	0.3	23	1.2	60	60	SMA-F	-40 ~ +85
TSCC1522A58T72SF	5.8 ~ 7.2	0.4	20	1.25	60	60	SMA-F	-40 ~ +85

- ◇ List are specify frequency range and other ranges available.
- ◇ Please enter below information when inquiry and mark * is must.
 - * 1. The specific frequency range
 - * 2. Power handling (Forward, Reverse, Peak, etc.)
 - * 3. Connect type (SMA Male/ Female, N Male/ Female, etc.)
 - * 4. Other special request if have (Insertion Loss, Isolation, VSWR, Temperature, Dimension, etc.)

Mechanical Drawing



Unit: mm/ inch, General part tolerance is ± 0.2 mm unless otherwise stated.

Ver. 5