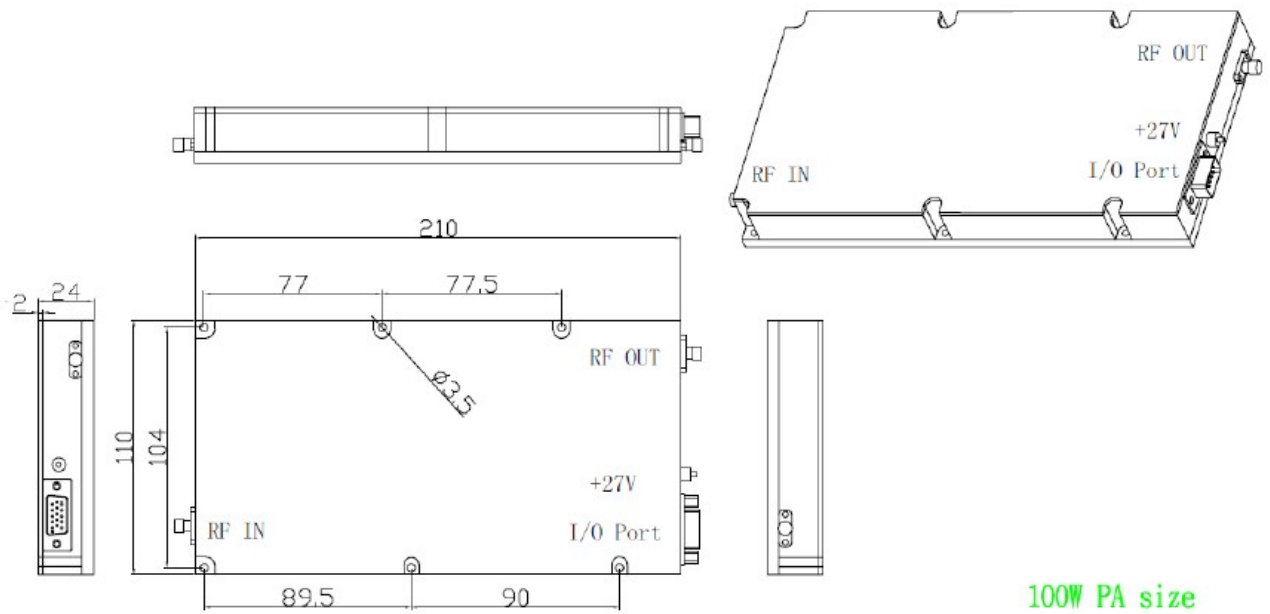
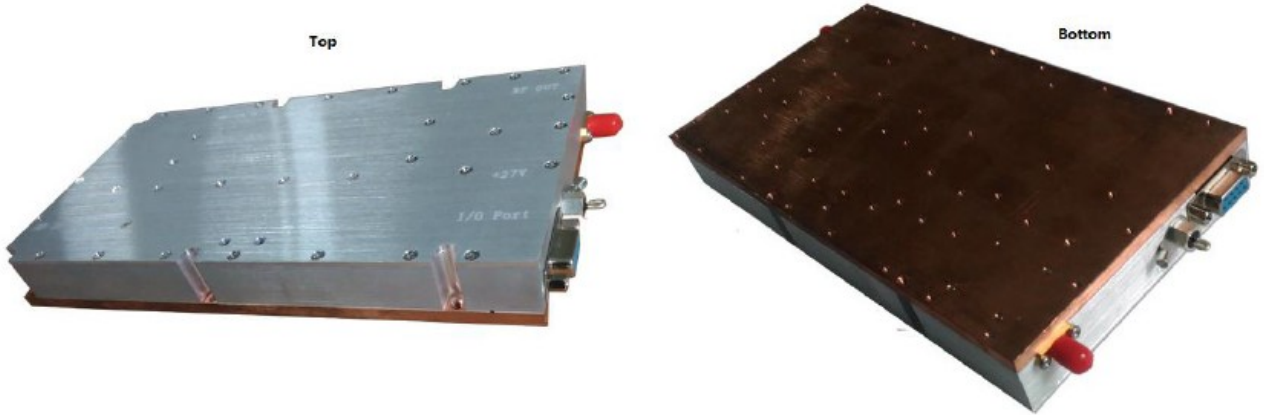


## Power Amplifier Specifications

Serial	Parameters		Specifications	Test Results
1	Frequency Range		2110-2170MHz	YES
2	Output Power		43dBm	43.5dBm
3	ACPR		-40dBC	-40.5dBC
4	Working Current		<6A	5.5A
5	PA Gain		>50dB	51dB
6	PA Gain Adjust		31dB,1dB Step	OK
7	In-Band Ripple		2dB	0.2dB
8	IN/OUT VSWR		≤1.5	1.35
9	Working Voltage		28VDC	OK
10	RF IN/OUT Ports		SMA - Female	OK
11	Power Supply Port		Pull-core Capacitance	YES
12	Working Temperature		- 25°C to ..65°C	OK
13	Protection		Shutdown more than 75°C , auto-restart less than 50°C	OK
			Shutdown over High-VSWR, auto-restart after 30s	OK
14	I/O Port	DB15 Female (Parall)	PIN1: 1dB (Hang in air or add 5V: No ATT; Grounding: Enable ATT)	√
			PIN2: 2dB (Hang in air or add 5V: No ATT; Grounding: Enable ATT)	√
			PIN3: 4dB (Hang in air or add 5V: No ATT; Grounding: Enable ATT)	√
			PIN4: 8dB (Hang in air or add 5V: No ATT; Grounding: Enable ATT)	√
			PIN5:16dB (Hang in air or add 5V: No ATT; Grounding: Enable ATT)	√
			PIN7: VSWR (Reflected RF Power Indicator; Max voltage:5V)	OK 43dBm, 3.1V
			PIN10: P/L (Output RF Power Indicator; Max voltage:4V)	43dBm, 3.9V
			PIN11: LE /EN (5V: PA OFF; Hang in air or grounding: PA ON)	OK
			PIN14: T/L(Temperature Indicator :0.01V/1Celsius)	0.75, 25°C
			PIN15: GND	√
		PIN6, PIN8,PIN9, PIN12, PIN13: NC	√	
15	Dimension		210*110*25mm (Exclusive Connector)	√
16	Configuration		As below (Size Unit: mm)	
17	Power Supply (add)		48V-28V	OK



100W PA size

