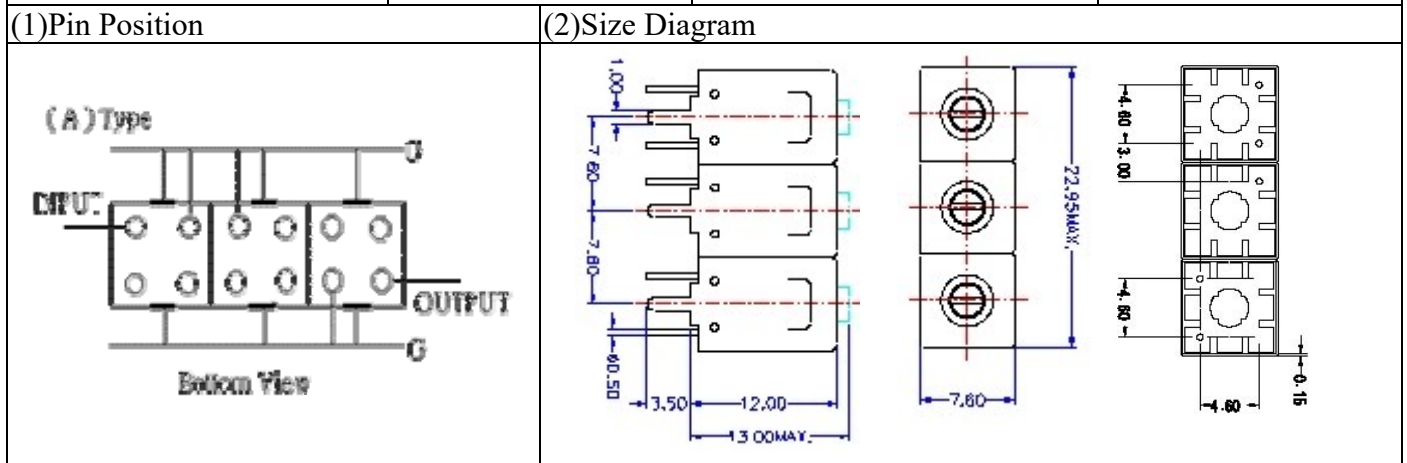


VHF UHF Helical Filter Specification Sheet

Customer Name		Temwell's Part No.	TT63616A-515M
Approval No. /dated	201611009CD	Temwell's Print name	63616A 515M
Work Instruction No.	201611009CD	Date	Dec.20.2016



(3) Electric Characteristic

Item	Specify	Performance
Center Freq.(Fo) +/- 0.5 %	515 MHz	515 MHz
Insertion Loss	Typ. 3.5 dB	3.27 dB
-3 dB Bandwidth	Typ. 10 MHz	13.1 MHz
Sensitivity (Attenuation)	Fo - 20 MHz	Typ. 30 dB
	Fo +20 MHz	Typ. 25 dB
	Fo - ()MHz	Typ. dB
	Fo +()MHz	Typ. dB
Return Loss	Min. 12 dB	16.2 dB
Ripple	< 1 dB	dB
Impedance	In / Out : 50 Ω	In / Out : 50 Ω

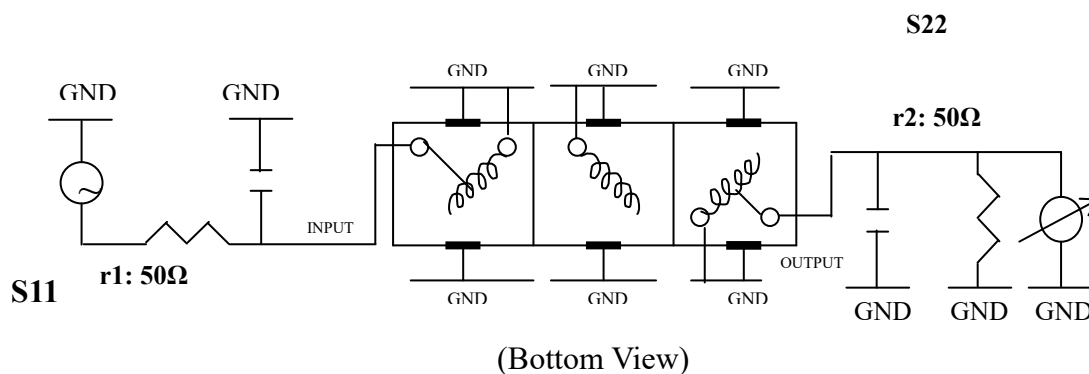
(4) Torque for Tuning Screw > 60gf · cm

(5) Temperature Condition:

Operating Temperature	0°C ~ +60°C
Storage Temperature	-20°C ~ +70°C

(6) Input Power > 1Watt

(7) Measuring Circuit: ※Easy to match Impedance S11/S22 50Ω by parallel with about(- -).



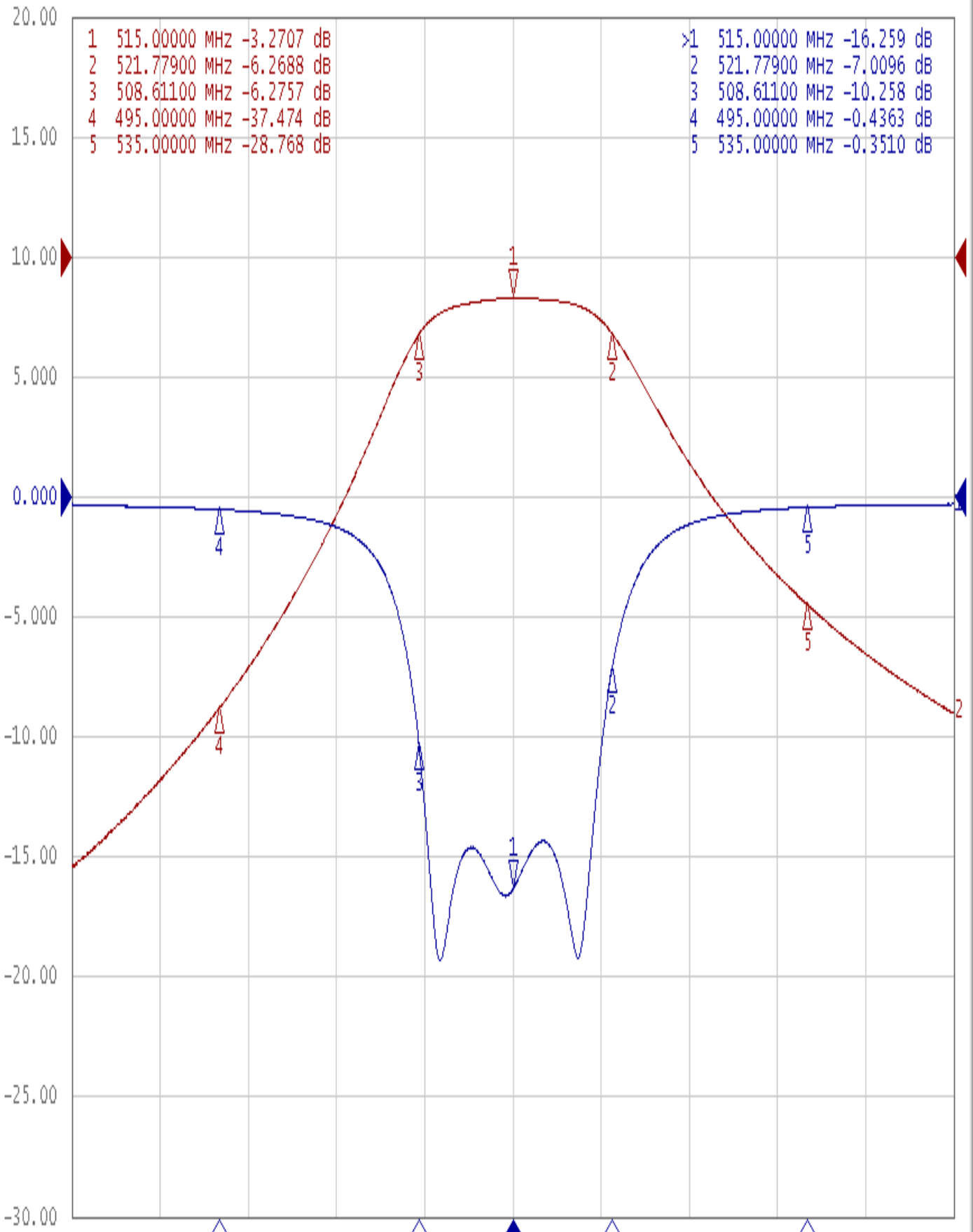
Approval C.Y.Chang	Supervisor C.K.Chang	Designer C.S.Chang	Aperture size 7H3S(4*5.5)(5.52) 7H046LB4.3 聚 3
-----------------------	-------------------------	-----------------------	--

TEMWELL CORPORATION

Performance-TT63616A-515M

201611009CD

Tr1 S11 Log Mag 5.000dB/ Ref 0.000dB [F2]
Tr2 S21 Log Mag 10.00dB/ Ref 0.000dB [F2]



1 Center 515 MHz

IFBW 10 kHz

Span 60 MHz Cor !