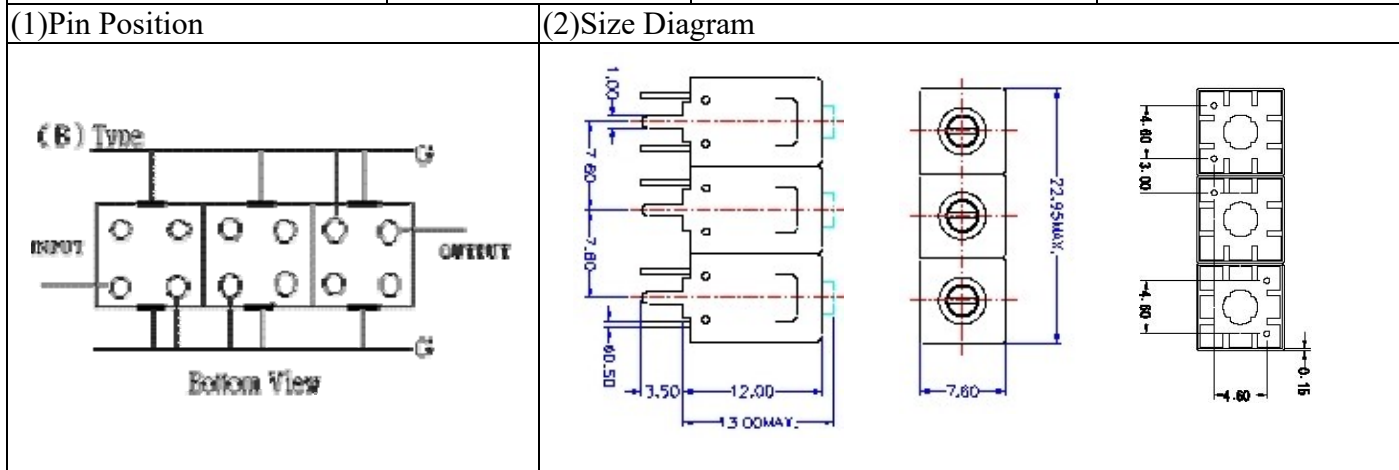


VHF UHF Helical Filter Specification Sheet

Customer Name		Temwell's Part No.	TT63619B-545M
Approval No. /dated		Temwell's Print name.	63619B 545M
Work Instruction No.	201611012CD	Date	Dec.06.2016



(3) Electric Characteristic

Item	Specify	Performance	
Center Freq.(Fo) +/- 0.5 %	545 MHz	545 MHz	
Insertion Loss	Typ. 3.5 dB	3.10 dB	
-3 dB Bandwidth	Typ. 10 MHz	13.8 MHz	
Sensitivity (Attenuation)	Fo - 20 MHz	Typ. 30 dB	34 dB
	Fo + 20 MHz	Typ. 25 dB	28 dB
	Fo - () MHz	Typ. dB	dB
	Fo + () MHz	Typ. dB	dB
Return Loss	Min. 12 dB	19.2 dB	
Ripple	< 1 dB	dB	
Impedance	In / Out : 50 Ω	In / Out : 50 Ω	

(4) Torque for Tuning Screw > 60gf · cm

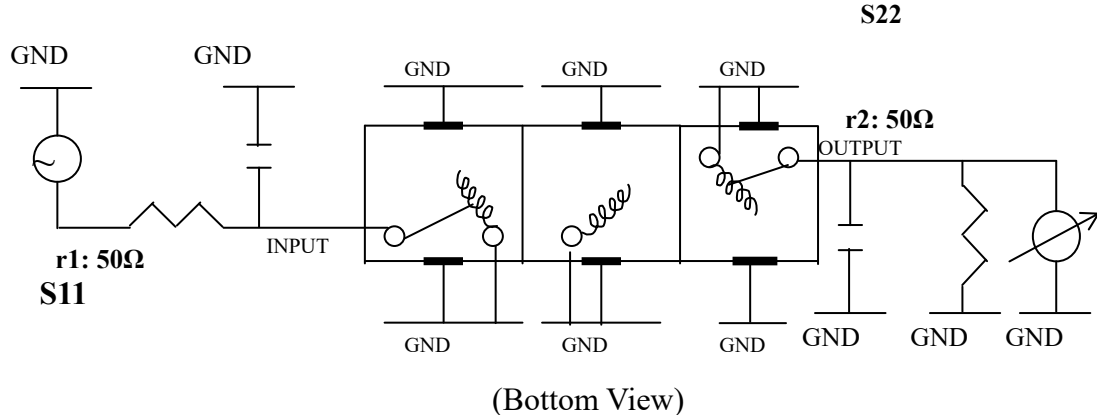
(5) Temperature Condition:

Operating Temperature	0°C ~ +60°C
-----------------------	-------------

Storage Temperature	-20°C ~ +70°C
---------------------	---------------

(6) Input Power > 1Watt

(7) Measuring Circuit: ※ Easy to match Impedance S11/S22 50Ω by parallel with about(--).

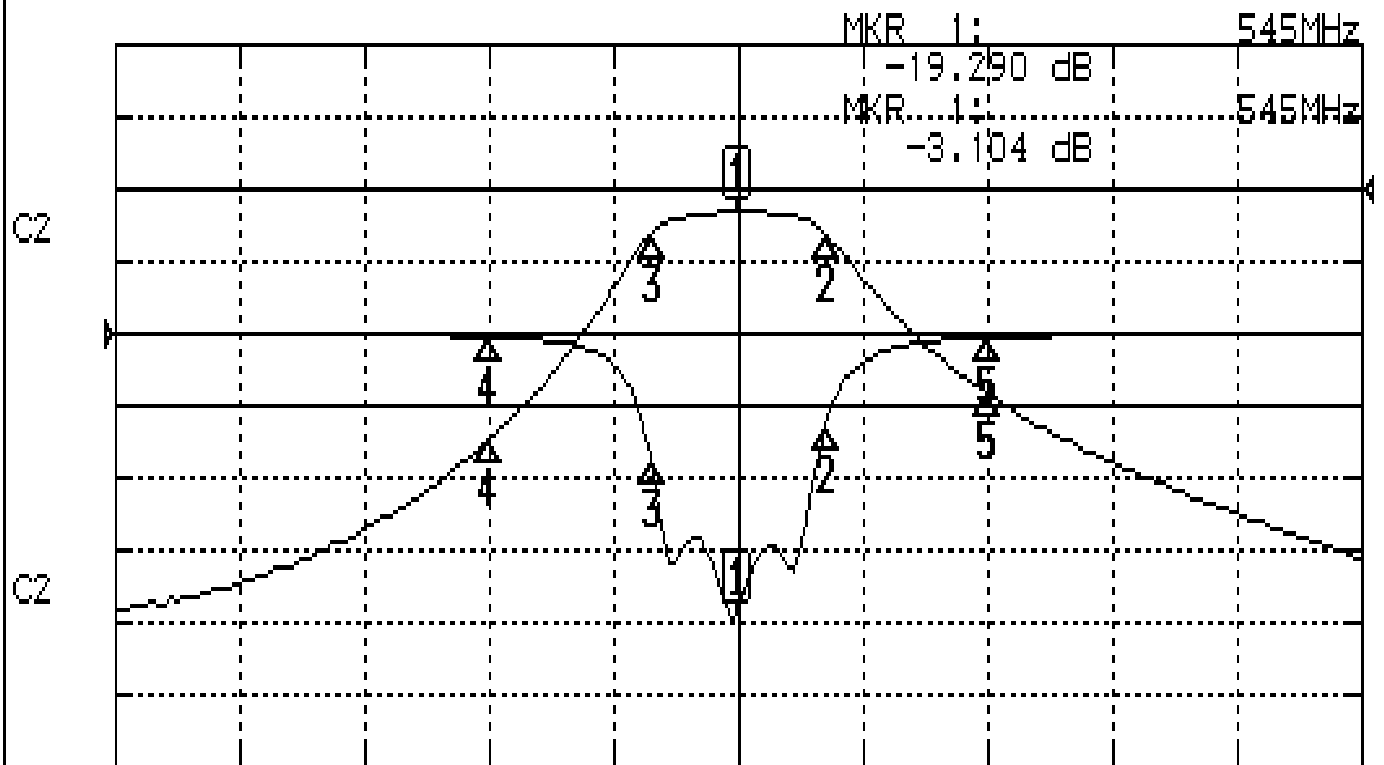


Approval C.Y.Chang	Supervisor C.K.Chang	Designer M.Y.Kang	Aperture size 7H3S(4*5.35)(5.42) 7H046RB4
-----------------------	-------------------------	----------------------	---

Performance-TT63619B-545M

201611012CD

CH1 S11 LOG MAG REF 0.000 dB 5.000 dB/
CH2 S21 LOG MAG REF 0.000 dB 10.000 dB/



CENTER 545MHz

[10.00 dBm]

SPAN 100MHz

CH1 MARKER LIST

Marker	Frequency (MHz)	Magnitude (dB)
1:	545.000MHz	-19.290 dB
2:	551.970MHz	-6.668 dB
3:	538.083MHz	-9.051 dB
4:	525.000MHz	-0.232 dB
5:	565.000MHz	-0.269 dB

CH2 MARKER LIST

Marker	Frequency (MHz)	Magnitude (dB)
1:	545.000MHz	-3.104 dB
2:	551.970MHz	-6.181 dB
3:	538.083MHz	-6.130 dB
4:	525.000MHz	-34.683 dB
5:	565.000MHz	-28.325 dB