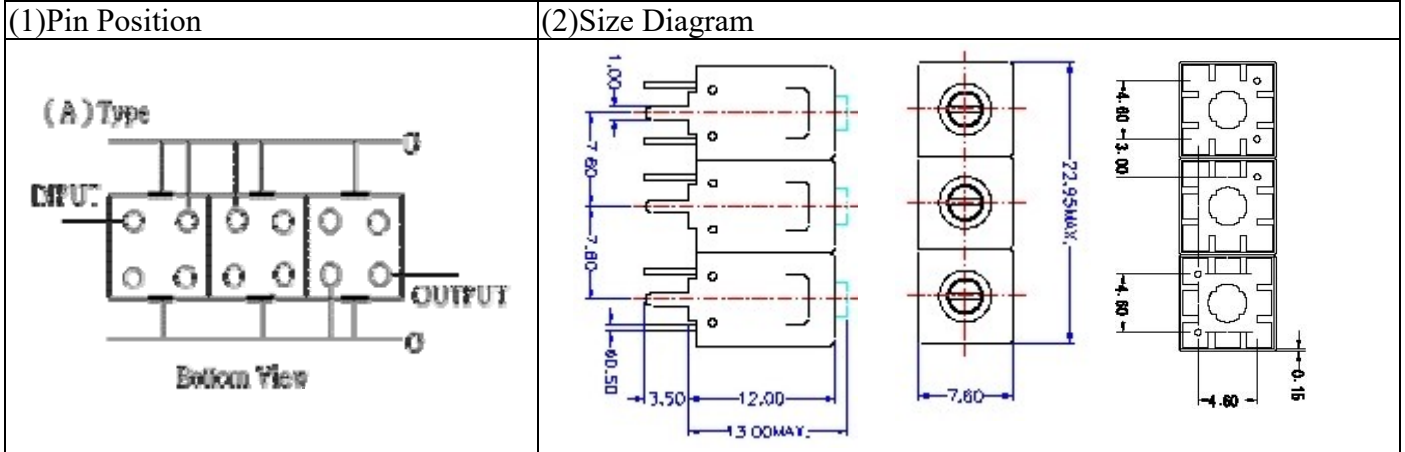
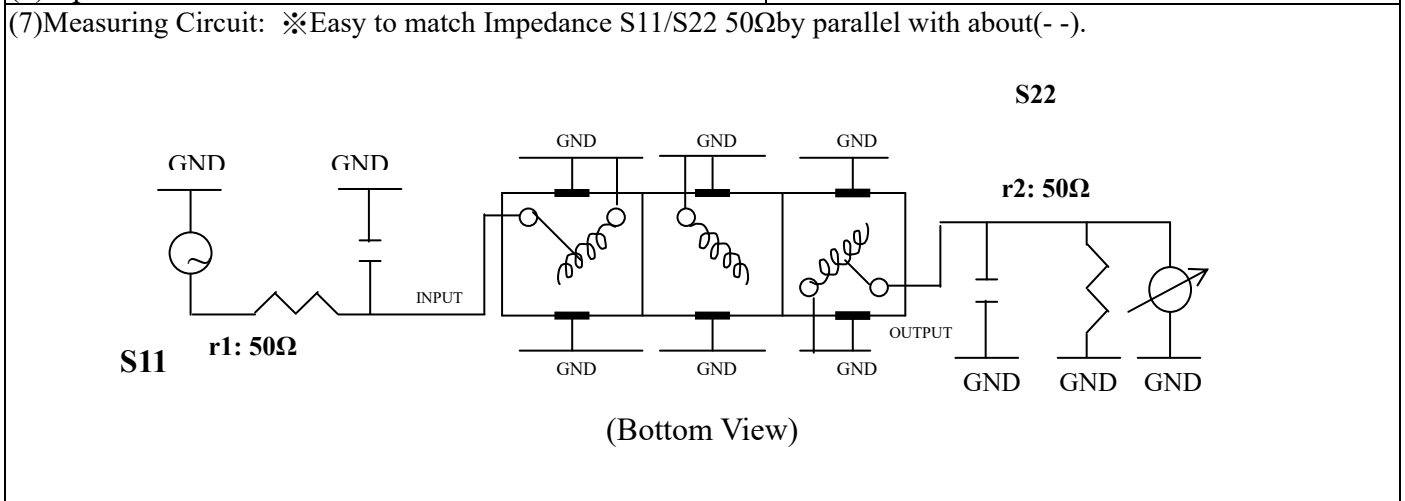


VHF UHF Helical Filter Specification Sheet

Customer Name		Temwell's Part No.	TT63622A-575M
Approval No. /dated		Temwell's Print name	63622A 575M
Work Instruction No.	201611015CD	Date	Dec.16.2016



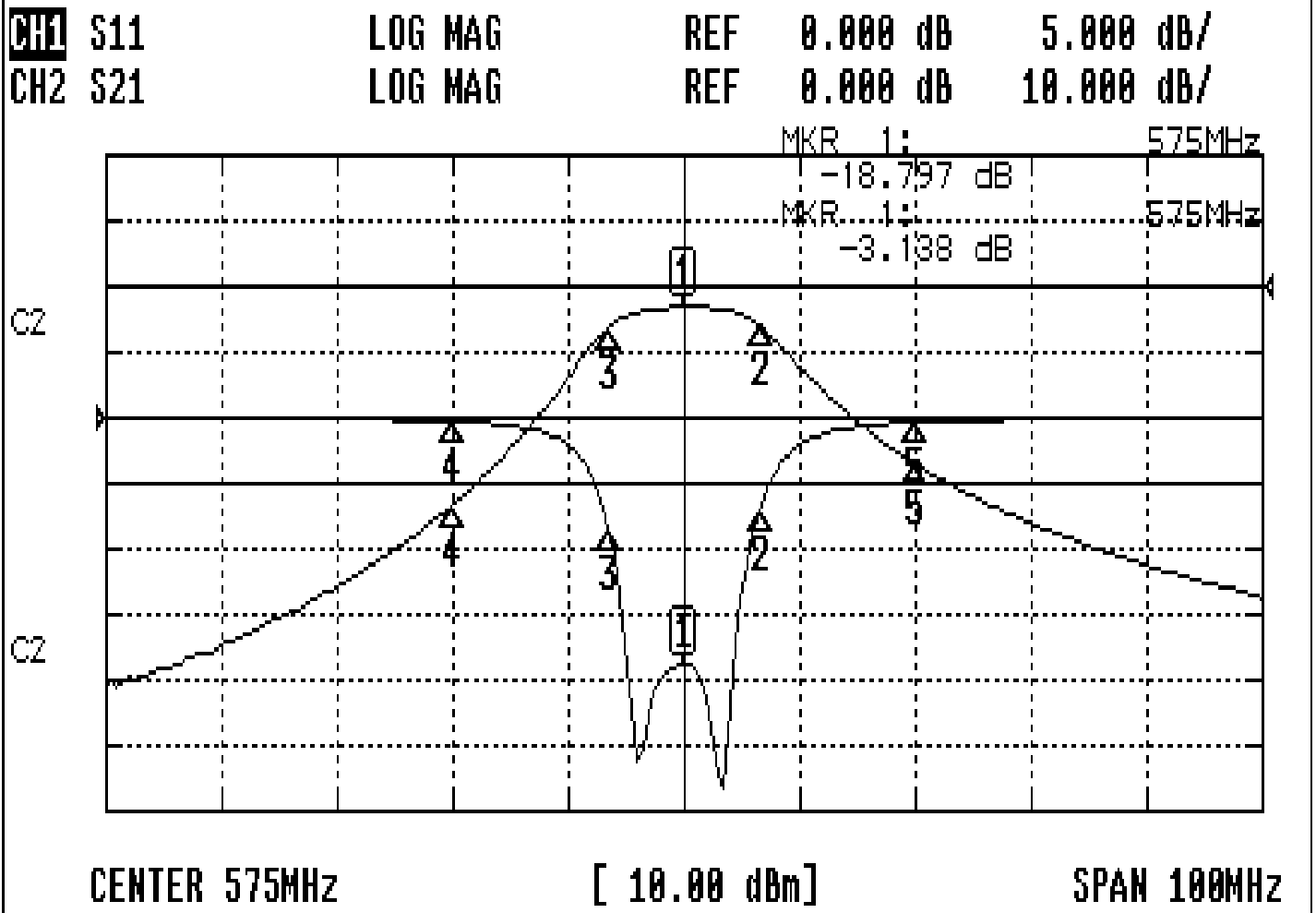
(3) Electric Chararistic					
Item		Specify		Performance	
Center Freq.(Fo) +/- 0.5 %		575 MHz		575 MHz	
Insertion Loss		Typ. 3.5 dB		3.13 dB	
-3 dB Bandwidth		Typ. 10 MHz		13.1 MHz	
Sensitivity (Attenuation)	Fo - 20 MHz	Typ. 30 dB		33 dB	
	Fo +20 MHz	Typ. 25 dB		27 dB	
	Fo - ()MHz	Typ. dB		dB	
	Fo +()MHz	Typ. dB		dB	
Return Loss		Min. 12 dB		18.7 dB	
Ripple		< 1 dB		dB	
Impedance		In / Out : 50 Ω		In / Out : 50 Ω	
(4) Torque for Tuning Screw		> 60gf • cm			
(5) Temperature Condition:					
Operating Temperature		0°C ~ +60°C			
Storage Temperature		-20°C ~ +70°C			
(6) Input Power		> 1Watt			



Approval C.Y.Chang	Supervisor C.K.Chang	Designer M.Y.Kang	Aperture size 7H3S(4*5.5)(5.57) 7H046LB4.3 聚 3
TEMWELL CORPORATION			

Performance-TT63622A-575M

201611015CD



CH1 MARKER LIST

1:	575.000MHz	-18.797	dB
2:	581.666MHz	-6.801	dB
3:	568.500MHz	-8.501	dB
4:	555.000MHz	-0.284	dB
5:	595.000MHz	-0.332	dB
10:			

CH2 MARKER LIST

1:	575.000MHz	-3.138	dB
2:	581.666MHz	-6.160	dB
3:	568.500MHz	-6.194	dB
4:	555.000MHz	-33.249	dB
5:	595.000MHz	-27.029	dB
10:			