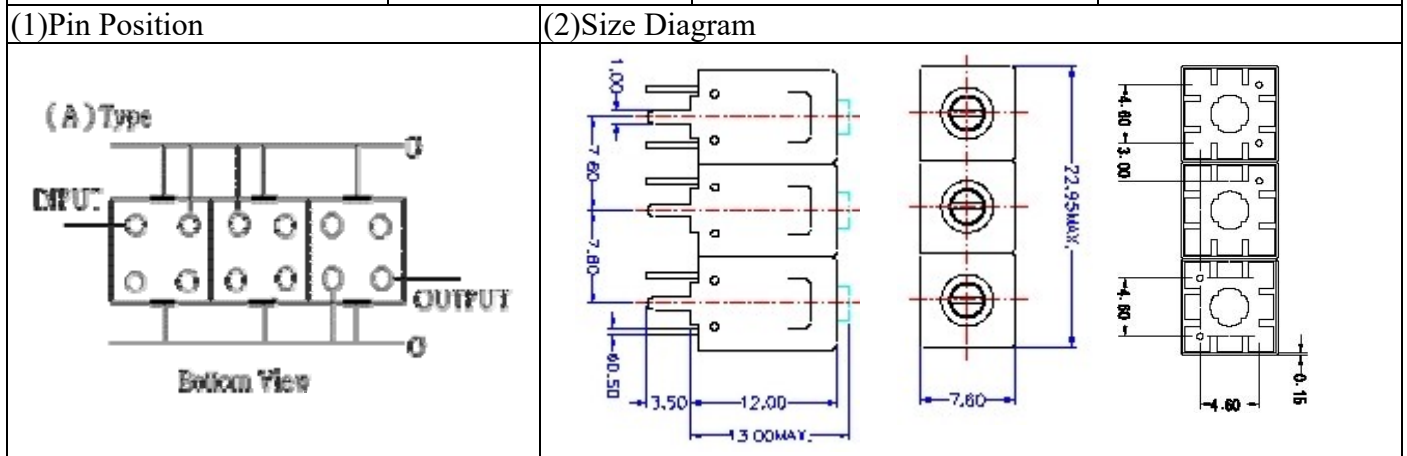


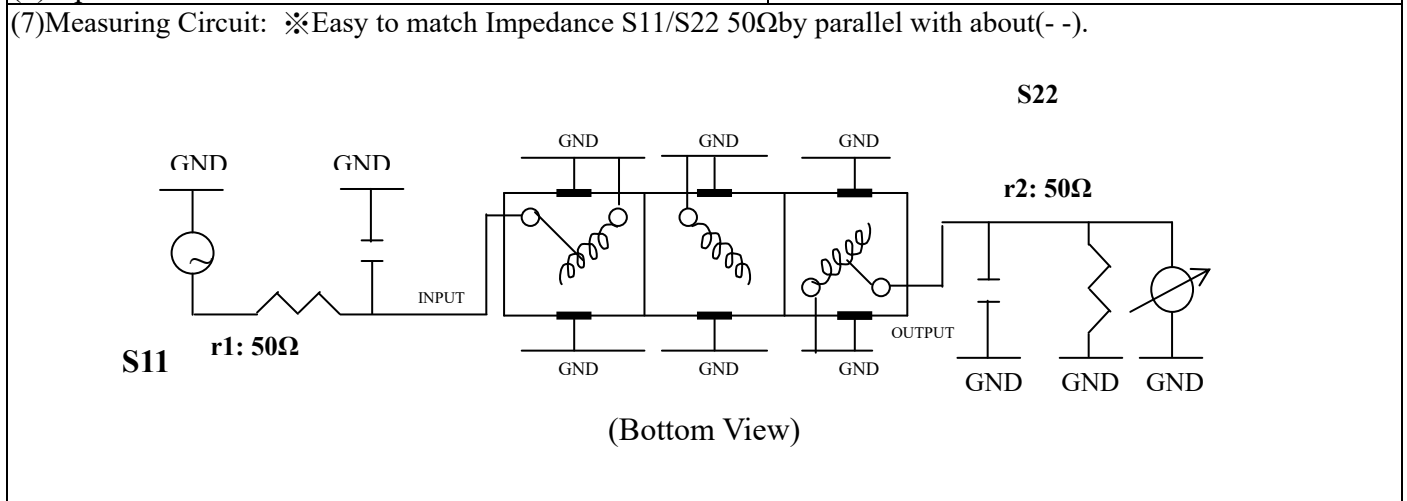
VHF UHF Helical Filter Specification Sheet

Customer Name		Temwell's Part No.	TT63624A-595M
Approval No. /dated		Temwell's Print name	63624A 595M
Work Instruction No.	201611017CD	Date	Dec.07.2016



(3) Electric Chararistic					
Item		Specify		Performance	
Center Freq.(Fo) +/- 0.5 %		595 MHz		595 MHz	
Insertion Loss		Typ. 3.5 dB		3.13 dB	
-3 dB Bandwidth		Typ. 10 MHz		13.8 MHz	
Sensitivity (Attenuation)	Fo - 20 MHz	Typ. 30 dB		33 dB	
	Fo +20 MHz	Typ. 25 dB		27 dB	
	Fo - ()MHz	Typ. dB		dB	
	Fo +()MHz	Typ. dB		dB	
Return Loss		Min. 12 dB		19.7 dB	
Ripple		< 1 dB		dB	
Impedance		In / Out : 50 Ω		In / Out : 50 Ω	
(4) Torque for Tuning Screw		> 60gf • cm			

(5) Temperature Condition:	
Operating Temperature	0°C ~ +60°C
Storage Temperature	-20°C ~ +70°C
(6) Input Power	> 1Watt

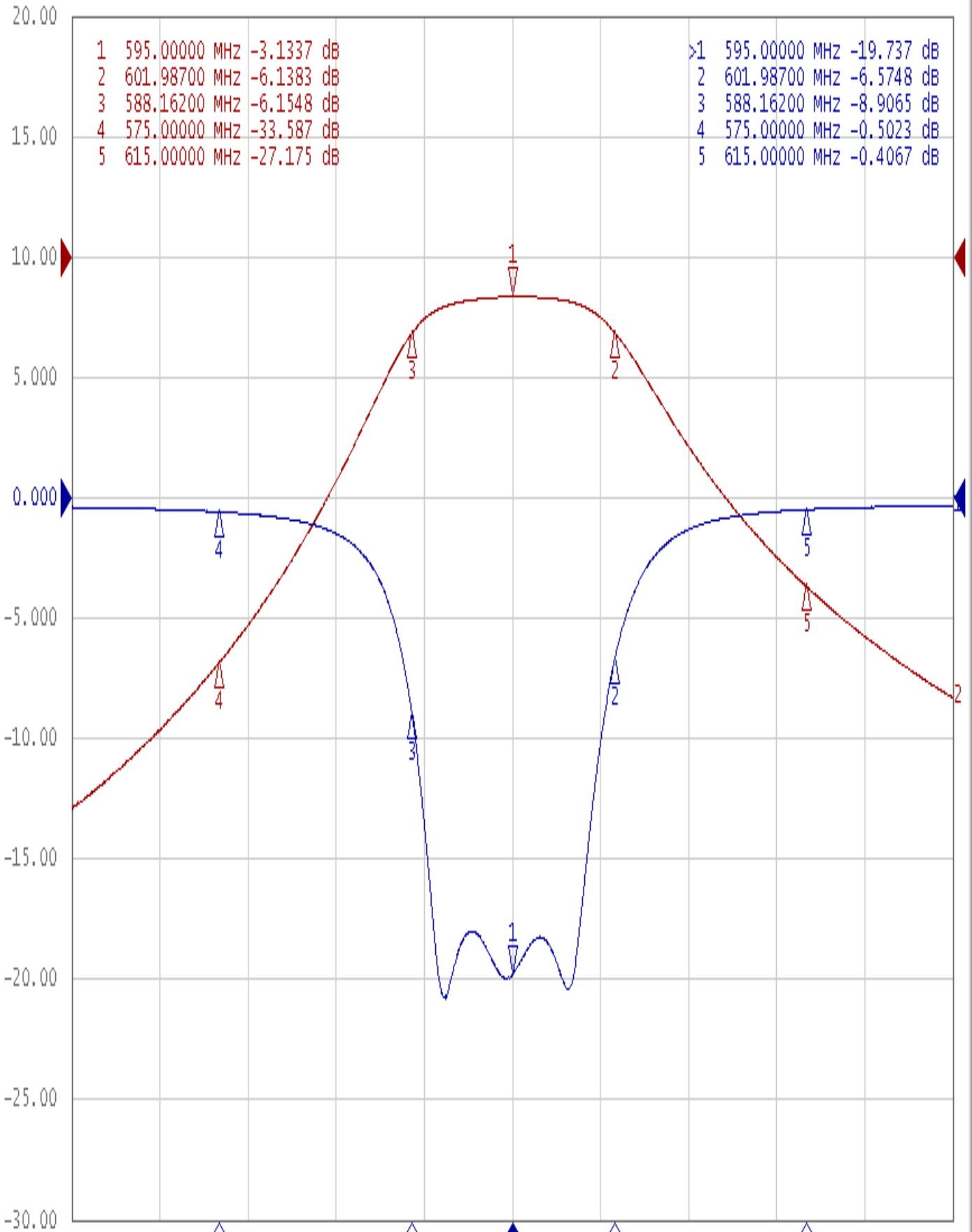


Approval	Supervisor	Designer	Aperture size
C.Y.Chang	C.K.Chang	C.S.Chang	7H3S(4*5.5)(5.52) 7H046LB4.3 聚 3
TEMWELL CORPORATION			

Performance-TT63624A-595M

201611017CD

Tr1 S11 Log Mag 5.000dB/ Ref 0.000dB [F2]
Tr2 S21 Log Mag 10.00dB/ Ref 0.000dB [F2]



1 Center 595 MHz

IFBW 10 kHz

Span 60 MHz Cor !