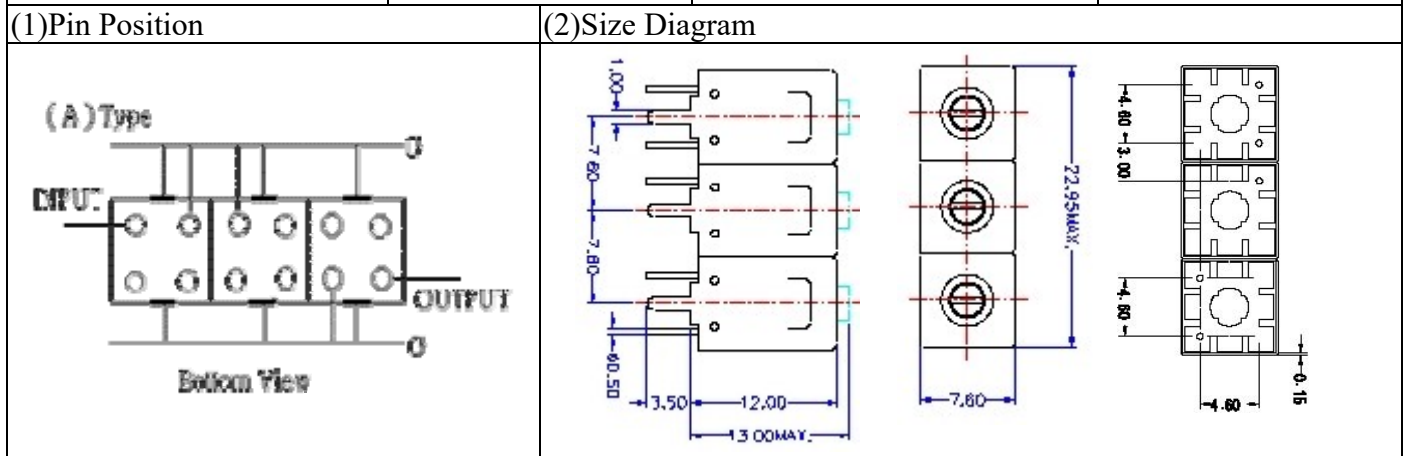


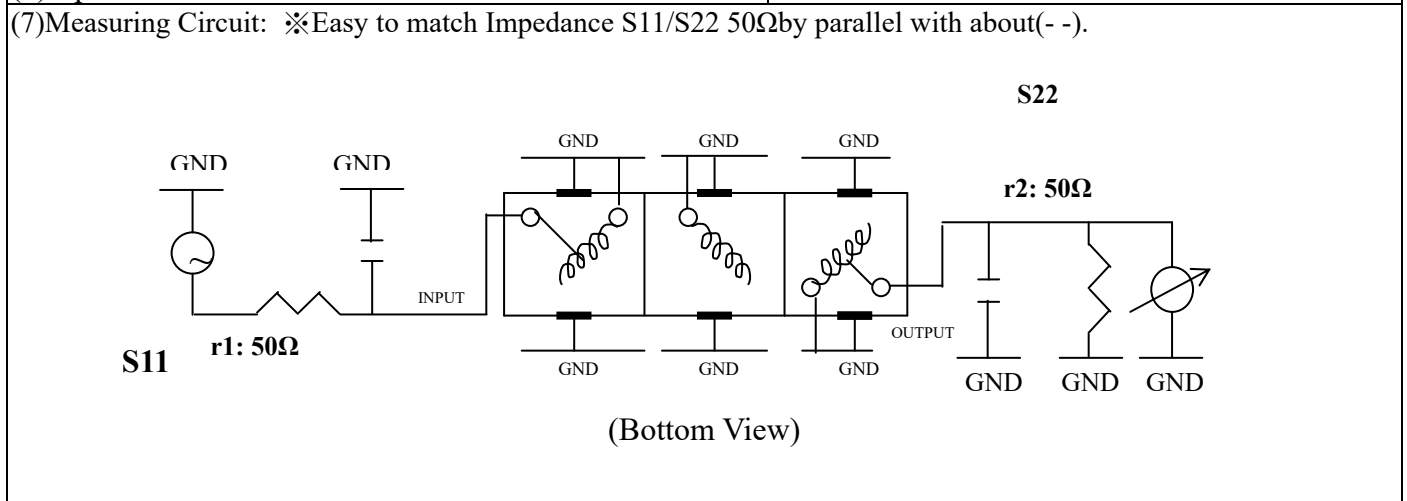
VHF UHF Helical Filter Specification Sheet

| | | | |
|----------------------|-------------|----------------------|----------------|
| Customer Name | | Temwell's Part No. | TT63625A-605M |
| Approval No. /dated | | Temwell's Print name | 63625A 605M |
| Work Instruction No. | 201611018CD | Date | Dec.07.2016 |



| | | | | | |
|------------------------------|-------------|-----------------|--|-----------------|--|
| (3) Electric Chararistic | | | | | |
| Item | | Specify | | Performance | |
| Center Freq.(Fo) +/- 0.5 % | | 605 MHz | | 605 MHz | |
| Insertion Loss | | Typ. 3.5 dB | | 3.15 dB | |
| -3 dB Bandwidth | | Typ. 10 MHz | | 13.2 MHz | |
| Sensitivity (Attenuation) | Fo - 20 MHz | Typ. 30 dB | | 33 dB | |
| | Fo +20 MHz | Typ. 25 dB | | 27 dB | |
| | Fo - ()MHz | Typ. dB | | dB | |
| | Fo +()MHz | Typ. dB | | dB | |
| Return Loss | | Min. 12 dB | | 19.4 dB | |
| Ripple | | < 1 dB | | dB | |
| Impedance | | In / Out : 50 Ω | | In / Out : 50 Ω | |
| (4) Torque for Tuning Screw | | > 60gf • cm | | | |

| | |
|----------------------------|---------------|
| (5) Temperature Condition: | |
| Operating Temperature | 0°C ~ +60°C |
| Storage Temperature | -20°C ~ +70°C |
| (6) Input Power | > 1Watt |



| | | | |
|---------------------|------------|-----------|-------------------------------------|
| Approval | Supervisor | Designer | Aperture size |
| C.Y.Chang | C.K.Chang | C.S.Chang | 7H3S(4*5.5)(5.52) 7H046LB4.3 聚 3 |
| TEMWELL CORPORATION | | | |

Performance-TT63625A-605M

201611018CD

Tr1 S11 Log Mag 5.000dB/ Ref 0.000dB [F2]
Tr2 S21 Log Mag 10.00dB/ Ref 0.000dB [F2]

