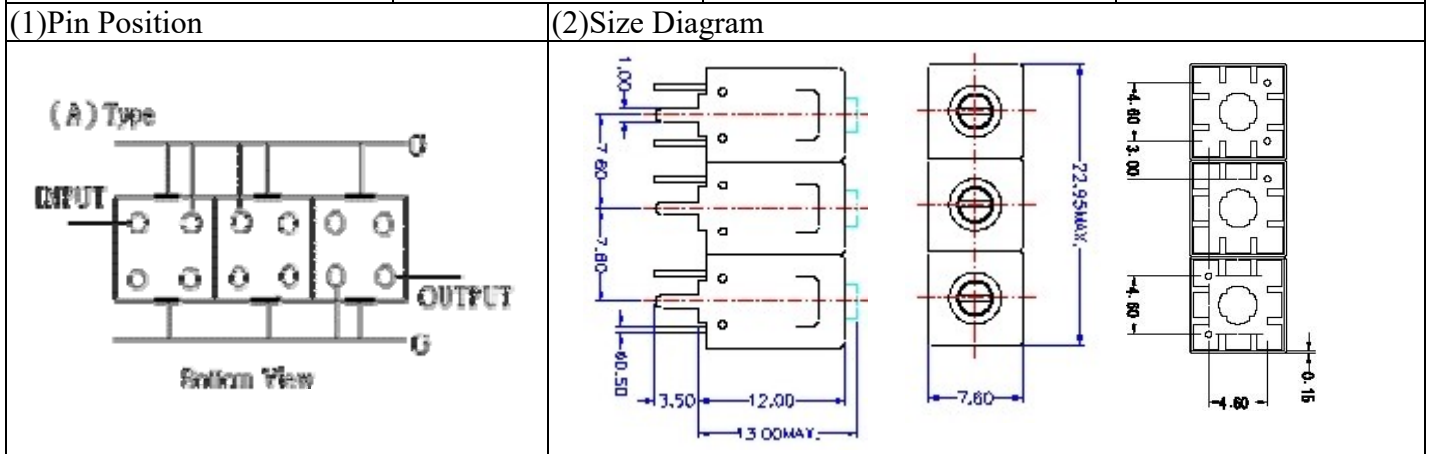


VHF UHF Helical Filter Specification Sheet

Customer Name		Temwell's Part No.	TT63627A-625M
Approval No. /dated	201611020CD	Temwell's Print name	63627A 625M
Work Instruction No.	201611020CD	Date	Dec.14.2016



(3) Electric Characteristic

Item	Specify	Performance	
Center Freq.(Fo) +/- 0.5 %	625 MHz	625 MHz	
Insertion Loss	Typ. 4.0 dB	3.33 dB	
-3 dB Bandwidth	Typ. 10 MHz	13.3 MHz	
Sensitivity (Attenuation)	Fo - 20 MHz	Typ. 30 dB	32 dB
	Fo +20 MHz	Typ. 25 dB	26 dB
	Fo - ()MHz	Typ. dB	dB
	Fo +()MHz	Typ. dB	dB
Return Loss	Min. 12 dB	20.6 dB	
Ripple	< 1 dB	dB	
Impedance	In / Out : 50 Ω	In / Out : 50 Ω	

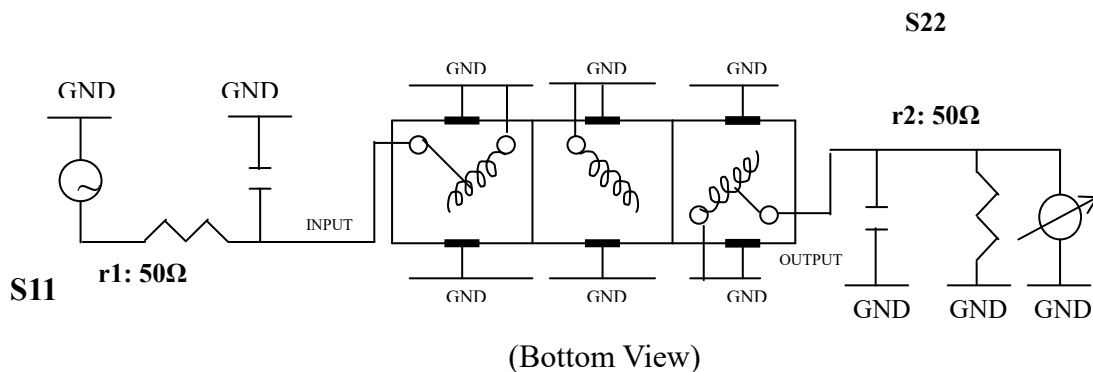
(4) Torque for Tuning Screw > 60gf · cm

(5) Temperature Condition:

Operating Temperature	0°C ~ +60°C
Storage Temperature	-20°C ~ +70°C

(6) Input Power > 1Watt

(7) Measuring Circuit: ※Easy to match Impedance S11/S22 50Ωby parallel with about(- -).

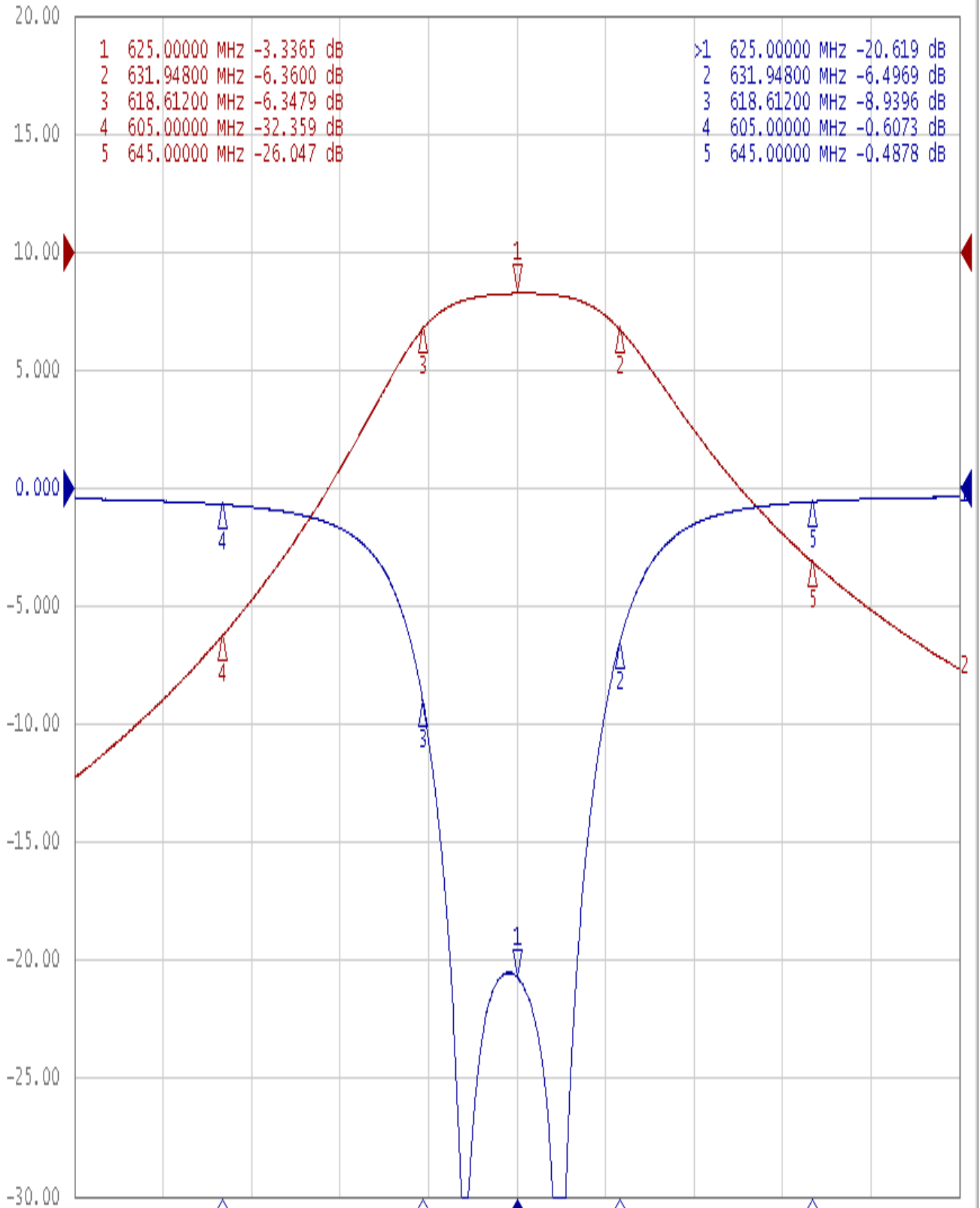


Approval C.Y.Chang	Supervisor C.K.Chang	Designer C.S.Chang	Aperture size 7H3S(4*5.5)(5.52) 7H046LB4.3 聚 3
-----------------------	-------------------------	-----------------------	--

Performance-TT63627A-625M

201611020CD

Tr1 S11 Log Mag 5.000dB/ Ref 0.000dB [F2]
Tr2 S21 Log Mag 10.000dB/ Ref 0.000dB [F2]



1 Center 625 MHz

IFBW 10 kHz

Span 60 MHz Cor !