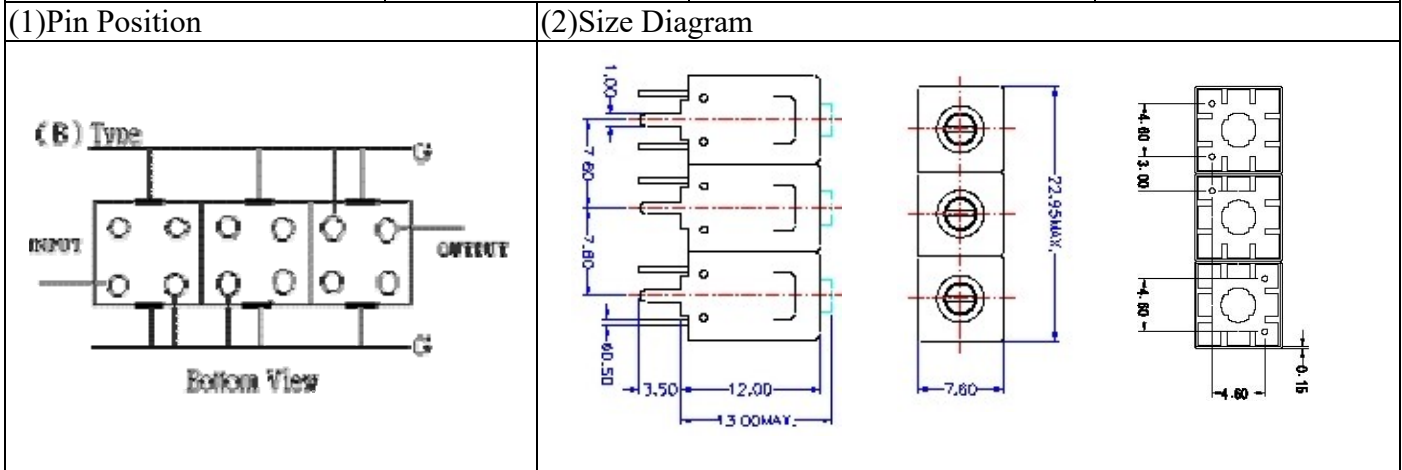


VHF UHF Helical Filter Specification Sheet

Customer Name		Temwell's Part No.	TT63630B-655M
Approval No. /dated	201611023CD	Temwell's Print name.	63630B 655M
Work Instruction No.	201611023CD	Date	Dec.15.2016



(3) Electric Characteristic

Item	Specify	Performance
Center Freq.(Fo) +/- 0.5 %	655 MHz	655 MHz
Insertion Loss	Typ. 3.5 dB	3.37 dB
-3 dB Bandwidth	Typ. 10 MHz	14.9 MHz
Sensitivity (Attenuation)	Fo - 20 MHz	Typ. 30 dB
	Fo + 20 MHz	Typ. 25 dB
	Fo - () MHz	Typ. dB
	Fo + () MHz	Typ. dB
Return Loss	Min. 12 dB	19.7 dB
Ripple	< 1 dB	dB
Impedance	In / Out : 50 Ω	In / Out : 50 Ω

(4) Torque for Tuning Screw

> 60gf · cm

(5) Temperature Condition:

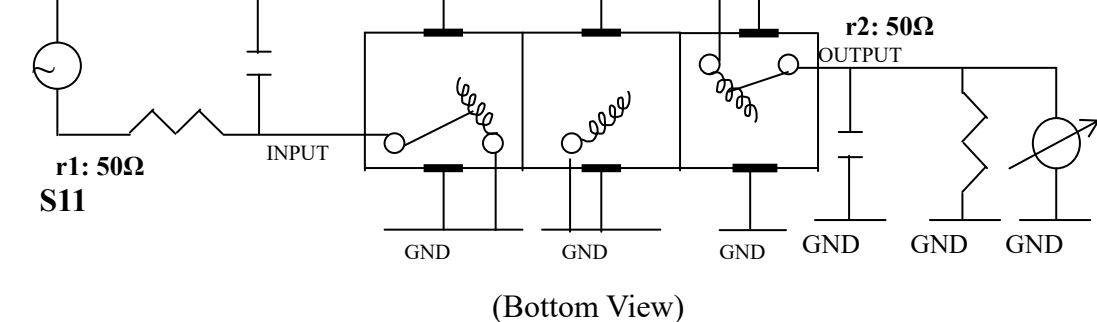
Operating Temperature 0°C ~ +60°C

Storage Temperature -20°C ~ +70°C

(6) Input Power

> 1Watt

(7) Measuring Circuit: ※Easy to match Impedance S11/S22 50Ω by parallel with about(--).



Approval	Supervisor	Designer	Aperture size
C.Y.Chang	C.K.Chang	C.S.Chang	7H3S(4*5.35)(5.44) 7H046RB4.3 聚 3

TEMWELL CORPORATION

TEMWELL

Form10-7H3B Vision D

RP (C.S.C)

Performance-TT63630B-655M

201611023CD

Tr1 S11 Log Mag 5.000dB/ Ref 0.000dB [F2]
Tr2 S21 Log Mag 10.00dB/ Ref 0.000dB [F2]

