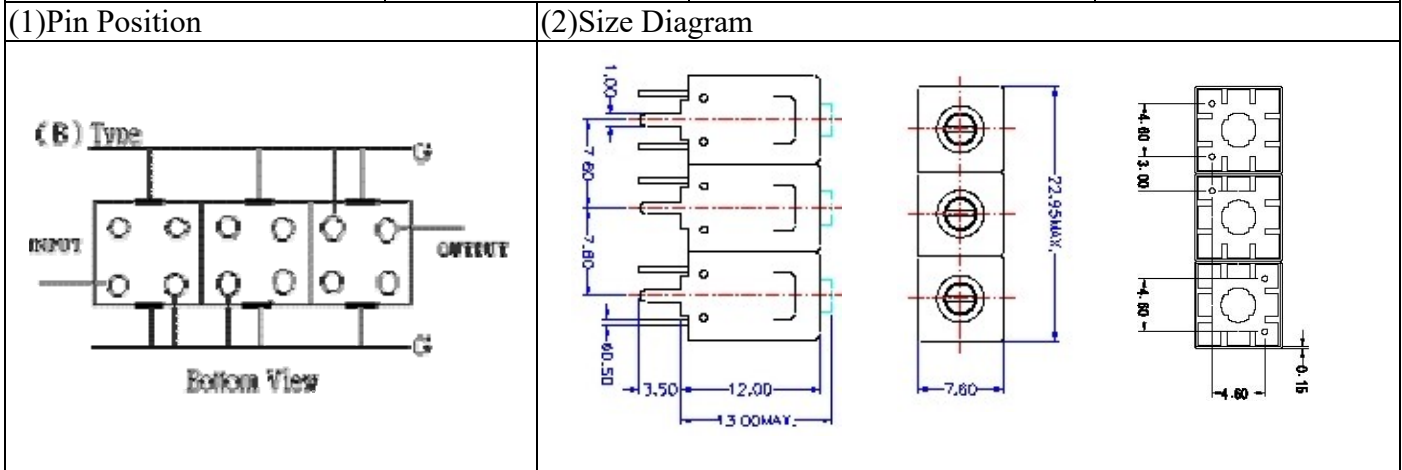


VHF UHF Helical Filter Specification Sheet

Customer Name		Temwell's Part No.	TT63632B-675M
Approval No. /dated	201611025CD	Temwell's Print name.	63632B 665M
Work Instruction No.	201611025CD	Date	Jan.06.2017



(3) Electric Characteristic

Item	Specify	Performance	
Center Freq.(Fo) +/- 0.5 %	675 MHz	675 MHz	
Insertion Loss	Typ. 3.5 dB	2.86 dB	
-3 dB Bandwidth	Typ. 10 MHz	16.1 MHz	
Sensitivity (Attenuation)	Fo - 20 MHz	Typ. 21 dB	24 dB
	Fo + 20 MHz	Typ. 17 dB	20 dB
	Fo - () MHz	Typ. dB	dB
	Fo + () MHz	Typ. dB	dB
Return Loss	Min. 12 dB	28.1 dB	
Ripple	< 1 dB	dB	
Impedance	In / Out : 50 Ω	In / Out : 50 Ω	

(4) Torque for Tuning Screw > 60gf · cm

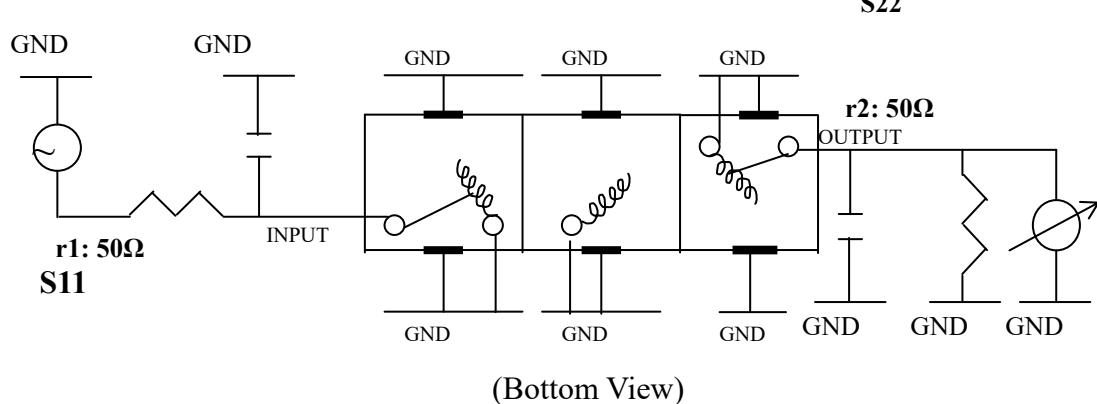
(5) Temperature Condition:

Operating Temperature 0°C ~ +60°C

Storage Temperature -20°C ~ +70°C

(6) Input Power > 1Watt

(7) Measuring Circuit: ※Easy to match Impedance S11/S22 50Ω by parallel with about(--).



Approval	Supervisor	Designer	Aperture size
C.Y.Chang	C.K.Chang	M.Y.Kang	7H3S(4*5.35)(5.40) 7H046RB4

TEMWELL CORPORATION

Performance-TT63632B-675M

201611025CD

CH1 S11

LOG MAG

REF 0.000 dB

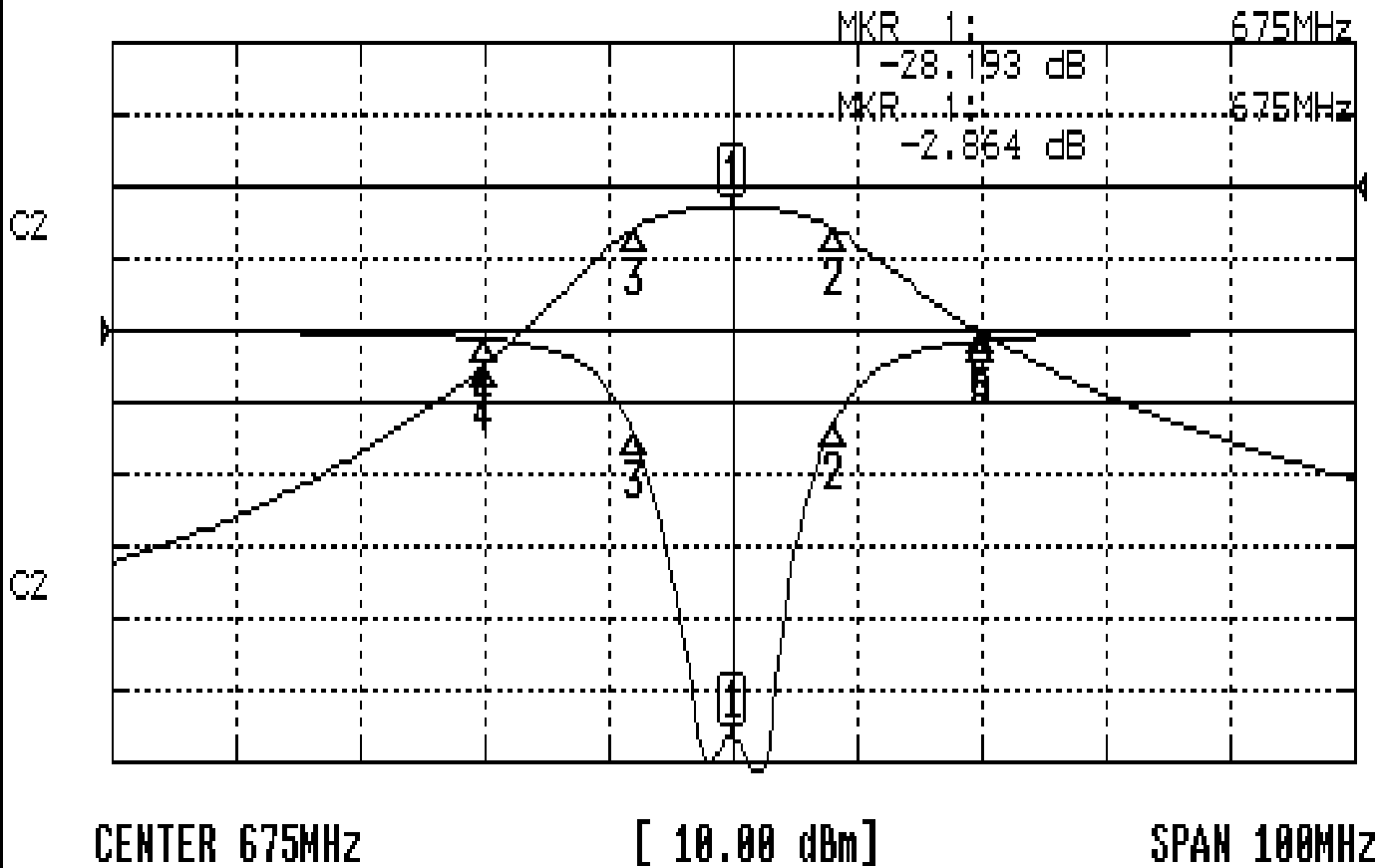
5.000 dB/

CH2 S21

LOG MAG

REF 0.000 dB

10.000 dB/



CH1 MARKER LIST

Marker	Frequency (MHz)	Magnitude (dB)
1	675.000	-28.193
2	683.166	-6.480
3	667.000	-7.184
4	655.000	-0.583
5	695.000	-0.688

CH2 MARKER LIST

Marker	Frequency (MHz)	Magnitude (dB)
1	675.000	-2.865
2	683.166	-5.856
3	667.000	-5.814
4	655.000	-24.808
5	695.000	-20.203