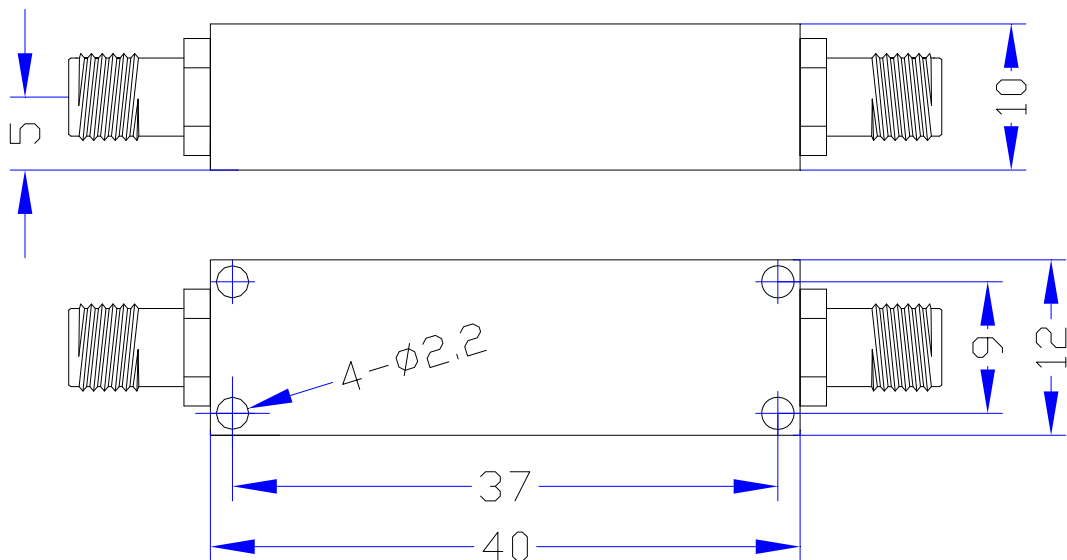


ST-WF02-500S

LC Band Pass Filter

Specifications

Serial	Parameters	
1	Center Frequency(F0)	500MHz
2	3dB Bandwidth	≈600MHz (200~800MHz)
3	Insertion Loss	≤8dB@500MHz
4	VSWR	≤1.8:1@250~750MHz
5	Stop Band Rejection	≥50dB @ DC~50MHz ≥50dB @ 1500~2500MHz
6	Impedance	50 ohms
7	Power Handling	≤1W
8	Connectors	SMA-Female
9	Temperature Range	-20°C~+60°C
10	Surface Finish	Nickel Plating
11	Net weight	0.025KG
12	Configuration	As Below (Size Unit: mm)



Performance

