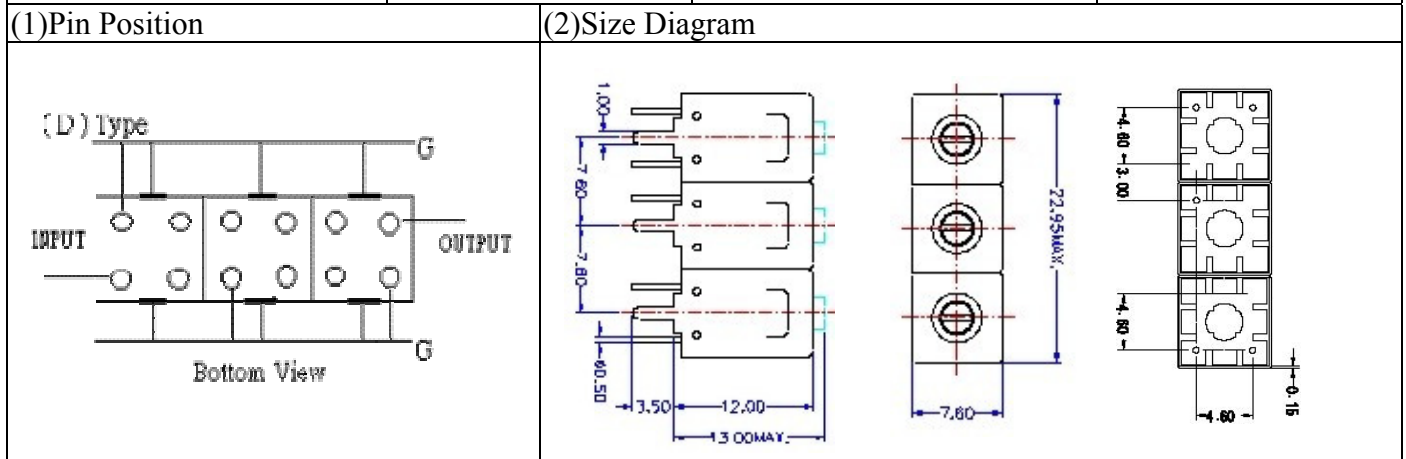


# VHF UHF Helical Filter Specification Sheet

Customer Name		Temwell's Part No.	TT67242D-722.5M
Approval No. /dated	201407196CD	Customer's Part Name.	67242D 722.5M
Work Instruction No.	201407196CD	Date	Jul.15.2014



(3) Electric Characteristic

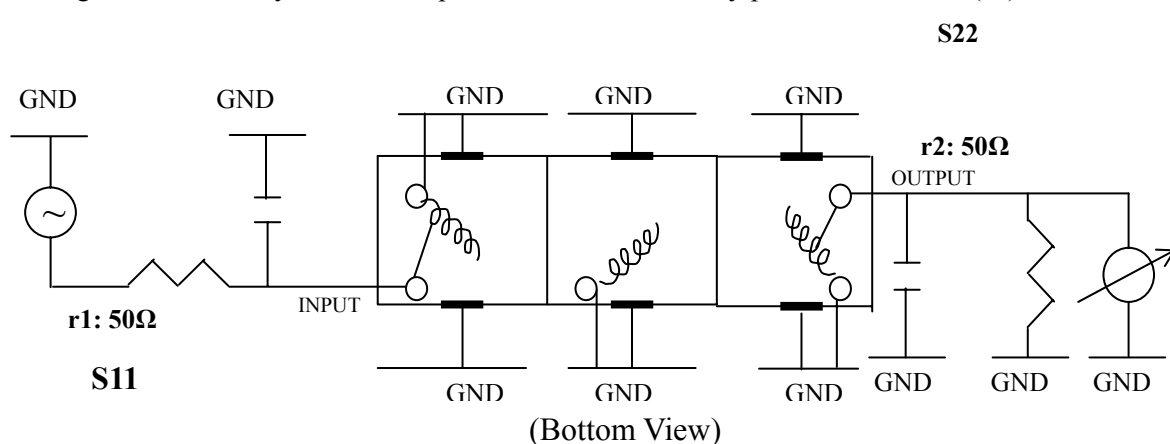
Item	Specify
Center Freq.(Fo) +/- 0.5 %	722.5 MHz
Insertion Loss	Typ. 3.5 dB
-3 dB Bandwidth	Typ. 18 MHz
Sensitivity (Attenuation)	Fo - 50 MHz Typ. 47 dBc
	Fo + 50 MHz Typ. 35 dBc
	Fo - ( )MHz Typ. dBc
	Fo +( )MHz Typ. dBc
Return Loss	Min. 12 dB
Ripple	< 1 dB
Impedance	In / Out : 50 Ω
(4) Torque for Tuning Screw	> 100gf · cm

(5) Temperature Condition:

Operating Temperature	0°C ~ +60°C
Storage Temperature	-20°C ~ +70°C

(6) Input Power > 1Watt

(7) Measuring Circuit: ※Easy to match Impedance S11/S22 50Ω/ by parallel with about(- -)



Approval C.Y.Chang	Supervisor C.K.Chang	Designer C.Ko.Chang	Aperture size 7H3S(4*4.65)(4.69) 7H046LB4.3 聚 3
-----------------------	-------------------------	------------------------	---

TEMWELL CORPORATION

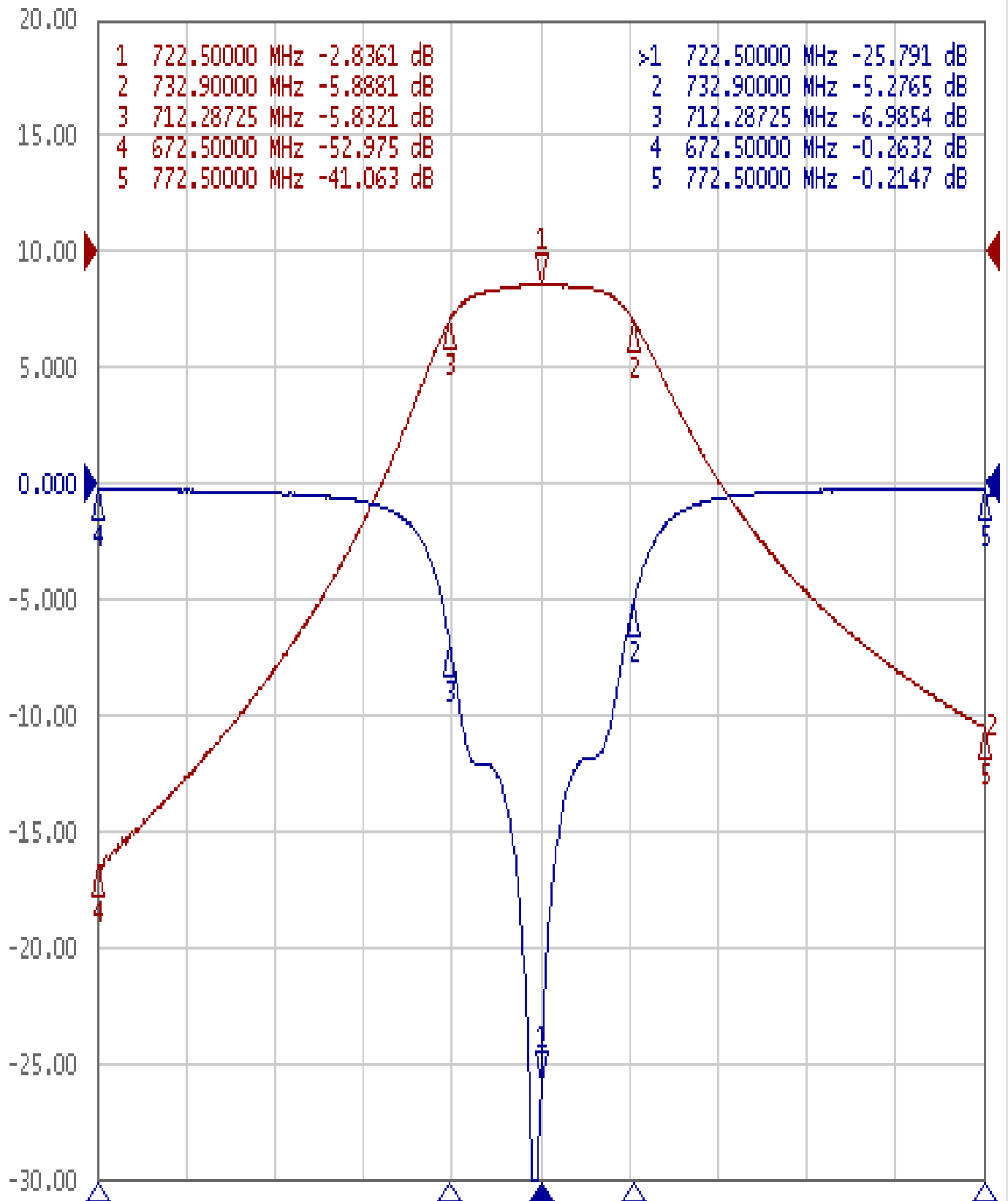
TEMWELL Form10-7H3D Vision D RP(C.Ko)

# Performance-TT67242D-722.5M

## 201407196CD

Tr1 S11 Log Mag 5.000dB/ Ref 0.000dB [F2]

Tr2 S21 Log Mag 10.00dB/ Ref 0.000dB [F2]



1 Center 722.5 MHz

IFBW 70 kHz

Span 100 MHz Cor !