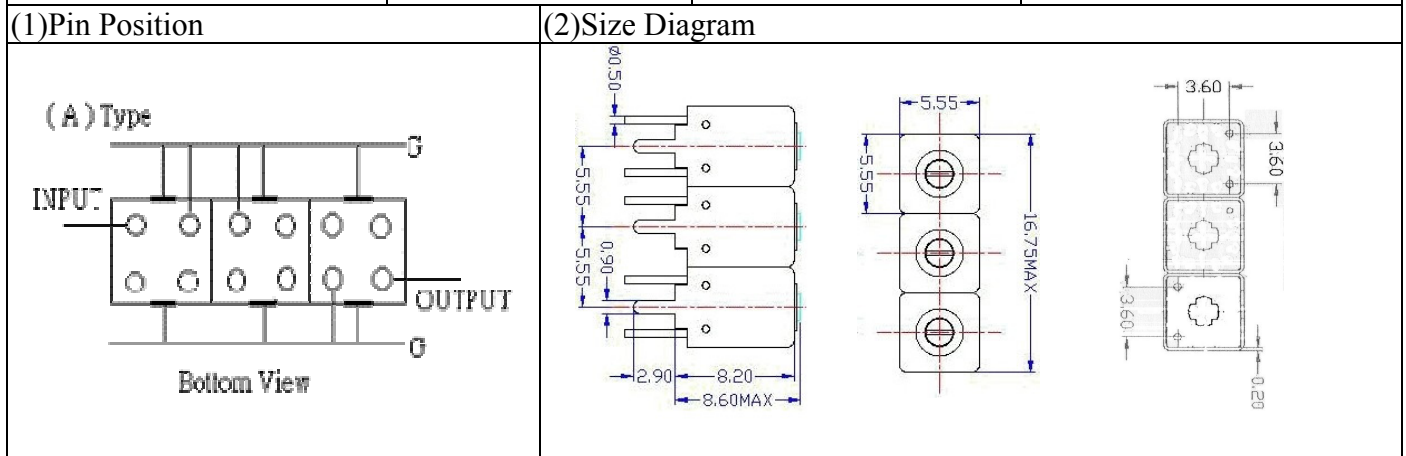


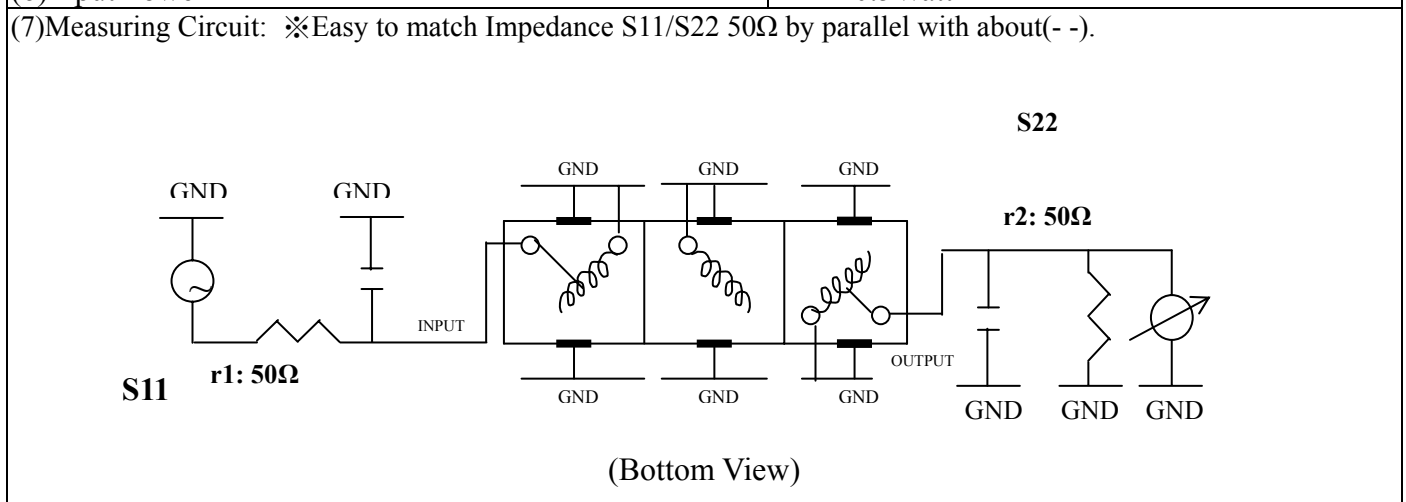
VHF UHF Helical Filter Specification Sheet

Customer Name		Temwell's Part No.	TTW3438A-450M
Approval No. /dated	201407205CD	Temwell's Print Name.	3438A 450M
Work Instruction No.	201407205CD	Date	Jul.18.2014



(3)Electric Chararestic		Item	Specify
Center Freq.(Fo) +/- 0.5 %			450 MHz
Insertion Loss		Typ	4.5 dB
-3 dB Bandwidth		Typ.	17 MHz
Sensitivity (Attenuation)	Fo - 50 MHz	Typ.	39 dBc
	Fo + 50 MHz	Typ.	32 dBc
	Fo - ()MHz	Typ.	dBc
	Fo +()MHz	Typ.	dBc
Return Loss		Min.	12 dB
Ripple			< 1 dB
Impedance			In / Out : Ω
(4)Torque for Tuning Screw			> 60gf · cm

(5)Temperature Condition:	
Operating Temperature	0°C ~ +60°C
Storage Temperature	-20°C ~ +70°C
(6)Input Power	>0.5Watt



Approval	Supervisor	Designer	Aperture size
C.Y.Chang	C.K.Chang	M.Y.Kang	5W3S(4*4.5)(4.58) 5HW024RB3

TEMWELL CORPORATION

TEMWELL

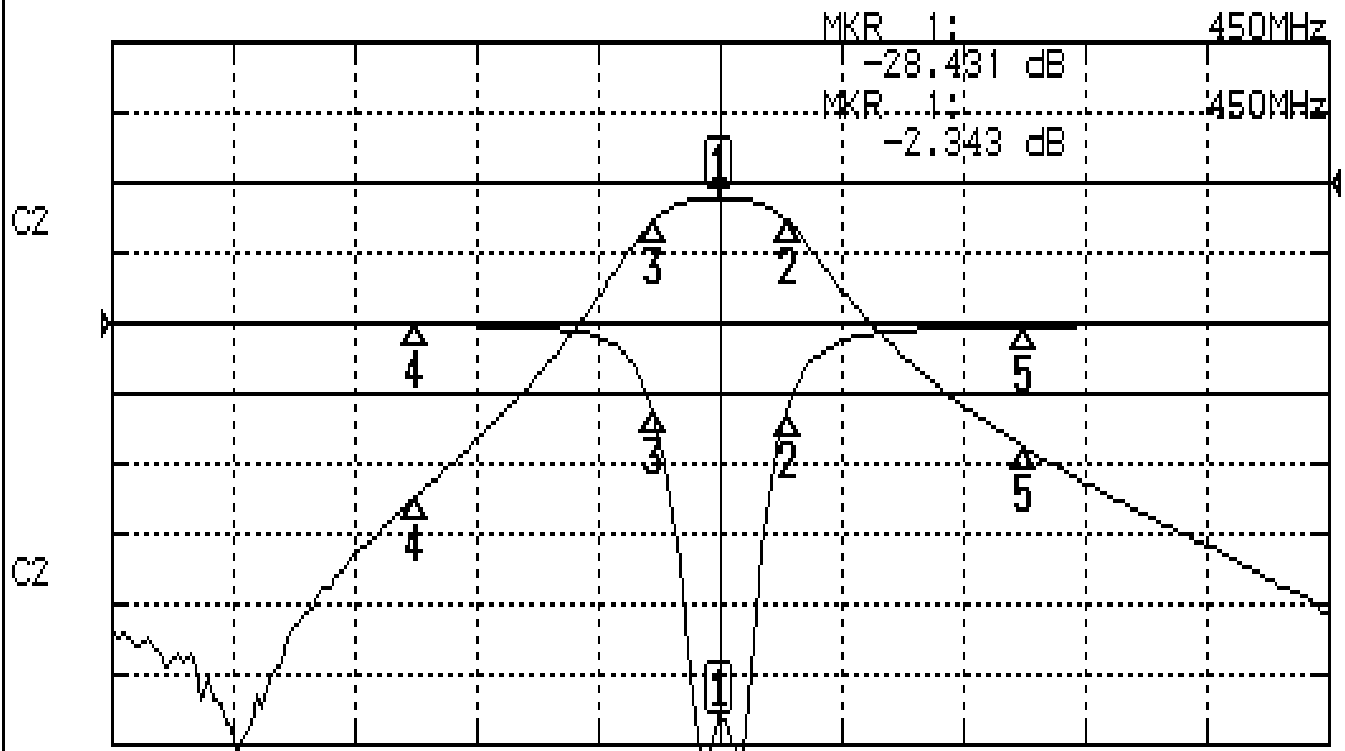
Form10-5W3A Vision D

RP(M.Y)

Performance-TTW3438A-450M

201407205CD

CH1 S11 LOG MAG REF 0.000 dB 5.000 dB/
CH2 S21 LOG MAG REF 0.000 dB 10.000 dB/



CENTER 450MHz

[10.00 dBm]

SPAN 200MHz

CH1 MARKER LIST

1:	450.000MHz	-28.455 dB
2:	461.166MHz	-6.130 dB
3:	439.000MHz	-6.273 dB
4:	400.000MHz	-0.075 dB
5:	500.000MHz	-0.201 dB

CH2 MARKER LIST

1:	450.000MHz	-2.343 dB
2:	461.166MHz	-5.370 dB
3:	439.000MHz	-5.325 dB
4:	400.000MHz	-44.793 dB
5:	500.000MHz	-37.617 dB