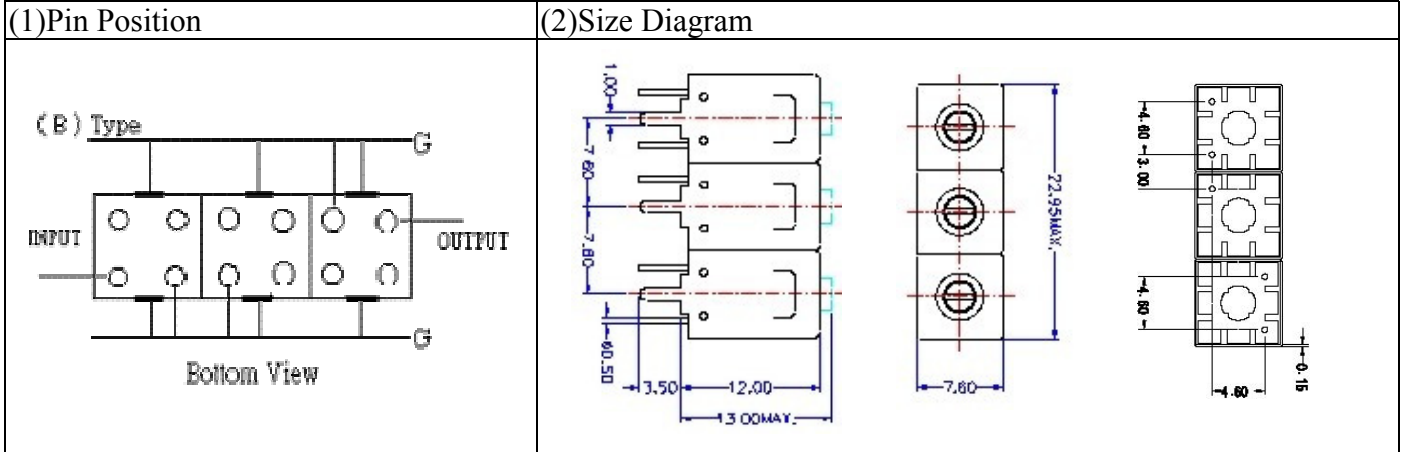
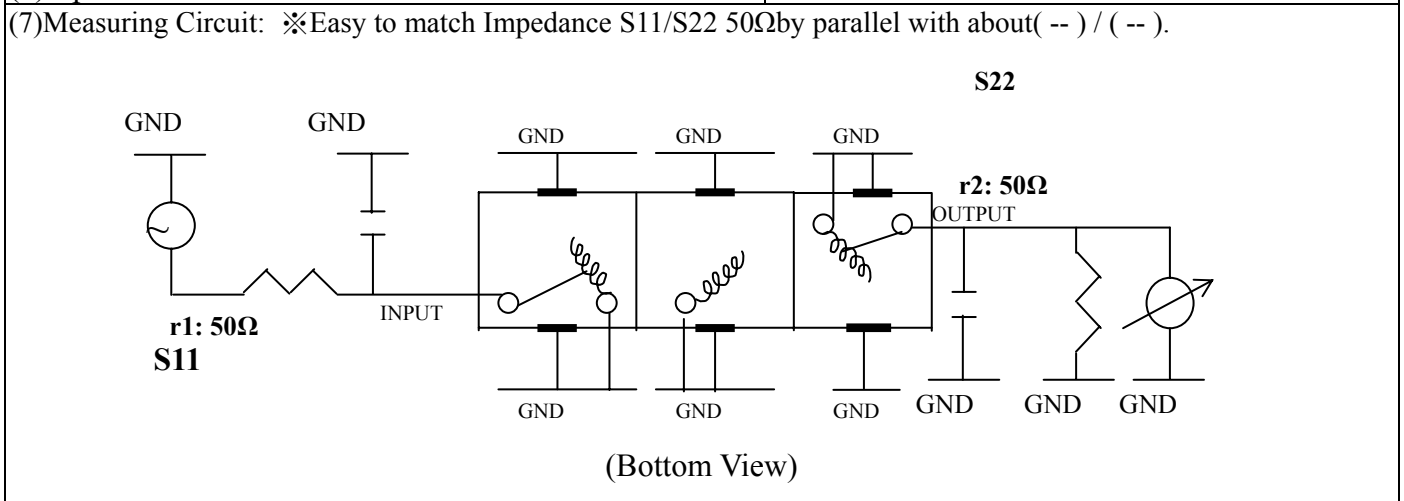


VHF UHF Helical Filter Specification Sheet

Customer Name		Temwell's Part No.	TT63499B-160M
Approval No. /dated	201404040CD	Temwell's Print name.	63499B 160M
Work Instruction No.	201404040CD	Date	Apr.30.2014



(3) Electric Chararistic		Item	Specify
Center Freq.(Fo) +/- 0.5 %			160 MHz
Insertion Loss		Typ.	2.5 dB
-3 dB Bandwidth		Typ.	31 MHz
Sensitivity (Attenuation)	Fo - (50) MHz	Typ.	35 dBc
	Fo + (50) MHz	Typ.	25 dBc
	Fo - () MHz	Typ.	dBc
	Fo + () MHz	Typ.	dBc
Return Loss		Min.	12 dB
Ripple			< 1 dB
Impedance			In / Out : 50 Ω
(4) Torque for Tuning Screw			> 60gf · cm
(5) Temperature Condition:			
Operating Temperature			0°C ~ +60°C
Storage Temperature			-20°C ~ +70°C
(6) Input Power			> 1Watt



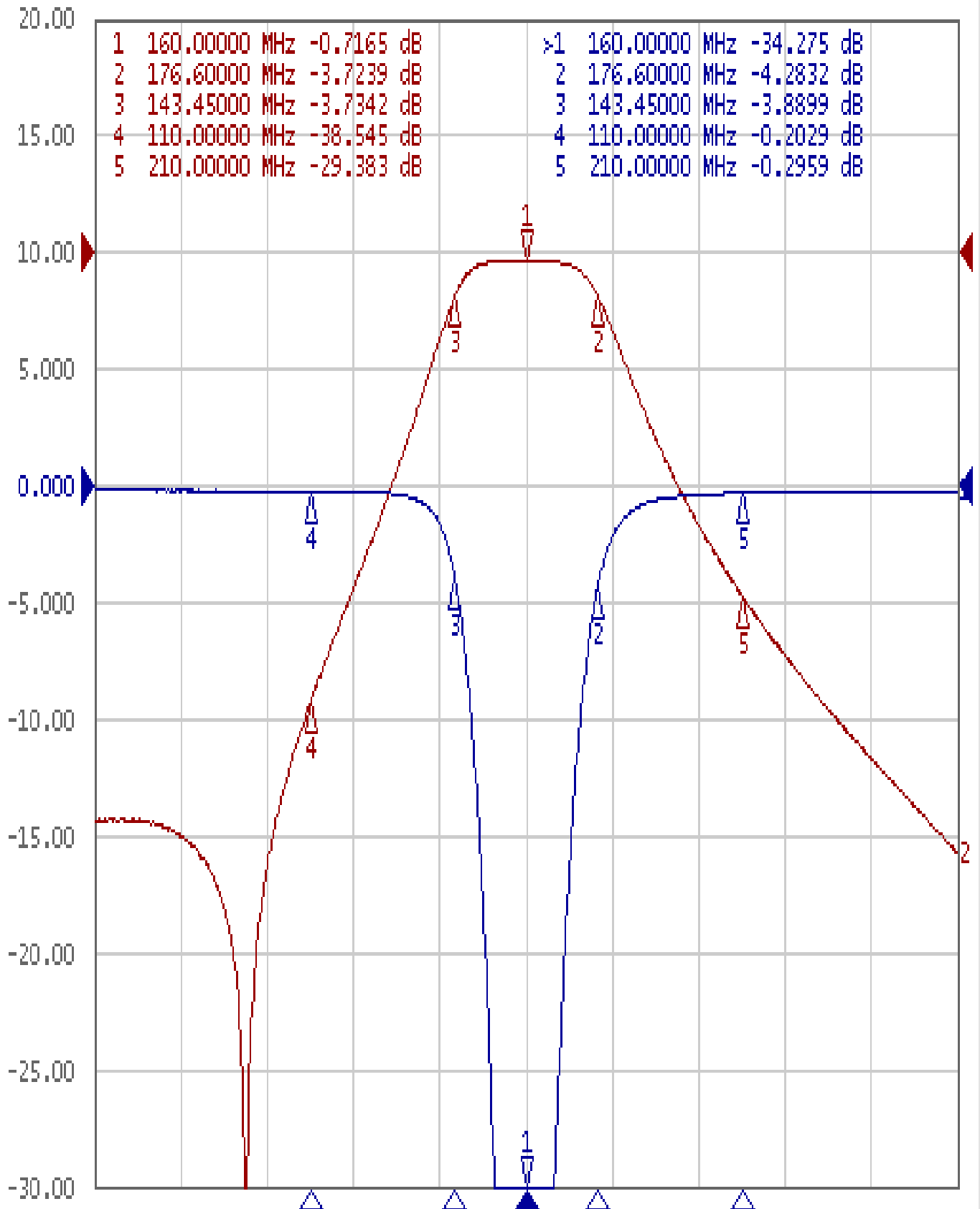
Approval C.Y.Chang	Supervisor C.K.Chang	Designer F.L.Lai	Aperture size 7H3S(4*6.5)(6.54) 7H024RB6.5
TEMWELL CORPORATION			

Performance-TT63499B-160M

201404040CD

Tr1 S11 Log Mag 5.000dB/ Ref 0.000dB [F2]

Tr2 S21 Log Mag 10.000dB/ Ref 0.000dB [F2]



1 Center 160 MHz

IFBW 10 kHz

Span 200 MHz Cor !