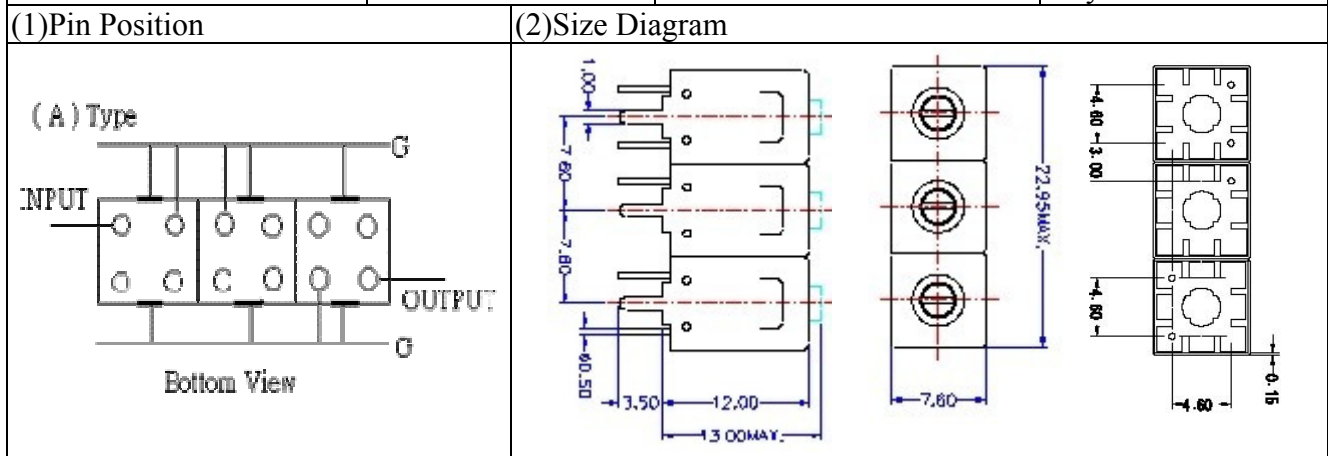


VHF UHF Helical Filter Specification Sheet

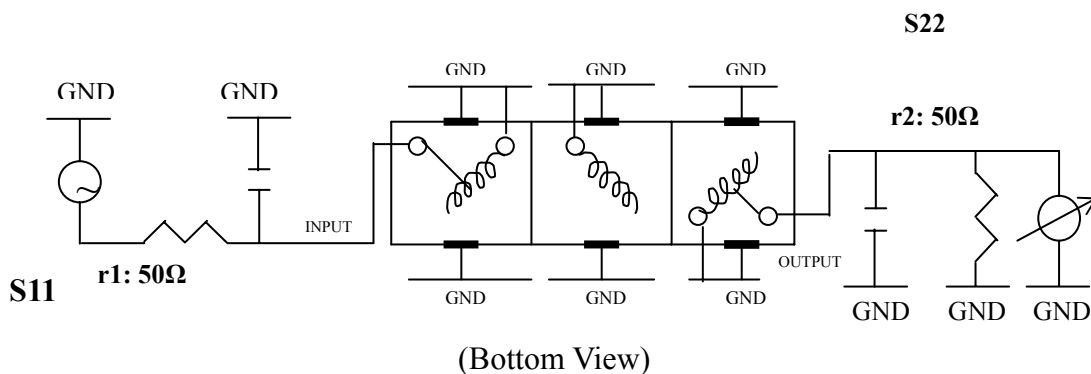
Customer Name		Temwell's Part No.	TT6715A-160M
Approval No. /dated		Temwell's Print Name.	6715A 160M
Work Instruction No.	201205067B	Date	May.24.2012



(3) Electric Charasteric

Item	Specify		
Center Freq.(Fo) +/- 0.75 %	160		MHz
Insertion Loss	Typ.	4.5	dB
-3 dB Bandwidth	Typ.	5	MHz
Sensitivity (Attenuation)	Fo - 10 MHz	Typ.	28 dBc
	Fo + 10 MHz	Typ.	22 dBc
	Fo - ()MHz	Typ.	dBc
	Fo +()MHz	Typ.	dBc
Return Loss	Min.	12	dB
Ripple		< 1	dB
Impedance	In / Out : 50 Ω		
(4)Torque for Tuning Screw	> 60gf • cm		
(5)Temperature Condition:			
Operating Temperature	-30°C ~ +70°C		
Storage Temperature	-30°C ~ +80°C		
(6)Input Power	> 1Watt		

(7)Measuring Circuit: ※Easy to match Impedance S11/S22 50Ωby parallel with about(--) / (--).

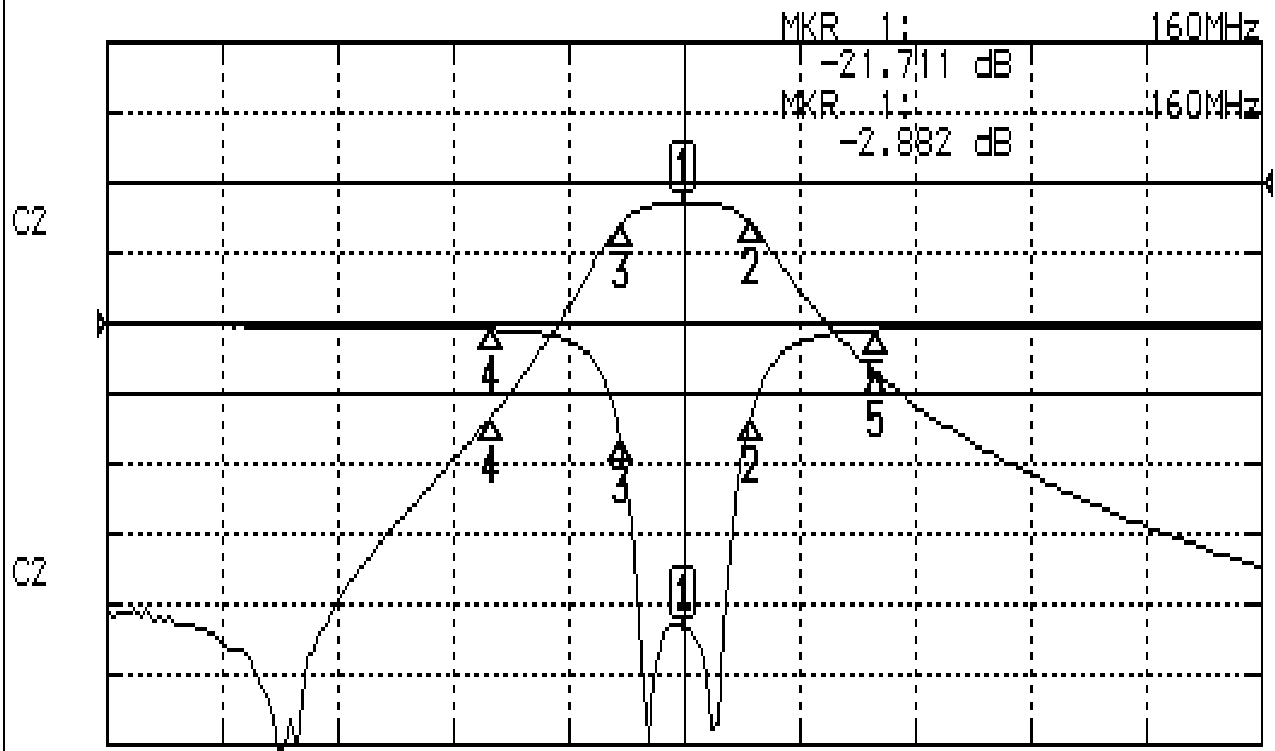


Approval C.Y.Chang	Supervisor C.K.Chang	Designer M.Y.Kang	Aperture size 7H3S(4*6.35)(6.40) 7H024LB4
TEMWELL CORPORATION			

Performance-TT6715A-160M

201205067B

CH1 S11 LOG MAG REF 0.000 dB 5.000 dB/
 CH2 S21 LOG MAG REF 0.000 dB 10.000 dB/



CENTER 160MHz

[10.00 dBm]

SPAN 60MHz

CH1 MARKER LIST

1:	160.000MHz	-21.711 dB
2:	163.500MHz	-6.631 dB
3:	156.700MHz	-8.182 dB
4:	150.000MHz	-0.409 dB
5:	170.000MHz	-0.449 dB

CH2 MARKER LIST

1:	160.000MHz	-2.882 dB
2:	163.500MHz	-1.857 dB
3:	156.700MHz	-1.838 dB
4:	150.000MHz	-33.240 dB
5:	170.000MHz	-27.120 dB