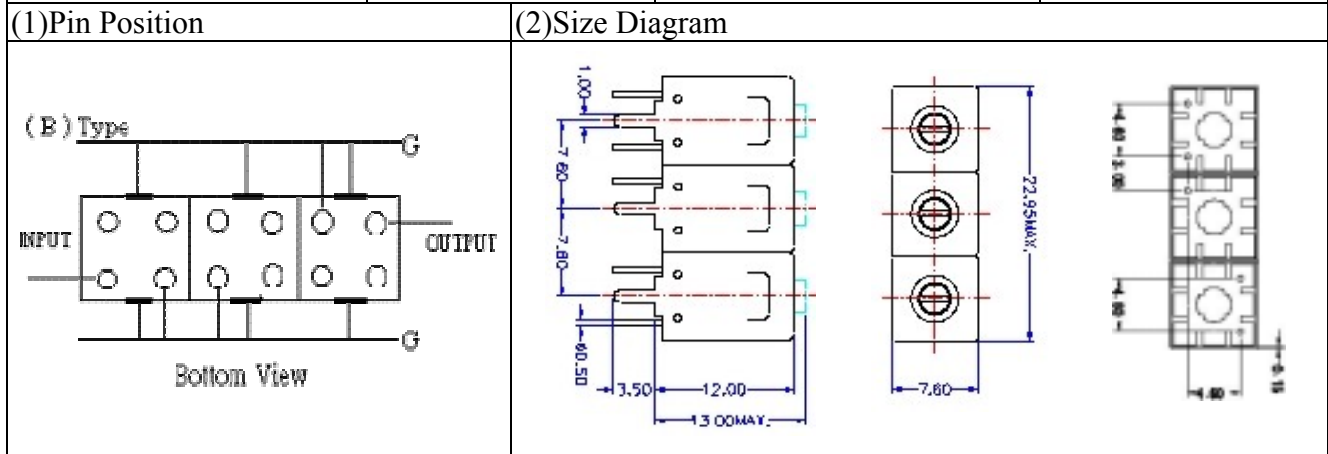
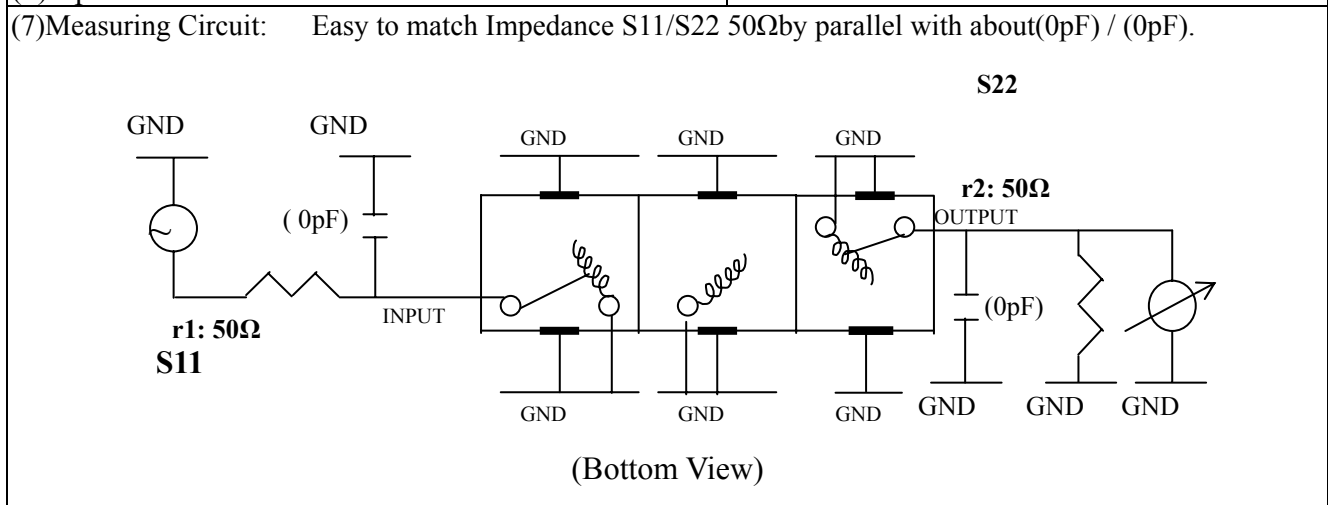


VHF UHF Helical Filter Specification Sheet

Customer Name		Temwell's Part No.	TT67183B1-180M
Approval No. /dated		Temwell's Print name.	67183B1 180M
Work Instruction No.	201001047CD	Date	Mar.19.2010



(3) Electric Charasteric		Item	Specify
Center Freq.(Fo) +/- 0.75 %			180 MHz
Insertion Loss		Typ.	2.5 dB
-3 dB Bandwidth		Typ.	12 MHz
Sensitivity (Attenuation)	Fo - (50) MHz	Typ.	50 dBc
	Fo + (50) MHz	Typ.	44 dBc
	Fo - () MHz	Typ.	dBc
	Fo + () MHz	Typ.	dBc
Return Loss		Min.	12 dB
Ripple			< 1 dB
Impedance			In / Out : 50 Ω
(4) Torque for Tuning Screw			> 60gf cm
(5) Temperature Condition:			
Operating Temperature			-30 ~ +70
Storage Temperature			-30 ~ +80
(6) Input Power			> 1Watt



Approval C.Y.Chang	Supervisor C.K.Chang	Designer Y.HY.eh	Aperture size 7H3S(4*8.0RM)(8.05) 7H024RB4
-----------------------	-------------------------	---------------------	--

TEMWELL CORPORATION

Performance-TT67183B1-180M

201001047CD

