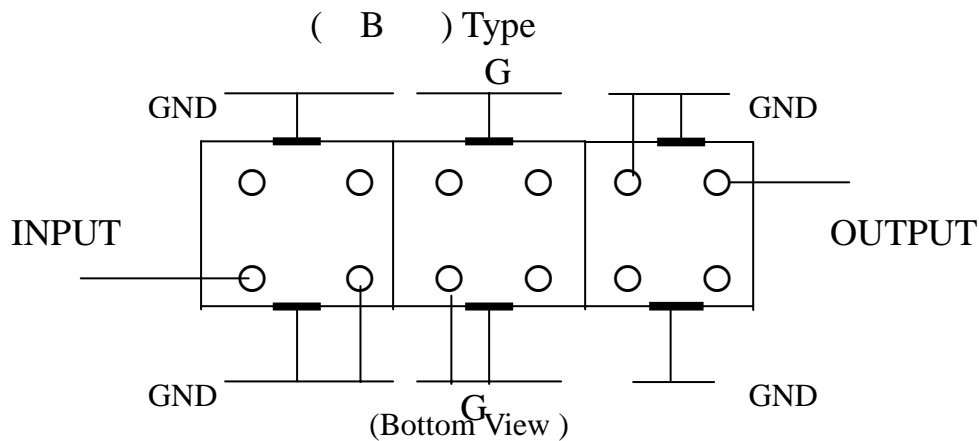


## VHF UHF Helical Filter Specification Sheet

Customer Name		Temwell's Part No.	TT67205B-140M
Approval No. /dated	20308056B	Customer's Part No.	
Work Instruction No.	20405066A	Date	Jun.04.2004
<input type="checkbox"/> Buyer Print name		<input type="checkbox"/> Temwell,s print name	
Case Name	7H3	Case size : ( mm)	
Terminator Type	B		

\* Pin Position (Pin Connection) diagram as following



### (3) Electric Character

Item	Specify
Center Freq.(Fo ) +/- 0.5 %	140 MHz
Insertion Loss	Typ. 3.0 dB
-3 dB Bandwidth	Typ. 10 MHz
Sensitivity (Attenuation )	Fo - (20) MHz Typ. 37 dBc
	Fo + (20) MHz Typ. 30 dBc
	Fo - ( )MHz Typ. dBc
	Fo +( )MHz Typ. dBc
Return Loss	Min. 12 dB
Ripple	< 1 dB
Impedance	In / Out : 50 Ω

### 4. Temperature Condition:

Operating Temperature	0 ~ +60
Storage Temperature	-20 ~ +70

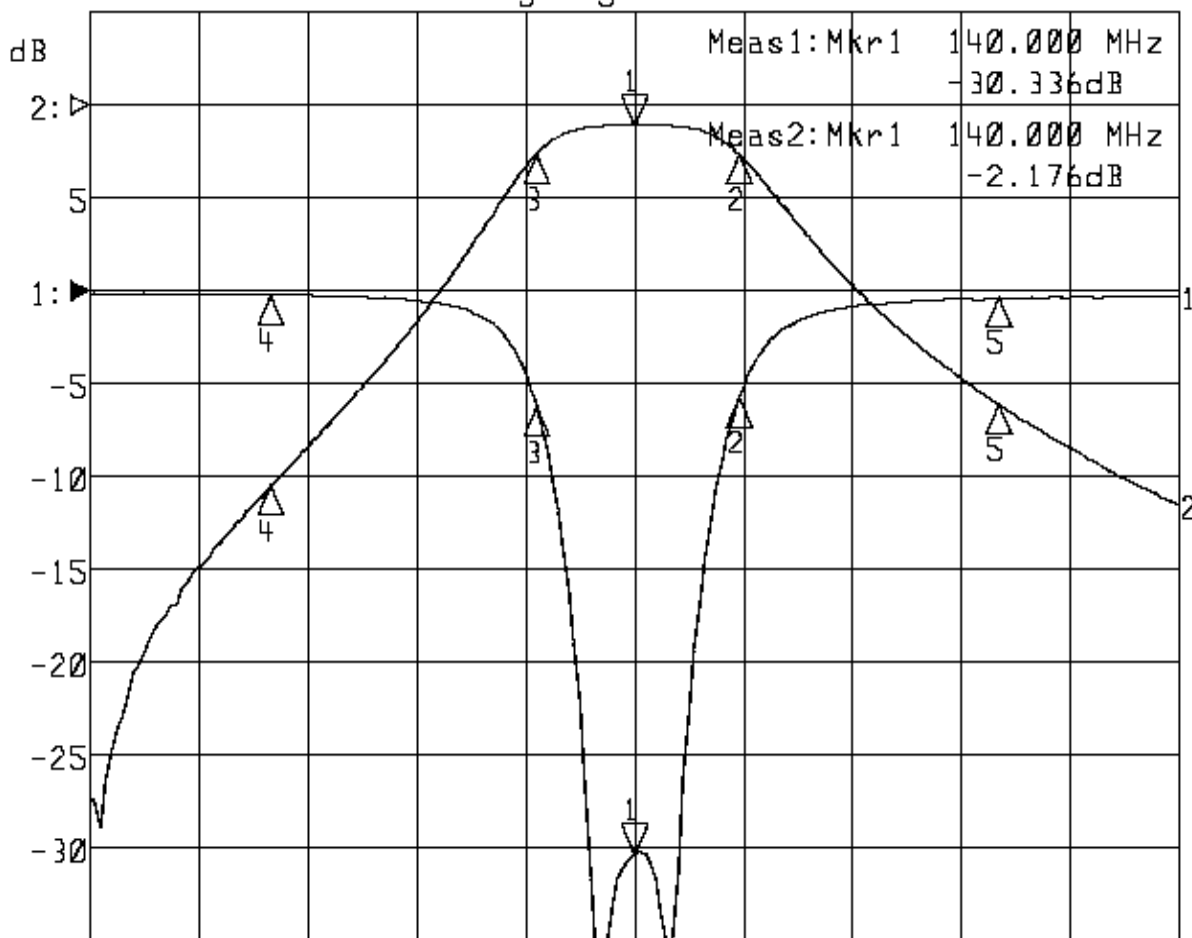
Approval	Supervisor	Designer	Aperture size
	C.S.Chang	P.H.Ching	7H3(4*7.5)(7.55) 7H00LB4

**TEMWELL CORPORATION**

# Performance-TT67205B-140M

20405066A

▶1:S11 Refl Port1    Log Mag    5.0 dB/ Ref    0.00 dB    C  
 ▷2:S21 Fwd Trans    Log Mag    10.0 dB/ Ref    0.00 dB    C



Center 140.000 MHz

Span 60.000 MHz

1: Mkr (MHz)	dB	2: Mkr (MHz)	dB
1> 140.0000	-30.336	1> 140.0000	-2.176
2: 145.7600	-5.794	2: 145.7600	-5.232
3: 134.6600	-6.295	3: 134.6600	-5.134
4: 120.0000	-0.252	4: 120.0000	-41.072
5: 160.0000	-0.437	5: 160.0000	-32.146