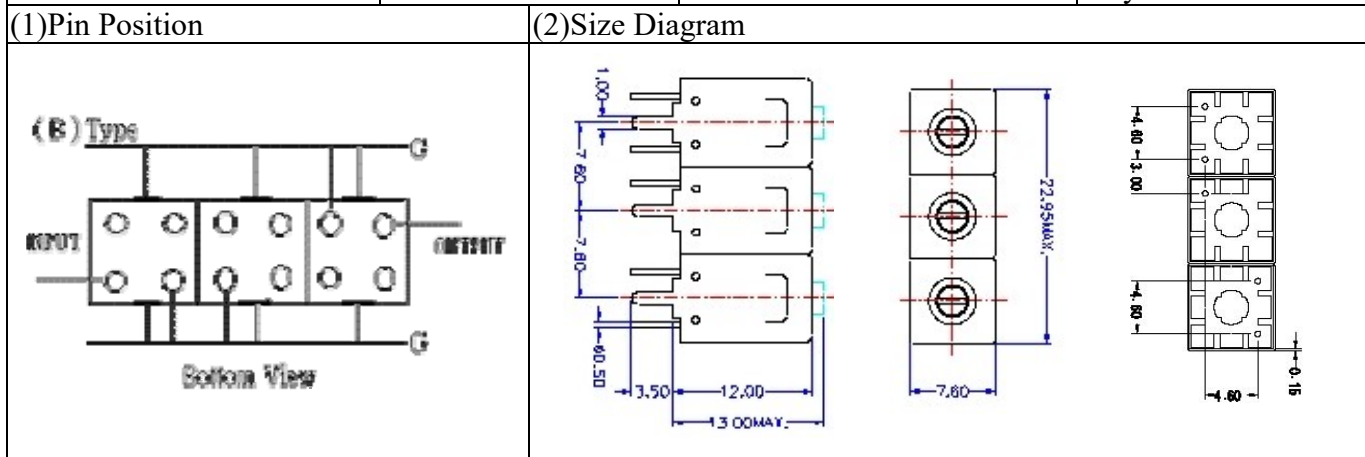


# VHF UHF Helical Filter Specification Sheet

Customer Name		Temwell's Part No.	TT67677B1-140M
Approval No. /dated	202005014CD	Temwell's Print Name.	67677B1 140M
Work Instruction No.	202005015CD	Date	May.13.2020



### (3) Electric Characteristic

Item	Specify	
Center Freq.(Fo) +/- 0.5 %	140	MHz
Insertion Loss	Typ. 3.0	dB
-3 dB Bandwidth	Typ. 10	MHz
Sensitivity (Attenuation)	Fo - 50 MHz	Typ. 65 dBc
	Fo + 50 MHz	Typ. 60 dBc
	Fo - ( )MHz	Typ. dBc
	Fo +( )MHz	Typ. dBc
Return Loss	Min. 12	dB
Ripple	< 1	dB
Impedance	In / Out : 50 Ω	

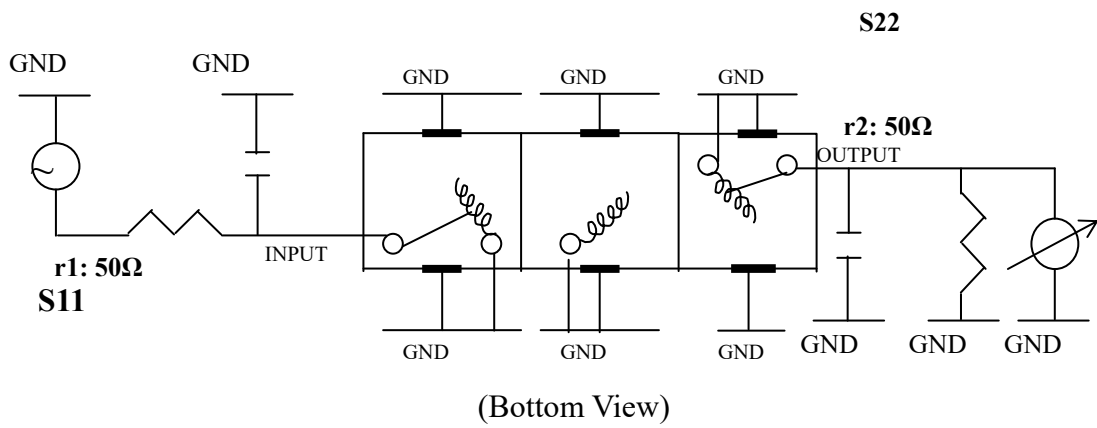
(4) Torque for Tuning Screw > 60gf · cm

### (5) Temperature Condition:

Operating Temperature	0°C ~ +60°C
Storage Temperature	-20°C ~ +70°C

(6) Input Power > 1Watt

(7) Measuring Circuit: ※Easy to match Impedance S11/S22 50Ω by parallel with about(--).



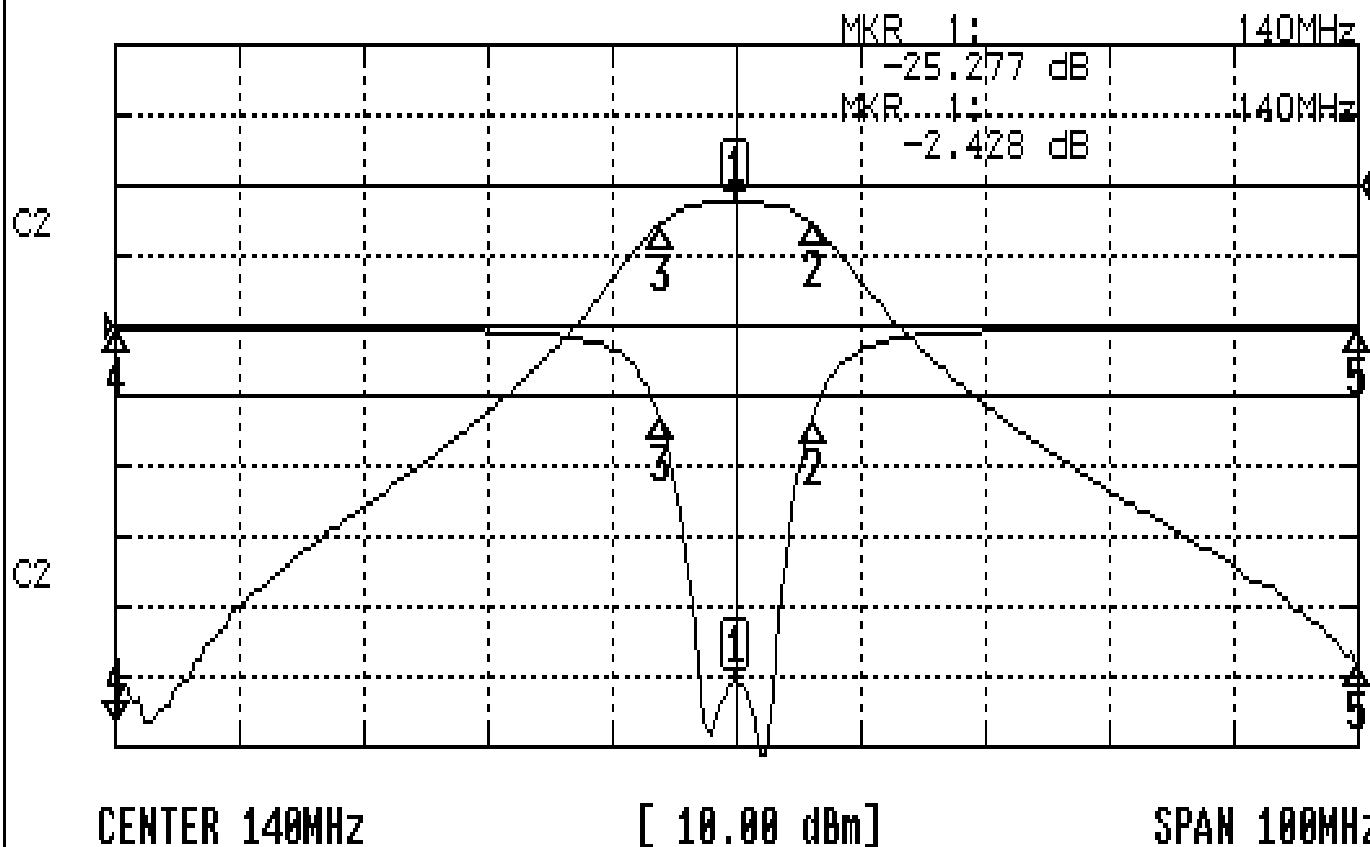
Approval	Supervisor	Designer	Aperture size
C.C.Chang	C.K.Chang	C.H.Yeh	7H3S(4*4.65)(4.68) 7H024RB6.5 (J1)

TEMWELL CORPORATION

# Performance-TT67677B1-140M

## 202005015C

CH1 S11 LOG MAG REF 0.000 dB 5.000 dB/  
CH2 S21 LOG MAG REF 0.000 dB 10.000 dB/



### CH1 MARKER LIST

1:	140.000MHz	-25.277	dB
2:	146.166MHz	-6.557	dB
3:	133.800MHz	-6.379	dB
4:	90.000MHz	-0.186	dB
5:	190.000MHz	-0.230	dB

### CH2 MARKER LIST

1:	140.000MHz	-2.428	dB
2:	146.166MHz	-5.500	dB
3:	133.800MHz	-5.456	dB
4:	90.000MHz	-70.809	dB
5:	190.000MHz	-67.202	dB