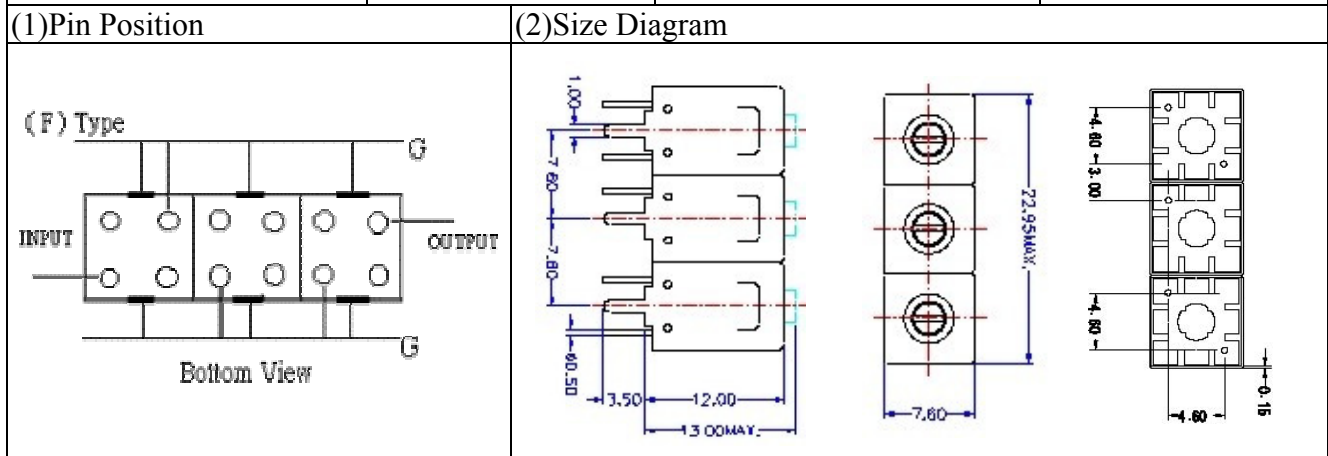


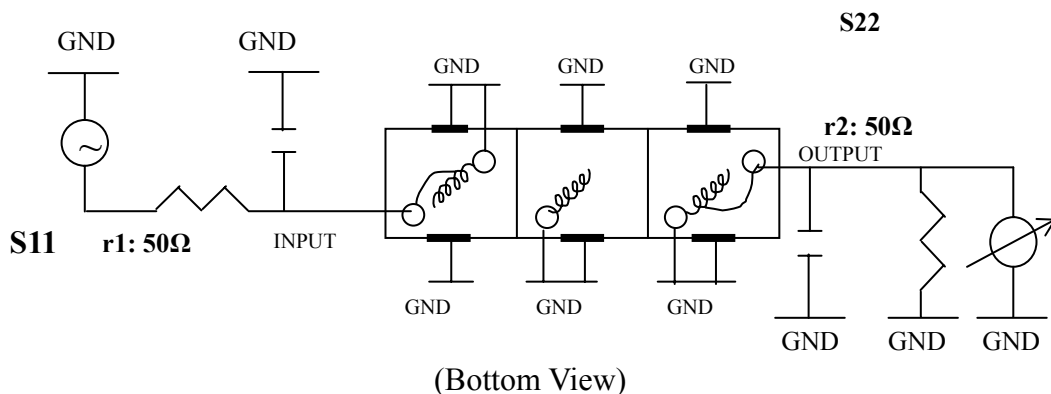
# VHF UHF Helical Filter Specification Sheet

Customer Name		Temwell's Part No.	TT6326F-557M
Approval No. /dated	201111103CD	Temwell's print name	6326F 557M
Work Instruction No.	201111103CD	Date	Nov.11.2011



(3) Electric Charasteric		Item	Specify
Center Freq.(Fo ) +/- 0.5 %			557 MHz
Insertion Loss		Typ.	6.0 dB
-3 dB Bandwidth		Typ.	6 MHz
Sensitivity (Attenuation )	Fo - 15 MHz	Typ.	28 dB
	Fo + 15 MHz	Typ.	23 dB
	Fo - ( )MHz	Typ.	dBc
	Fo +( )MHz	Typ.	dBc
Return Loss		Min.	12 dB
Ripple			< 1 dB
Impedance			In / Out : 50 Ω
(4) Torque for Tuning Screw			> 60gf cm
(5) Temperature Condition:			
Operating Temperature			0 ~ +60
Storage Temperature			-20 ~ +70
(6) Input Power			> 1Watt

(7) Measuring Circuit: Easy to match Impedance S11/S22 50Ω by parallel with about( --) / ( -- ).



Approval C.Y.Chang	Supervisor C.K.Chang	Designer C.S.Chang	Aperture size 7H3S(4*5.5)(5.58) 7H046LB4.3 聚 3
-----------------------	-------------------------	-----------------------	--

TEMWELL CORPORATION

# Performance-TT6326F-557M

## 20111103CD

