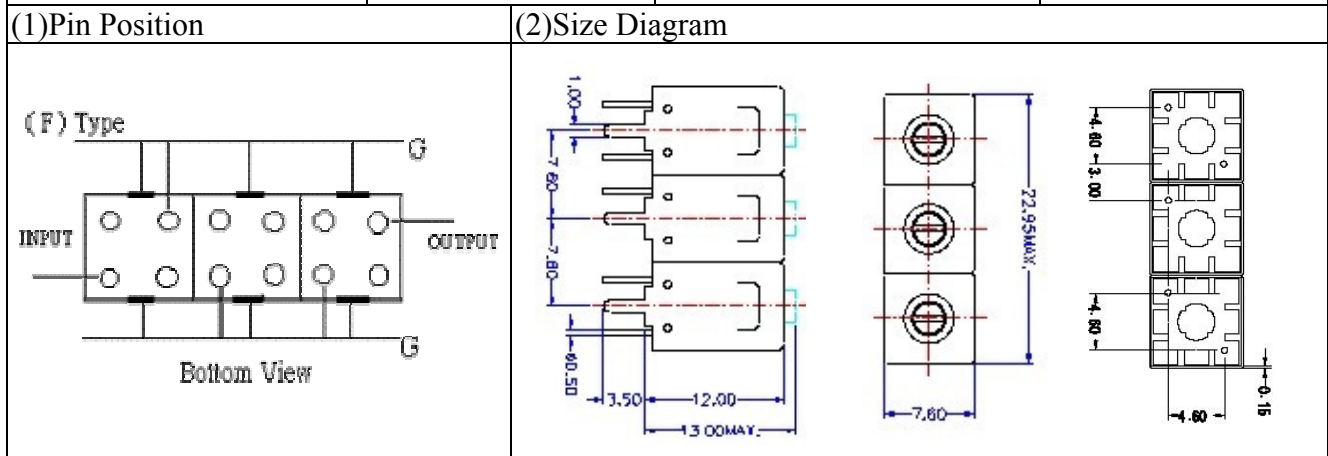


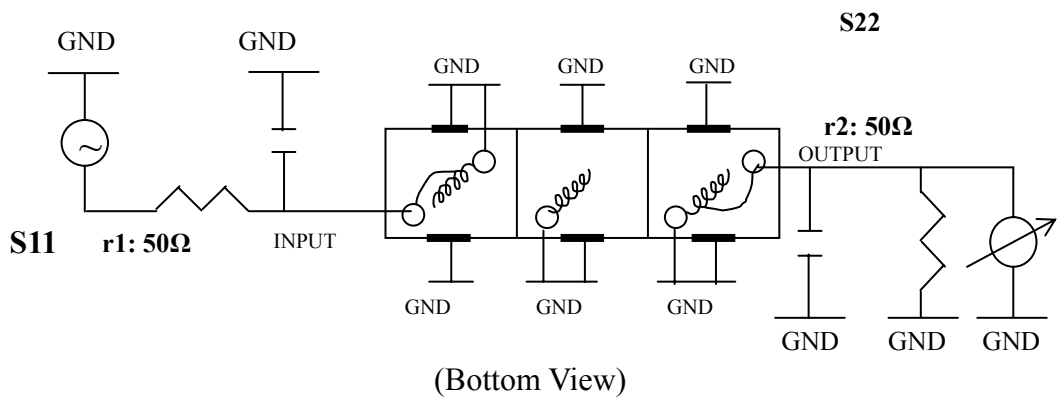
VHF UHF Helical Filter Specification Sheet

| | | | |
|----------------------|-------------|----------------------|---------------|
| Customer Name | | Temwell's Part No. | TT6328F-593M |
| Approval No. /dated | 201111106CD | Temwell's print name | 6328F 593M |
| Work Instruction No. | 201111106CD | Date | Nov.11.2011 |



| (3) Electric Charasteric | | Item | Specify |
|-------------------------------|-------------|------|-----------------|
| Center Freq.(Fo) +/- 0.5 % | | | 593 MHz |
| Insertion Loss | | Typ. | 6.0 dB |
| -3 dB Bandwidth | | Typ. | 6 MHz |
| Sensitivity (Attenuation) | Fo - 15 MHz | Typ. | 26 dB |
| | Fo + 15 MHz | Typ. | 20 dB |
| | Fo - ()MHz | Typ. | dBc |
| | Fo +()MHz | Typ. | dBc |
| Return Loss | | Min. | 12 dB |
| Ripple | | | < 1 dB |
| Impedance | | | In / Out : 50 Ω |
| (4) Torque for Tuning Screw | | | > 60gf cm |
| (5) Temperature Condition: | | | |
| Operating Temperature | | | 0 ~ +60 |
| Storage Temperature | | | -20 ~ +70 |
| (6) Input Power | | | > 1Watt |

(7) Measuring Circuit: Easy to match Impedance S11/S22 50Ω by parallel with about(--) / (--).



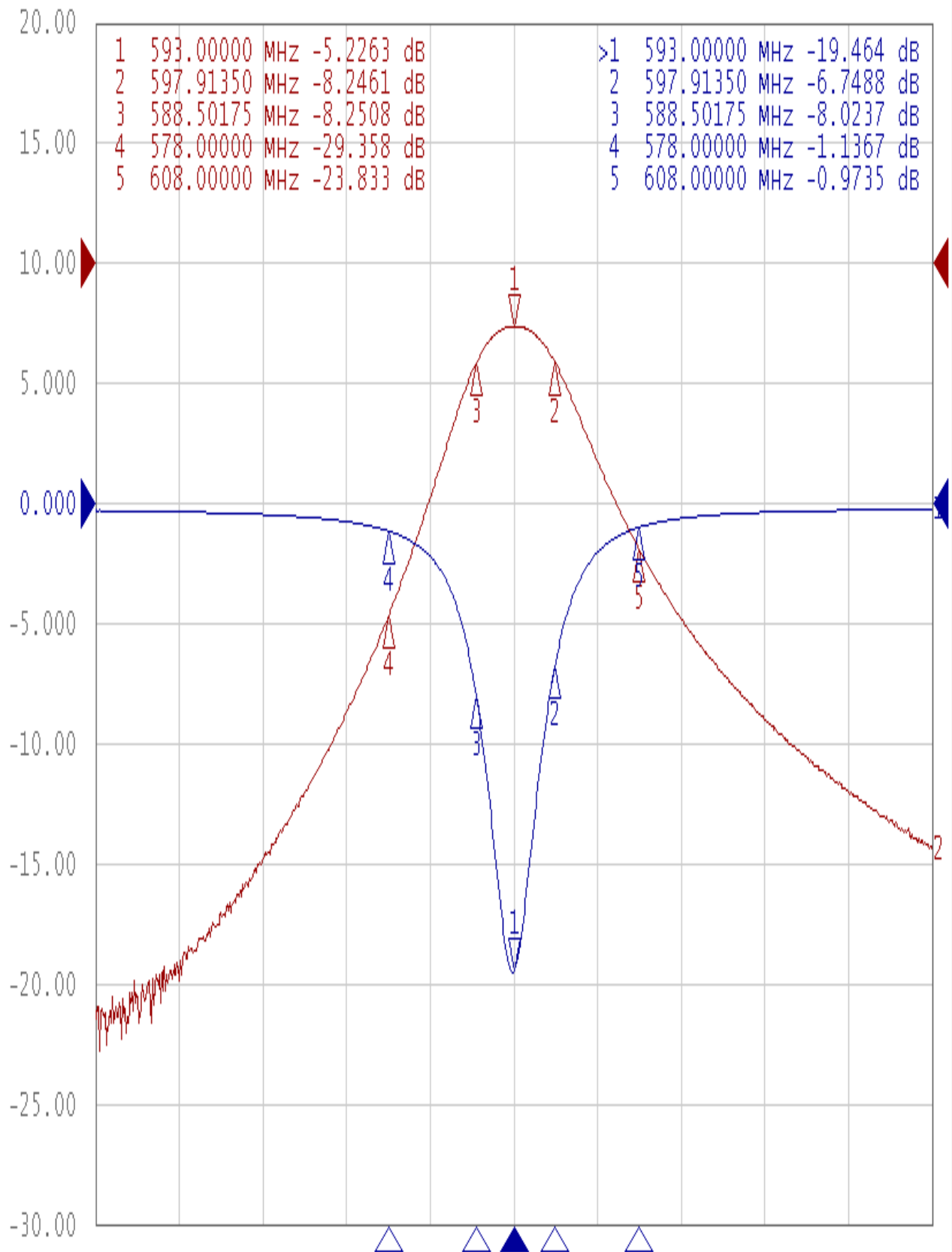
| | | | |
|-----------------------|-------------------------|-----------------------|--|
| Approval C.Y.Chang | Supervisor C.K.Chang | Designer C.S.Chang | Aperture size 7H3S(4*5.5)(5.58) 7H046LB4.3 聚 3 |
|-----------------------|-------------------------|-----------------------|--|

TEMWELL CORPORATION

Performance-TT6328F-593M

20111106CD

Tr1 S11 Log Mag 5.000dB/ Ref 0.000dB [F2]
Tr2 S21 Log Mag 10.00dB/ Ref 0.000dB [F2]



1 Center 593 MHz

IFBW 10 kHz

Span 100 MHz Cor !