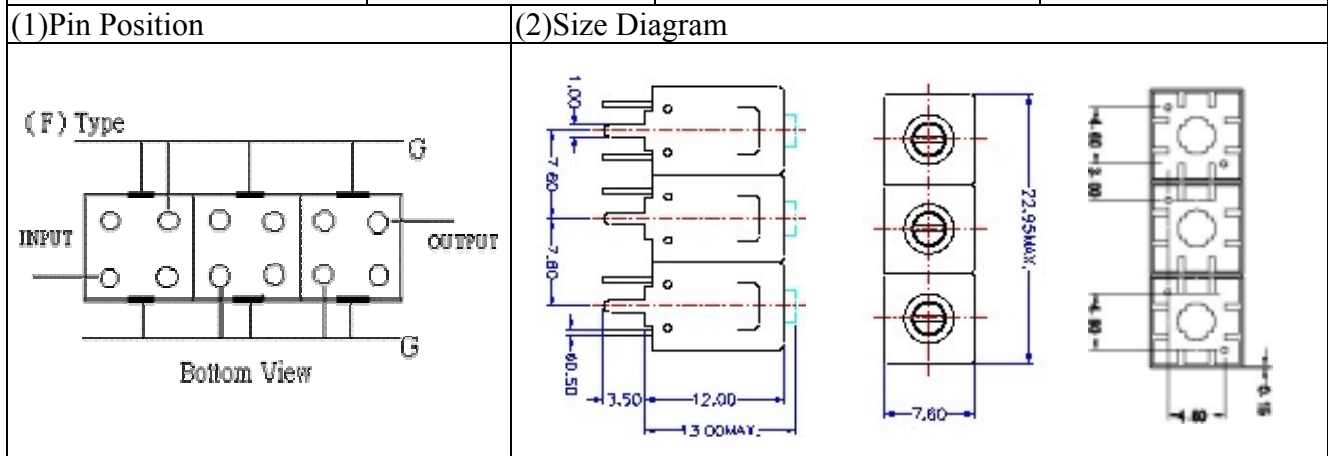
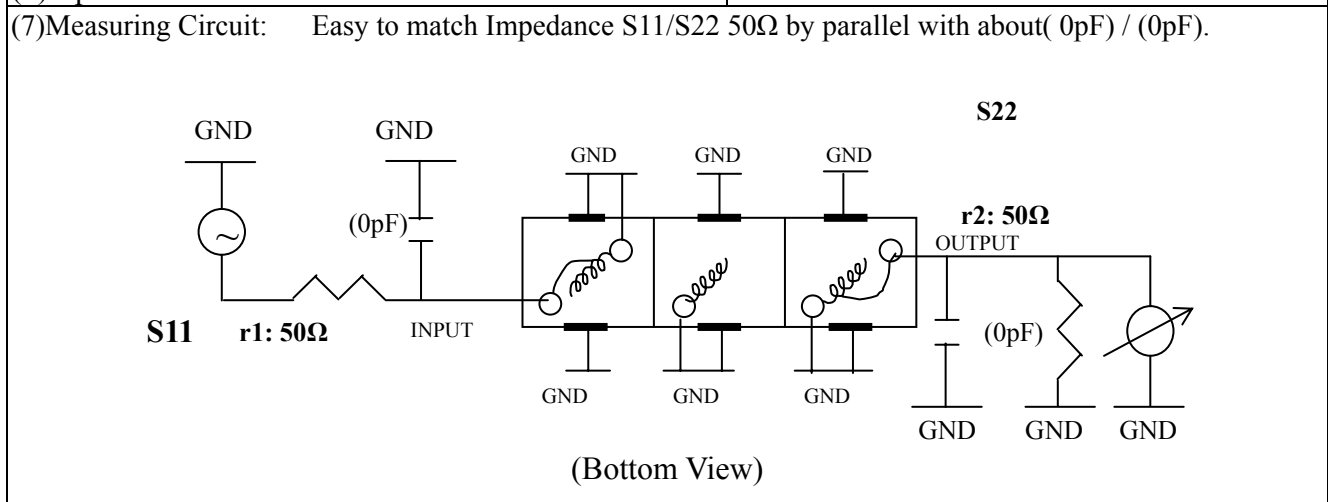


VHF UHF Helical Filter Specification Sheet

Customer Name		Temwell's Part No.	TT63336F-575M
Approval No. /dated	0905017CD	Temwell's print name	63336F 575M
Work Instruction No.	200905017CD	Date	Jun.08.2009



(3) Electric Charasteric	
Item	Specify
Center Freq.(Fo) +/- 0.5 %	575 MHz
Insertion Loss	Typ. 1.5 dB
-3 dB Bandwidth	Typ. 120 MHz
Sensitivity (Attenuation)	Fo - 200 MHz Typ. 43 dBc
	Fo + 200 MHz Typ. 25 dBc
	Fo - ()MHz Typ. dBc
	Fo +()MHz Typ. dBc
Return Loss	Min. 12 dB
Ripple	< 1 dB
Impedance	In / Out : 50 Ω
(4) Torque for Tuning Screw > 100gf cm	
(5) Temperature Condition:	
Operating Temperature	0 ~ +60
Storage Temperature	-20 ~ +70
(6) Input Power > 1Watt	



Approval C.Y.Chang	Supervisor C.K.Chang	Designer C.S.Chang	Aperture size 7H3(4*7.5F)(7.52) 7H046RB6.5
-----------------------	-------------------------	-----------------------	--

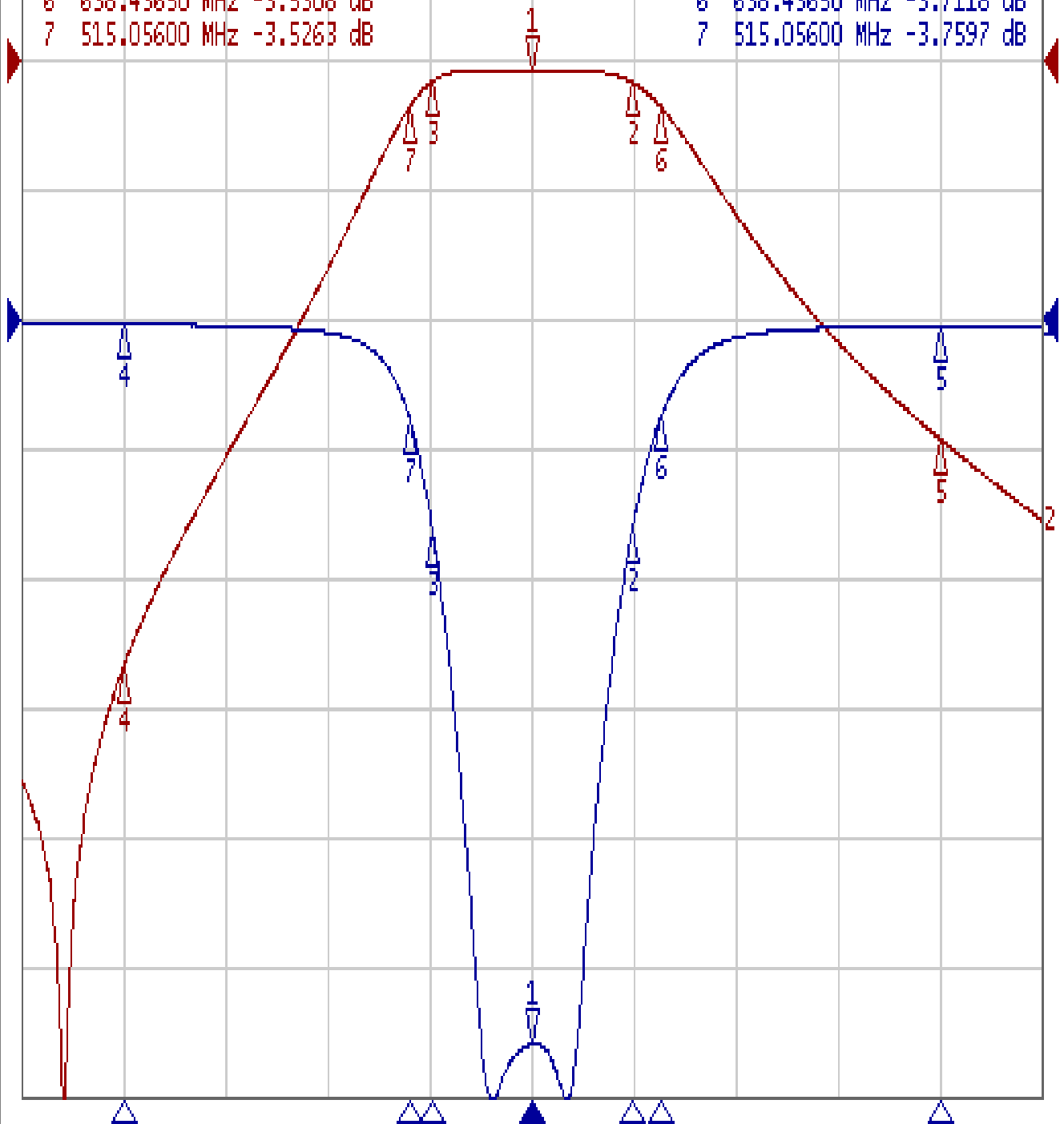
TEMWELL CORPORATION

Performance- TT63336F-575M

200905017CD

Tr1 S11 Log Mag 5.000dB/ Ref 0.000dB [F3]
Tr2 S21 Log Mag 10.00dB/ Ref 0.000dB [F3]

1	575.00000 MHz	-0.5850 dB	>1	575.00000 MHz	-27.979 dB
2	624.44713 MHz	-1.6053 dB	2	624.44713 MHz	-8.0442 dB
3	526.46588 MHz	-1.5318 dB	3	526.46588 MHz	-8.1382 dB
4	375.00000 MHz	-46.802 dB	4	375.00000 MHz	-0.1631 dB
5	775.00000 MHz	-29.132 dB	5	775.00000 MHz	-0.2753 dB
6	638.43650 MHz	-3.5308 dB	6	638.43650 MHz	-3.7118 dB
7	515.05600 MHz	-3.5263 dB	7	515.05600 MHz	-3.7597 dB



1 Center 575 MHz

IFBW 10 kHz

Span 500 MHz

