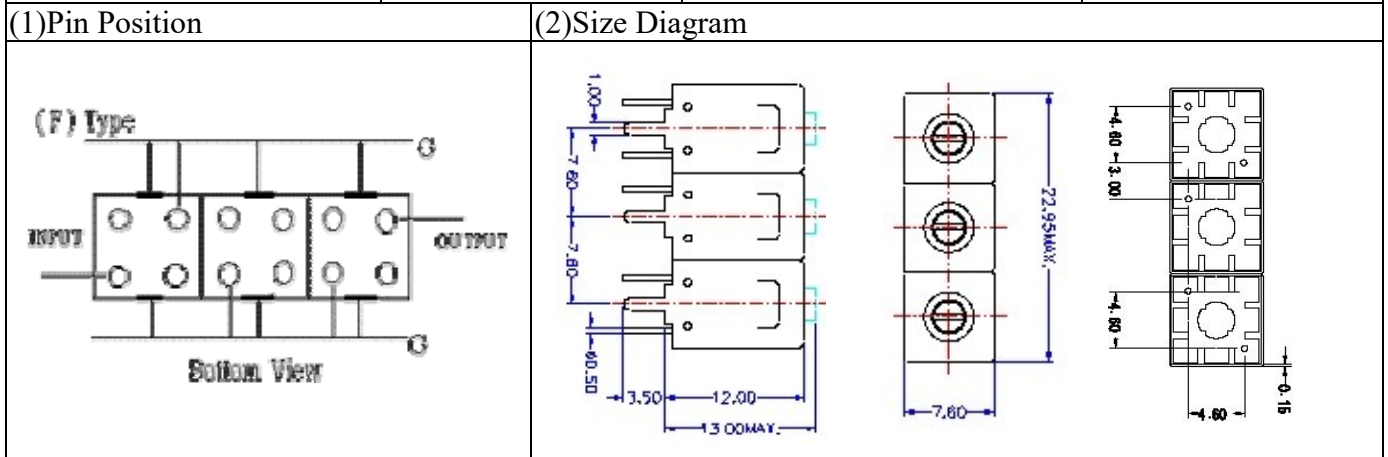
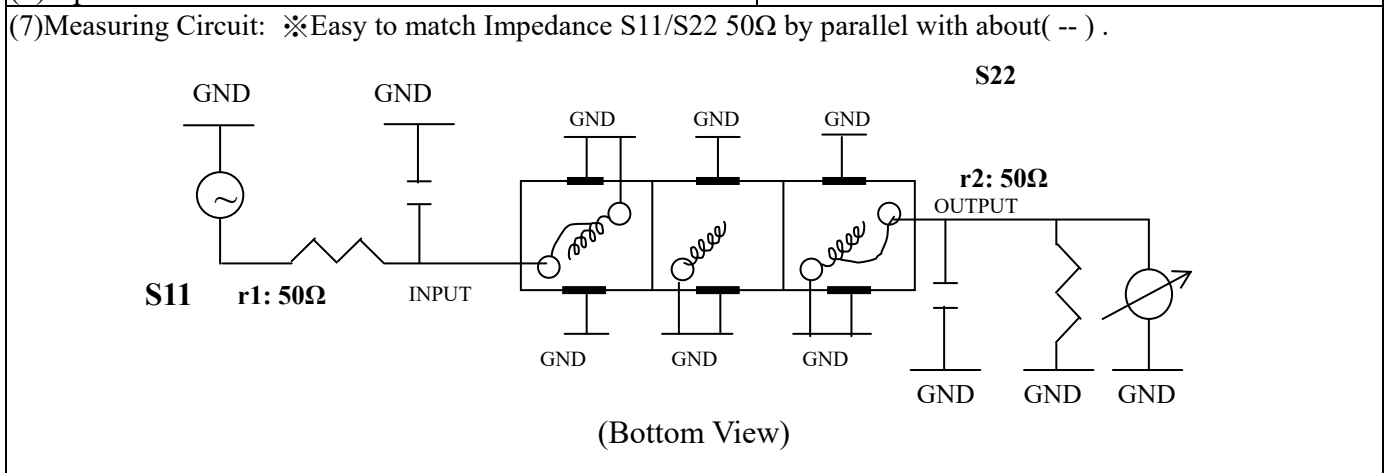


VHF UHF Helical Filter Specification Sheet

Customer Name		Temwell's Part No.	TT63337F-745M
Approval No. /dated		Temwell's print name	63337F 745M
Work Instruction No.	201411024C	Date	Nov.14.2014



(3) Electric Chararctic		Item	Specify
Center Freq.(Fo) +/- 0.5 %			745 MHz
Insertion Loss		Typ.	1.5 dB
-3 dB Bandwidth		Typ.	120 Hz
Sensitivity (Attenuation)	Fo - 150 MHz	Typ.	25 dBc
	Fo + 150 MHz	Typ.	21 dBc
	Fo - ()MHz	Typ.	dBc
	Fo +()MHz	Typ.	dBc
Return Loss		Min.	12 dB
Ripple			< 1 dB
Impedance			In / Out : 50 Ω
(4) Torque for Tuning Screw			> 60gf · cm
(5) Temperature Condition:			
Operating Temperature			0°C ~ +60°C
Storage Temperature			-20°C ~ +70°C
(6) Input Power			> 1 Watt



Approval	Supervisor	Designer	Aperture size
C.Y.Chang	C.K.Chang	M.Y.Kang	7H3S(4*7.5)(7.55) 7H046RB6.5

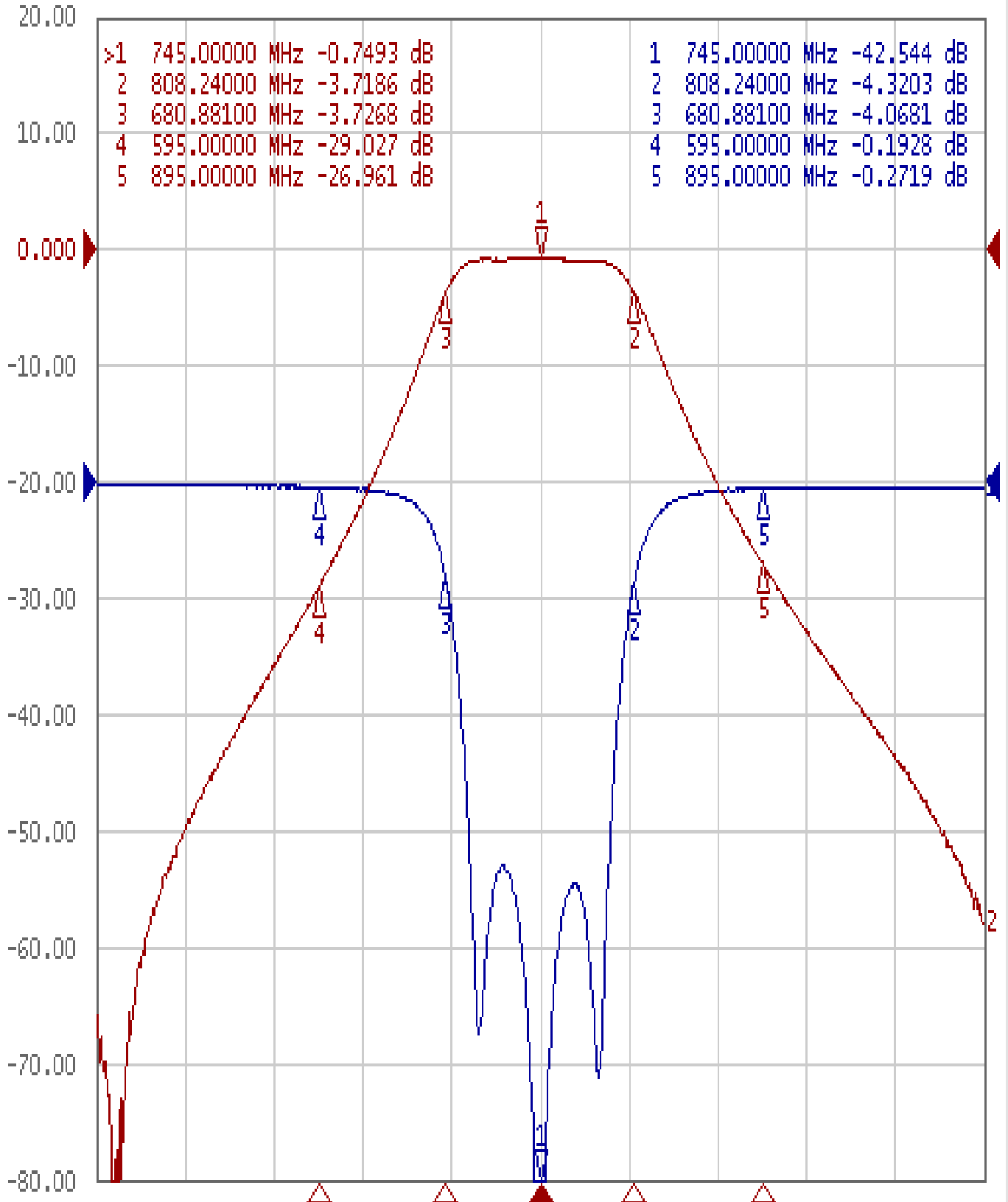
TEMWELL CORPORATION

Performance-TT63337F-745M

201411024C

Tr1 S11 Log Mag 5.000dB/ Ref 0.000dB [F2]

▶ **S21** Log Mag 10.00dB/ Ref 0.000dB [F2]



1 Center 745 MHz

IFBW 70 kHz

Span 600 MHz Cor !