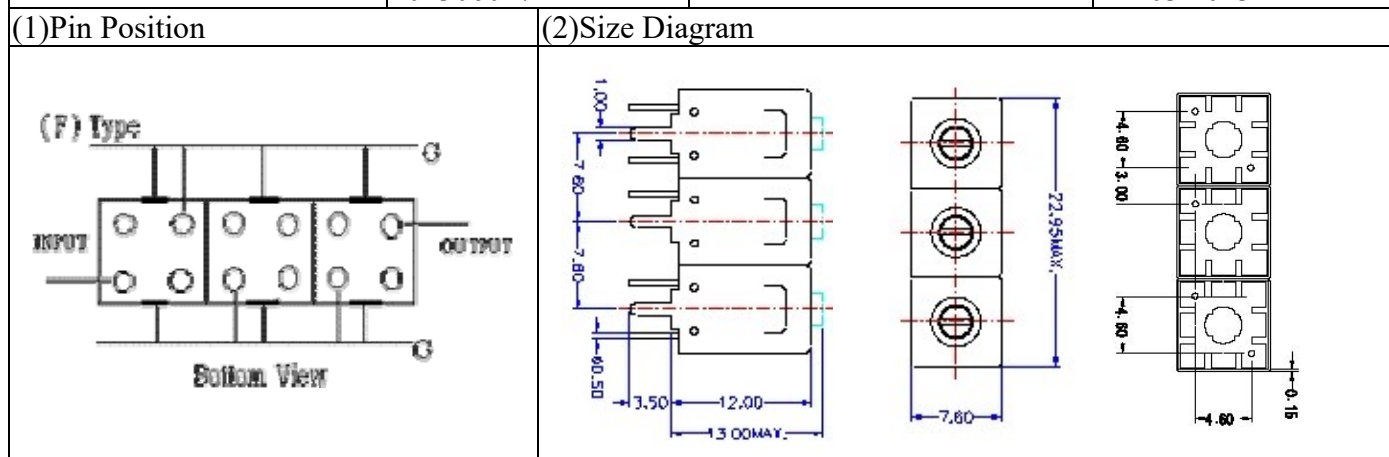


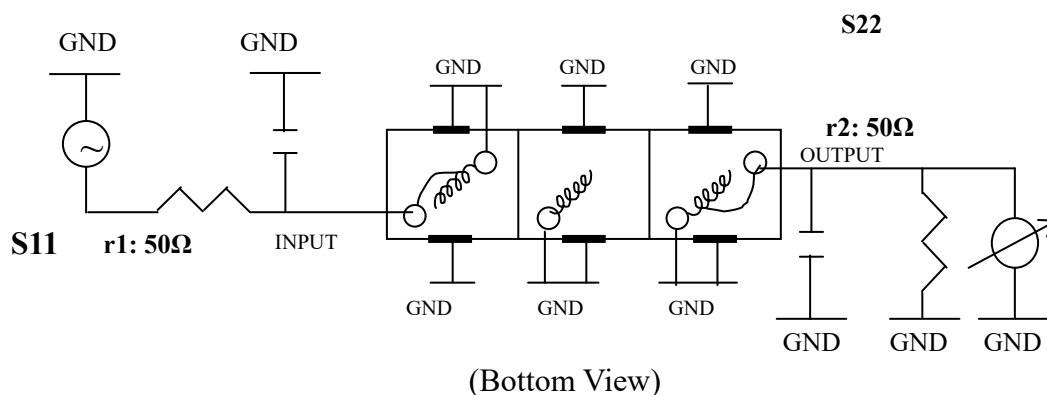
VHF UHF Helical Filter Specification Sheet

Customer Name		Temwell's Part No.	TT63339F-1150M
Approval No. /dated		Temwell's print name	63339F 1150M
Work Instruction No.	201306027B	Date	Jun.03.2013



(3) Electric Chararistic		Item	Specify
Center Freq.(Fo) +/- 0.5 %			1150 MHz
Insertion Loss		Typ.	2.0 dB
-3 dB Bandwidth		Typ.	120 MHz
Sensitivity (Attenuation)	Fo - 200 MHz	Typ.	28 dBc
	Fo + 200 MHz	Typ.	24 dBc
	Fo - ()MHz	Typ.	dBc
	Fo +()MHz	Typ.	dBc
Return Loss		Min.	12 dB
Ripple			< 1 dB
Impedance			In / Out : 50 Ω
(4) Torque for Tuning Screw			> 60gf · cm
(5) Temperature Condition:			
Operating Temperature			0°C ~ +60°C
Storage Temperature			-20°C ~ +70°C
(6) Input Power			> 1Watt

(7) Measuring Circuit: ※Easy to match Impedance S11/S22 50Ω by parallel with about(--)



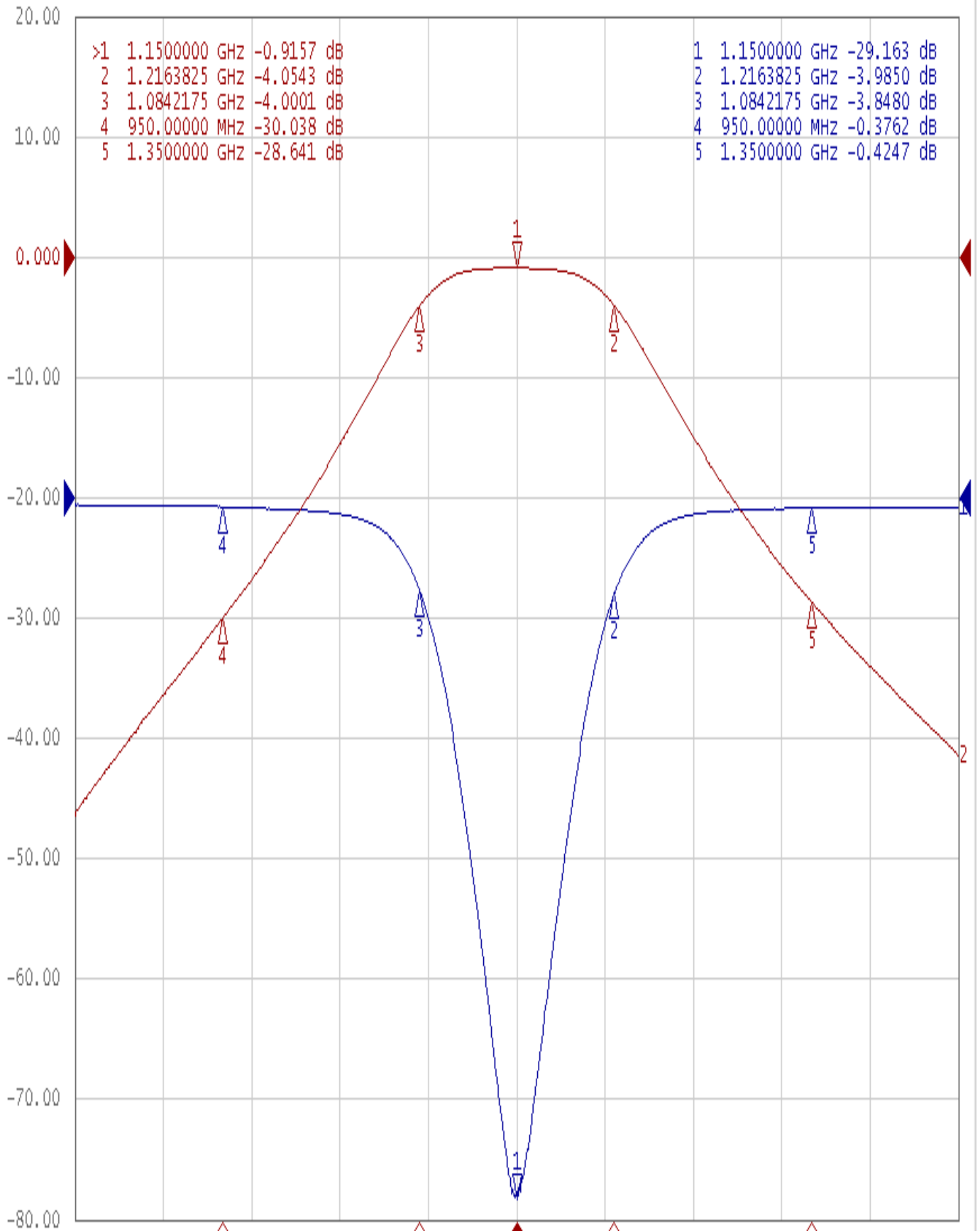
Approval	Supervisor	Designer	Aperture size
C.Y.Chang	C.S.Chang	F.L.Lai	7H3S(4*6.5)(6.59) 7H046RB6.5

TEMWELL CORPORATION

Performance-TT63339F-1150M

201306027B

Tr1 S11 Log Mag 5.000dB/ Ref 0.000dB [F2]
Tr2 S21 Log Mag 10.00dB/ Ref 0.000dB [F2]



1 Center 1.15 GHz

IFBW 70 kHz

Span 600 MHz Cor |