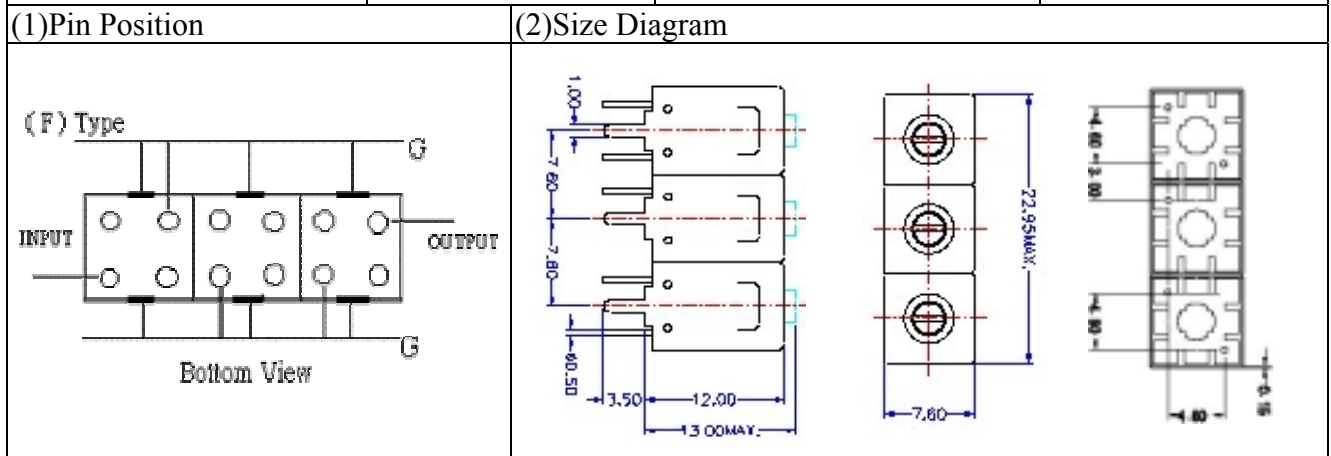
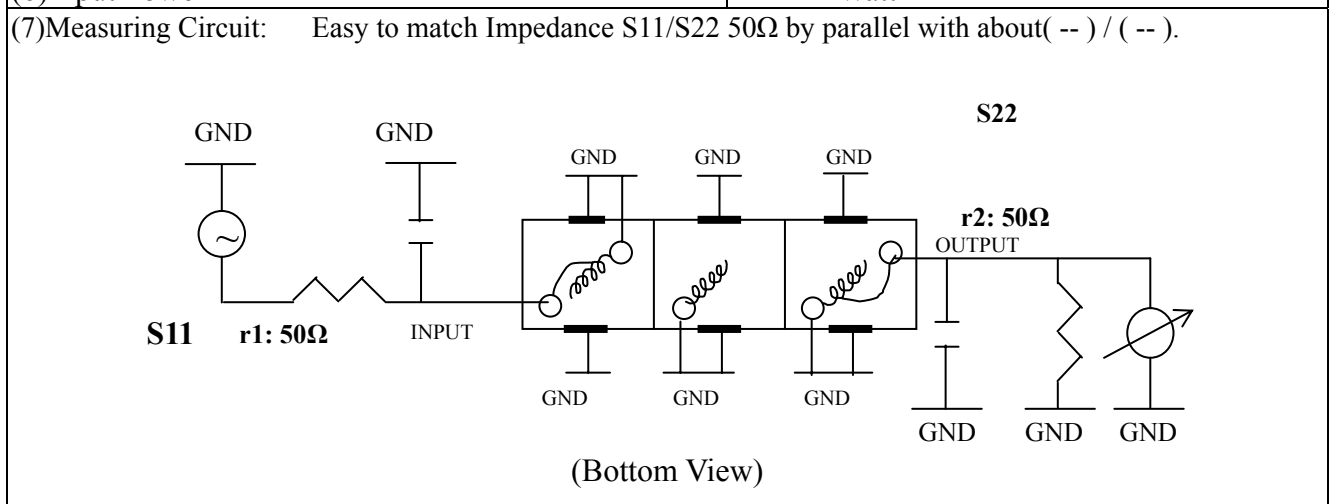


VHF UHF Helical Filter Specification Sheet

Customer Name		Temwell's Part No.	TT63348F-805M
Approval No. /dated	201004087CD	Temwell's print name	63348F 805M
Work Instruction No.	201004087CD	Date	Dec.22.2010



(3) Electric Charasteric		Item	Specify
Center Freq.(Fo) +/- 0.5 %			805 MHz
Insertion Loss		Typ.	2.0 dB
-3 dB Bandwidth		Typ.	140 MHz
Sensitivity (Attenuation)	Fo - 200 MHz	Typ.	29 dBc
	Fo + 200 MHz	Typ.	26 dBc
	Fo - ()MHz	Typ.	dBc
	Fo +()MHz	Typ.	dBc
Return Loss		Min.	12 dB
Ripple			< 1 dB
Impedance			In / Out : 50 Ω
(4)Torque for Tuning Screw			> 60gf cm
(5)Temperature Condition:			
Operating Temperature			0 ~ +60
Storage Temperature			-20 ~ +70
(6)Input Power			> 1Watt



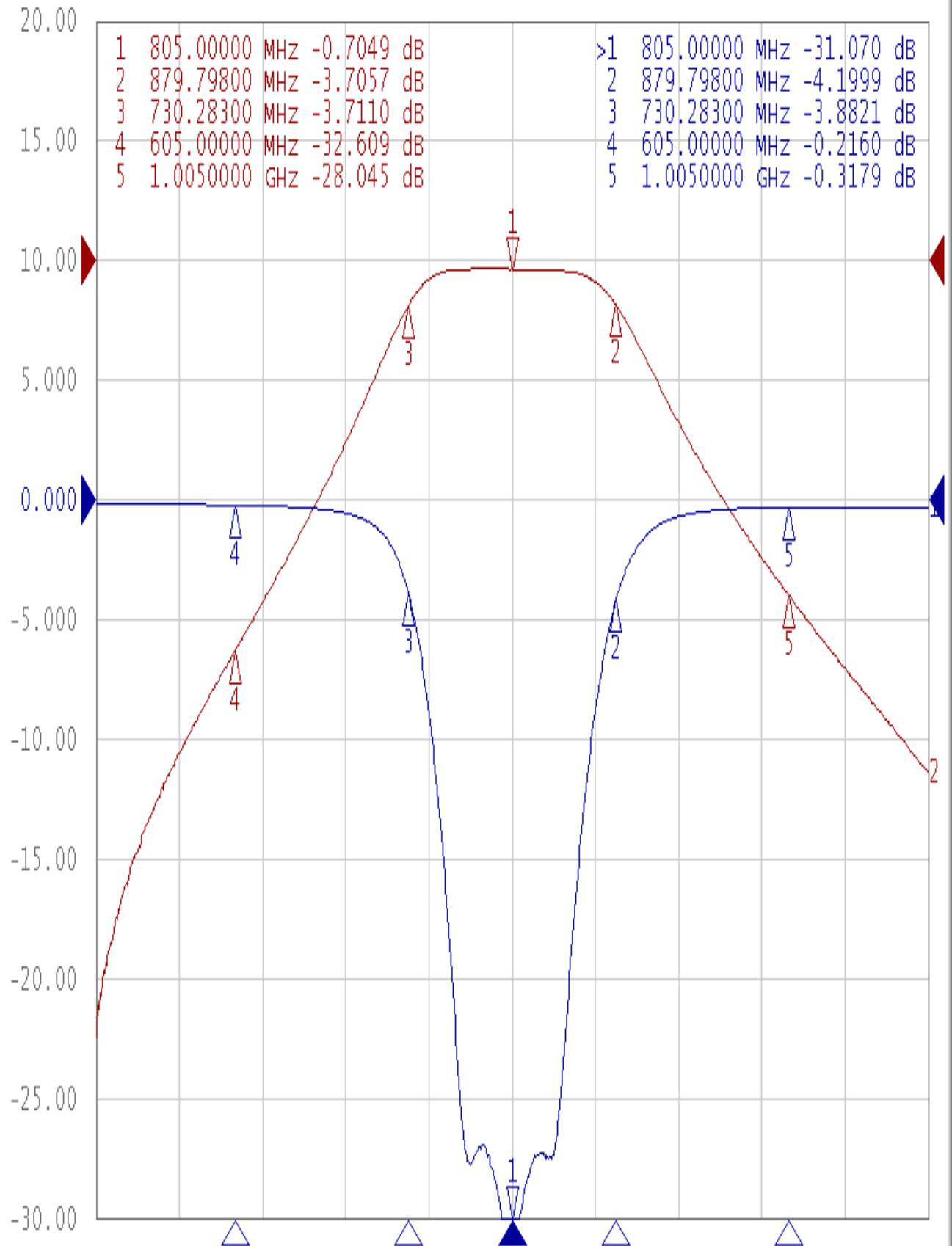
Approval C.Y.Chang	Supervisor C.K.Chang	Designer C.S.Chang	Aperture size 7H3S(4*8.0)(8.02) 7H046RB6.5
TEMWELL CORPORATION			

Performance-TT63348F-805M

201004087CD

▶ Tr1 S11 Log Mag 5.000dB/ Ref 0.000dB [F2]

Tr2 S21 Log Mag 10.00dB/ Ref 0.000dB [F2]



1 Center 805 MHz

IFBW 10 kHz

Span 600 MHz Cor !