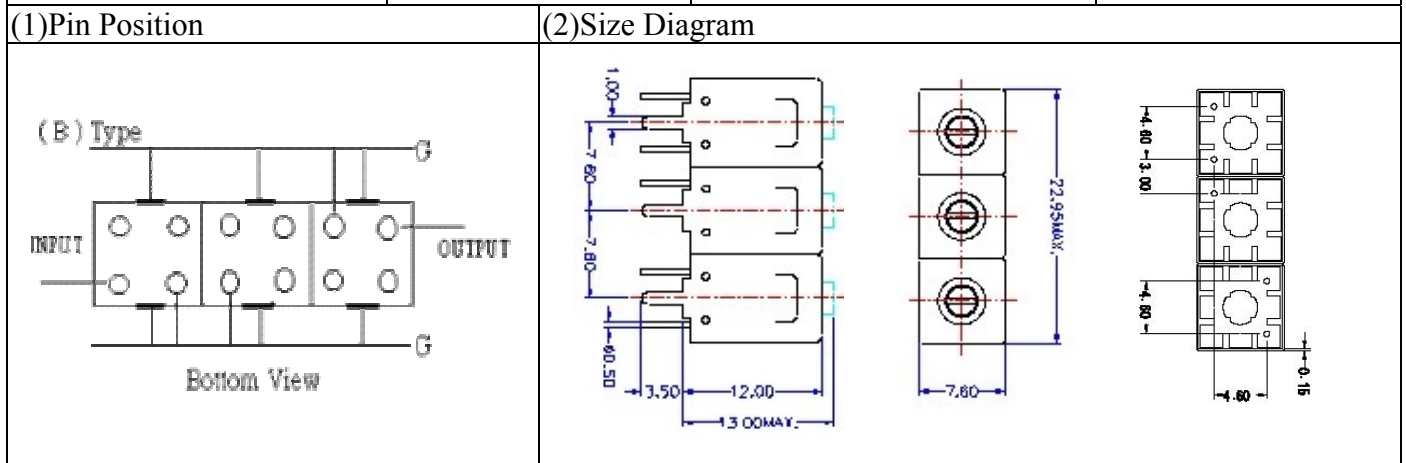


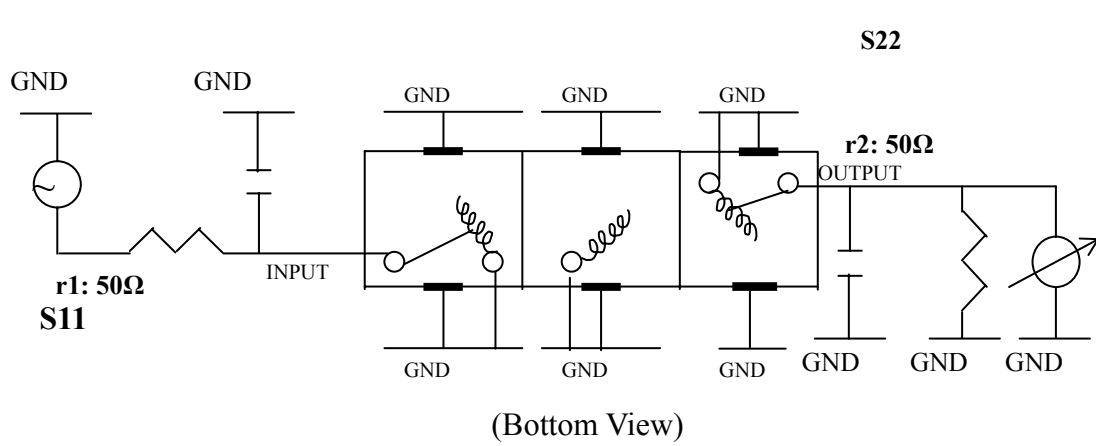
VHF UHF Helical Filter Specification Sheet

Customer Name		Temwell's Part No.	TT63365B-1200M
Approval No. /dated		Temwell's Print name.	63365B 1200M
Work Instruction No.	201504049C	Date	Feb.18.2016



(3) Electric Characteristic	
Item	Specify
Center Freq.(Fo) +/- 0.5 %	1200 MHz
Insertion Loss	Typ. 2.0 dB
-3 dB Bandwidth	Typ. 120 MHz
Sensitivity (Attenuation)	Fo - (200) MHz Typ. 35 dBc
	Fo + (200) MHz Typ. 15 dBc
	Fo - () MHz Typ. dBc
	Fo + () MHz Typ. dBc
Return Loss	Min. 12 dB
Ripple	< 1 dB
Impedance	In / Out : 50 Ω
(4) Torque for Tuning Screw	> 100gf cm
(5) Temperature Condition:	
Operating Temperature	0 ~ +60
Storage Temperature	-20 ~ +70
(6) Input Power	> 1Watt

(7) Measuring Circuit: Easy to match Impedance S11/S22 50Ω by parallel with about(--)



Approval C.Y.Chang	Supervisor C.K.Chang	Designer C.S.Chang	Aperture size 7H3S(4*8.0)(8.02) 7H046RB6.5
TEMWELL CORPORATION			

Performance-TT63365B-1200M

201504049C

