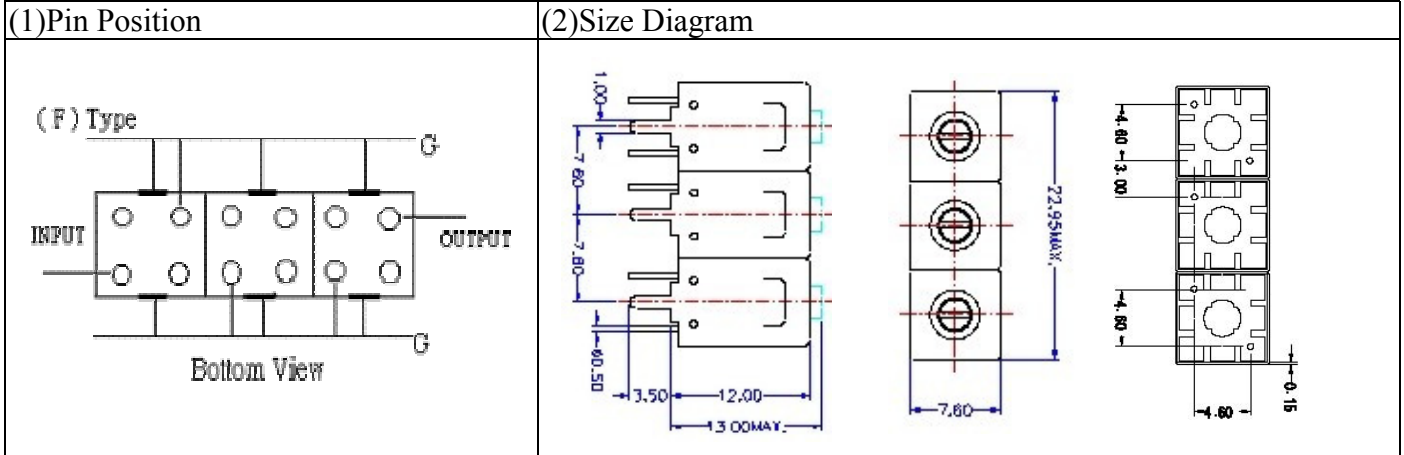


VHF UHF Helical Filter Specification Sheet

Customer Name		Temwell's Part No.	TT63384F-750M
Approval No. /dated		Temwell's print name	63384F 750M
Work Instruction No.	201504039C	Date	May.06.2015



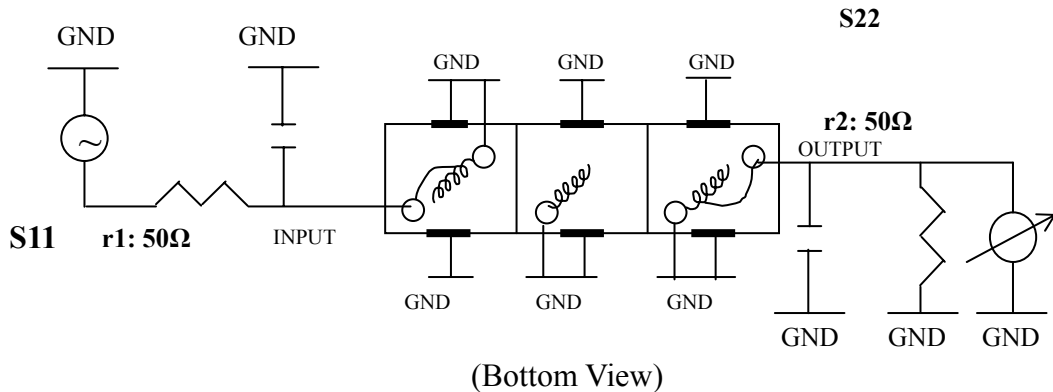
(3) Electric Chararistic	
Item	Specify
Center Freq.(Fo) +/- 0.5 %	750 MHz
Insertion Loss	Typ. 1.5 dB
-3 dB Bandwidth	Typ. 130 MHz
Sensitivity (Attenuation)	Fo - 200 MHz Typ. 34 dBc
	Fo + 200 MHz Typ. 25 dBc
	Fo - ()MHz Typ. dBc
	Fo +()MHz Typ. dBc
Return Loss	Min. 12 dB
Ripple	< 1 dB
Impedance	In / Out : 50 Ω

(4) Torque for Tuning Screw > 60gf · cm

(5) Temperature Condition:
 Operating Temperature 0°C ~ +60°C
 Storage Temperature -20°C ~ +70°C

(6) Input Power > 1Watt

(7) Measuring Circuit: ※Easy to match Impedance S11/S22 50Ω by parallel with about(--)



Approval C.Y.Chang	Supervisor C.K.Chang	Designer C.S.Chang	Aperture size 7H3S(4*8.0)(8.02) 7H046RB6.5
-----------------------	-------------------------	-----------------------	--

TEMWELL CORPORATION

Performance-TT63384F-750M

201504039C

Tr1 S11 Log Mag 5.000dB/ Ref 0.000dB [F2]
Tr2 S21 Log Mag 10.00dB/ Ref 0.000dB [F2]

